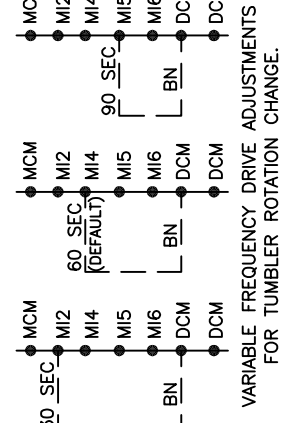
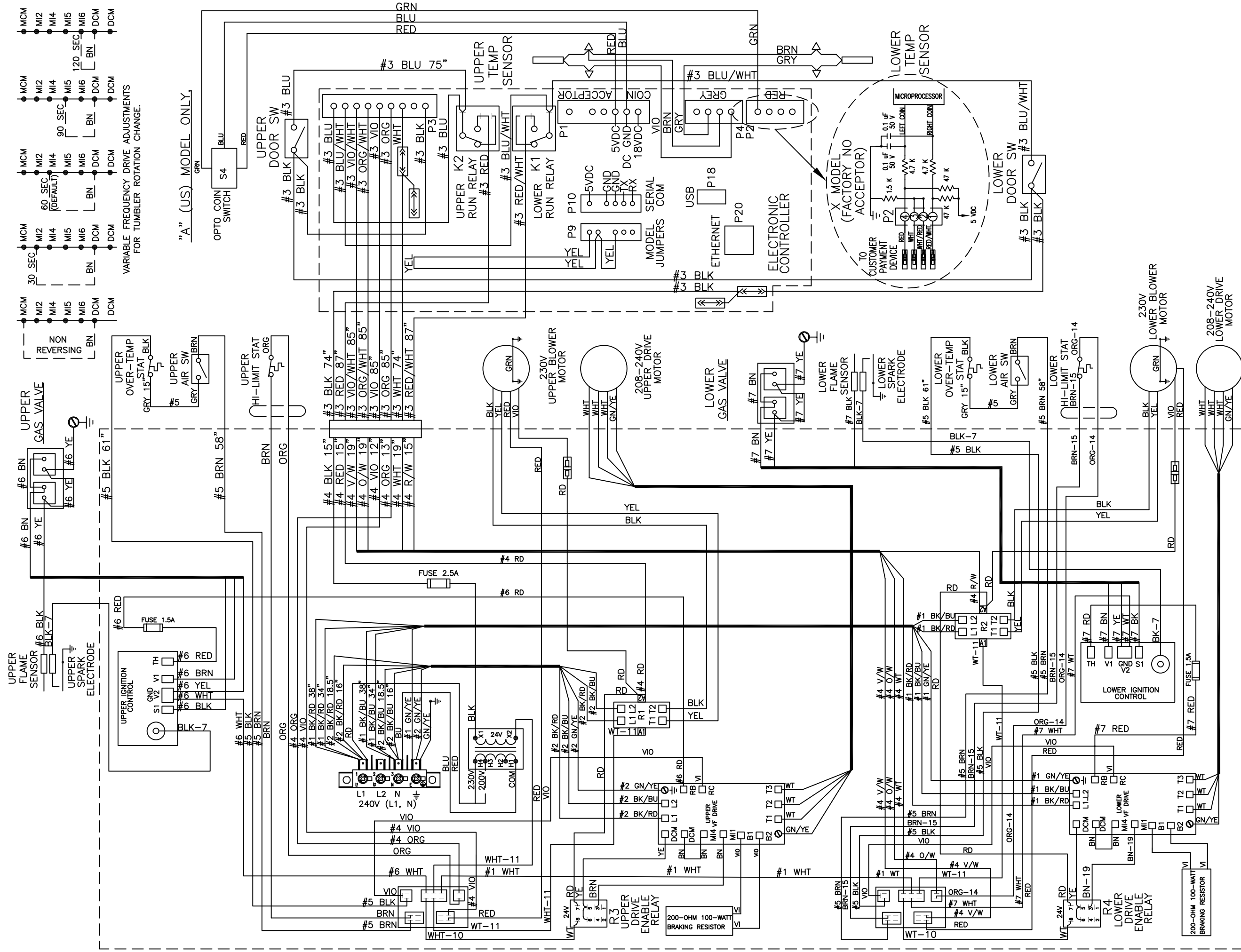


- NOTES:
1. DOOR SWITCHES ARE N.O. SWITCHES CLOSED WHEN DOOR IS CLOSED.
 2. MOTOR RUN RELAY CONTACT WILL CLOSE WHEN THE COIN COUNT IS SATISFIED, THE DOOR CLOSED AND THE START BUTTON PRESSED.
 3. REFER TO OWNERS MANUAL FOR DESCRIPTION OF OPERATION AND REQUIREMENTS FOR HEATING CIRCUIT.

SCHEMATIC DC50X2N_49_C_R
 9506-804-001 REV. B
 240V, 1 PHASE, 50 HZ

IMPORTANT: RETAIN THIS ELECTRICAL SCHEMATIC FOR SERVICE.



VARIABLE FREQUENCY DRIVE ADJUSTMENTS FOR TUMBLER ROTATION CHANGE.

"A" (US) MODEL ONLY

9506-804-001B WIRING DIAGRAM DC50X2N_-49_C_R

IMPORTANT: RETAIN THIS ELECTRICAL DIAGRAM FOR SERVICE.