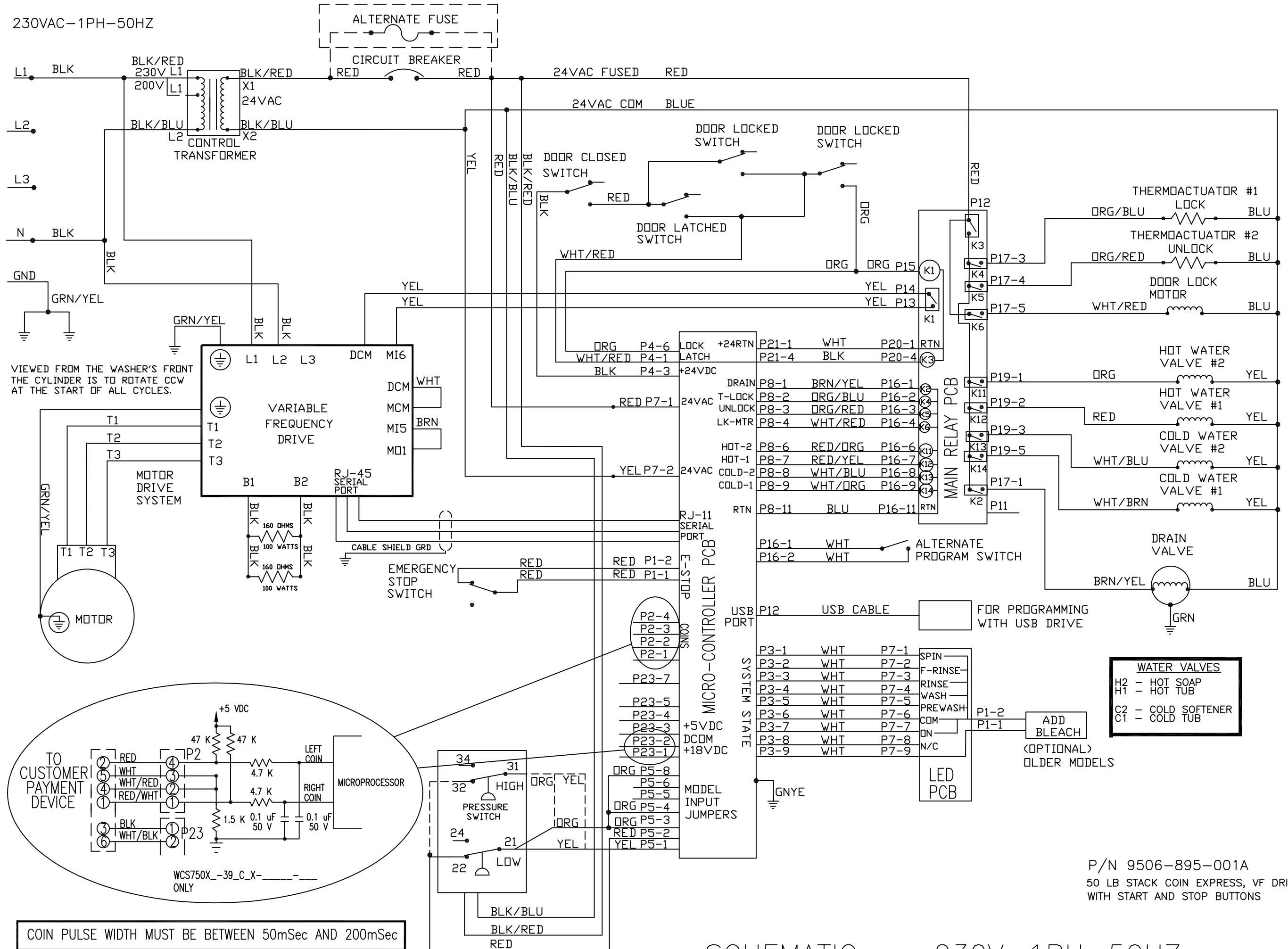
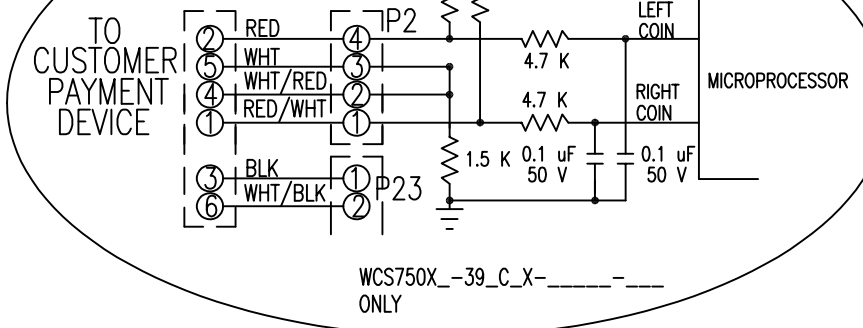


230VAC-1PH-50HZ



VIEWED FROM THE WASHER'S FRONT THE CYLINDER IS TO ROTATE CCW AT THE START OF ALL CYCLES.



COIN PULSE WIDTH MUST BE BETWEEN 50mSec AND 200mSec

WATER VALVES
 H2 - HOT SOAP
 H1 - HOT TUB
 C2 - COLD SOFTENER
 C1 - COLD TUB

ADD BLEACH
 (OPTIONAL)
 OLDER MODELS

P/N 9506-895-001A
 50 LB STACK COIN EXPRESS, VF DRIVE
 WITH START AND STOP BUTTONS

