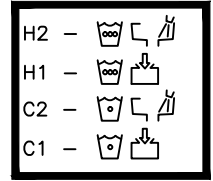
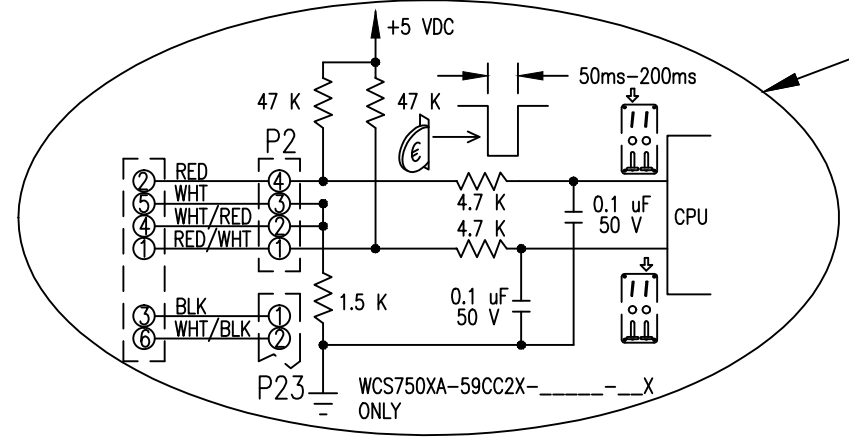
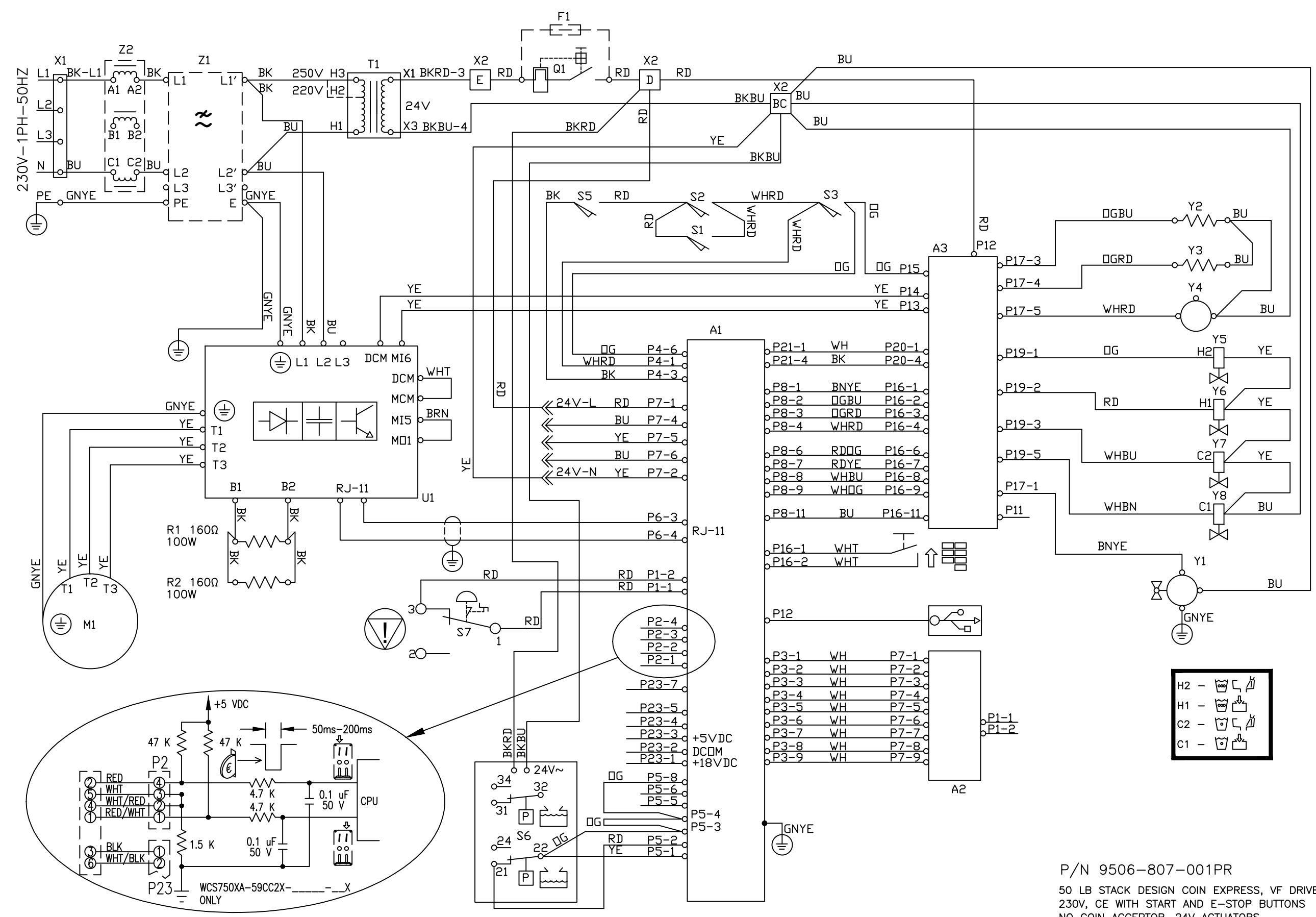
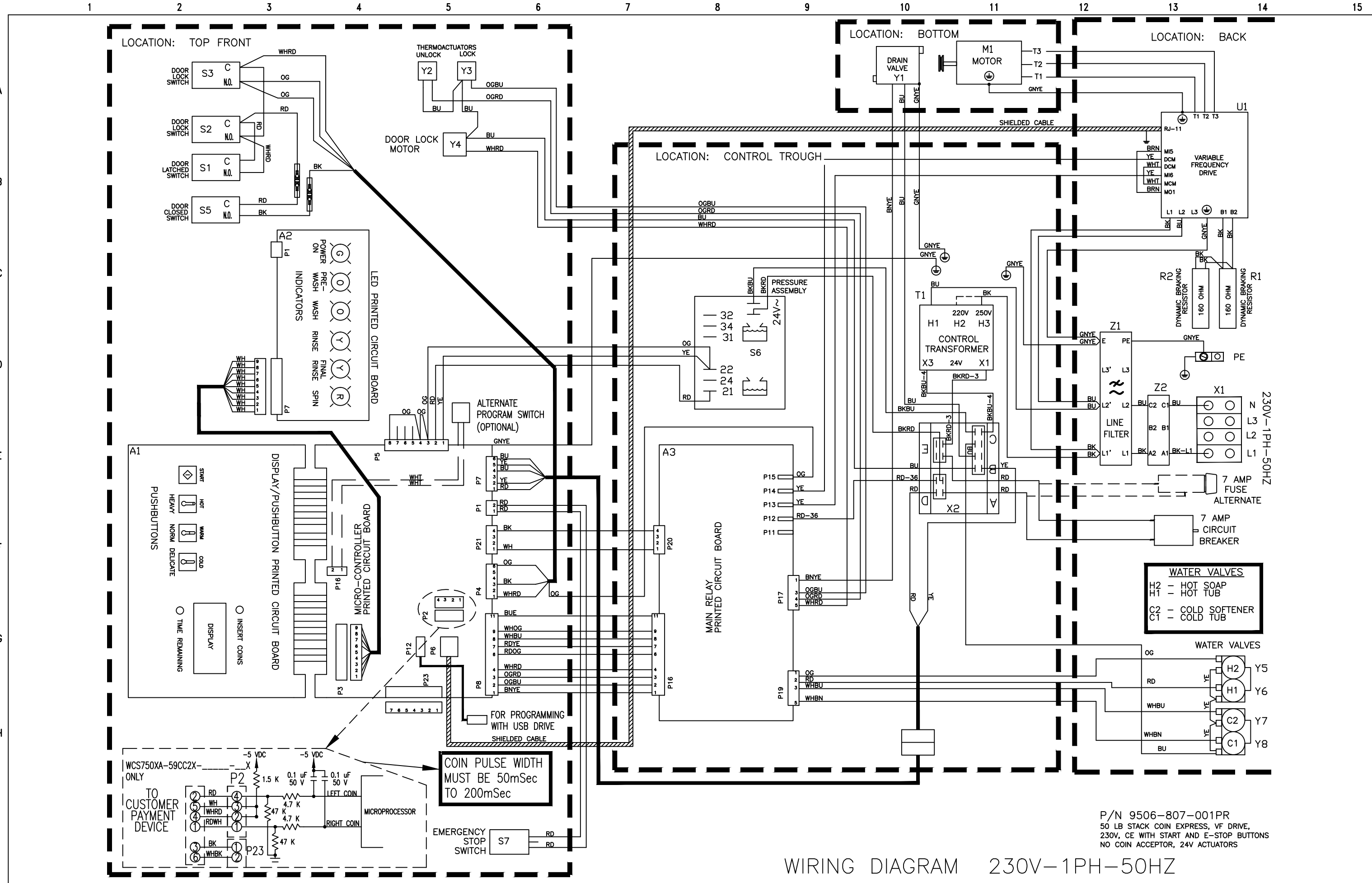


A  
B  
C  
D  
E  
F  
G  
H  
I



P/N 9506-807-001PR  
50 LB STACK DESIGN COIN EXPRESS, VF DRIVE,  
230V, CE WITH START AND E-STOP BUTTONS  
NO COIN ACCEPTOR, 24V ACTUATORS

SCHMATIC 230V-1PH-50HZ



WIRING DIAGRAM 230V-1PH-50HZ

P/N 9506-807-001PR  
 50 LB STACK COIN EXPRESS, VF DRIVE,  
 230V, CE WITH START AND E-STOP BUTTONS  
 NO COIN ACCEPTOR, 24V ACTUATORS