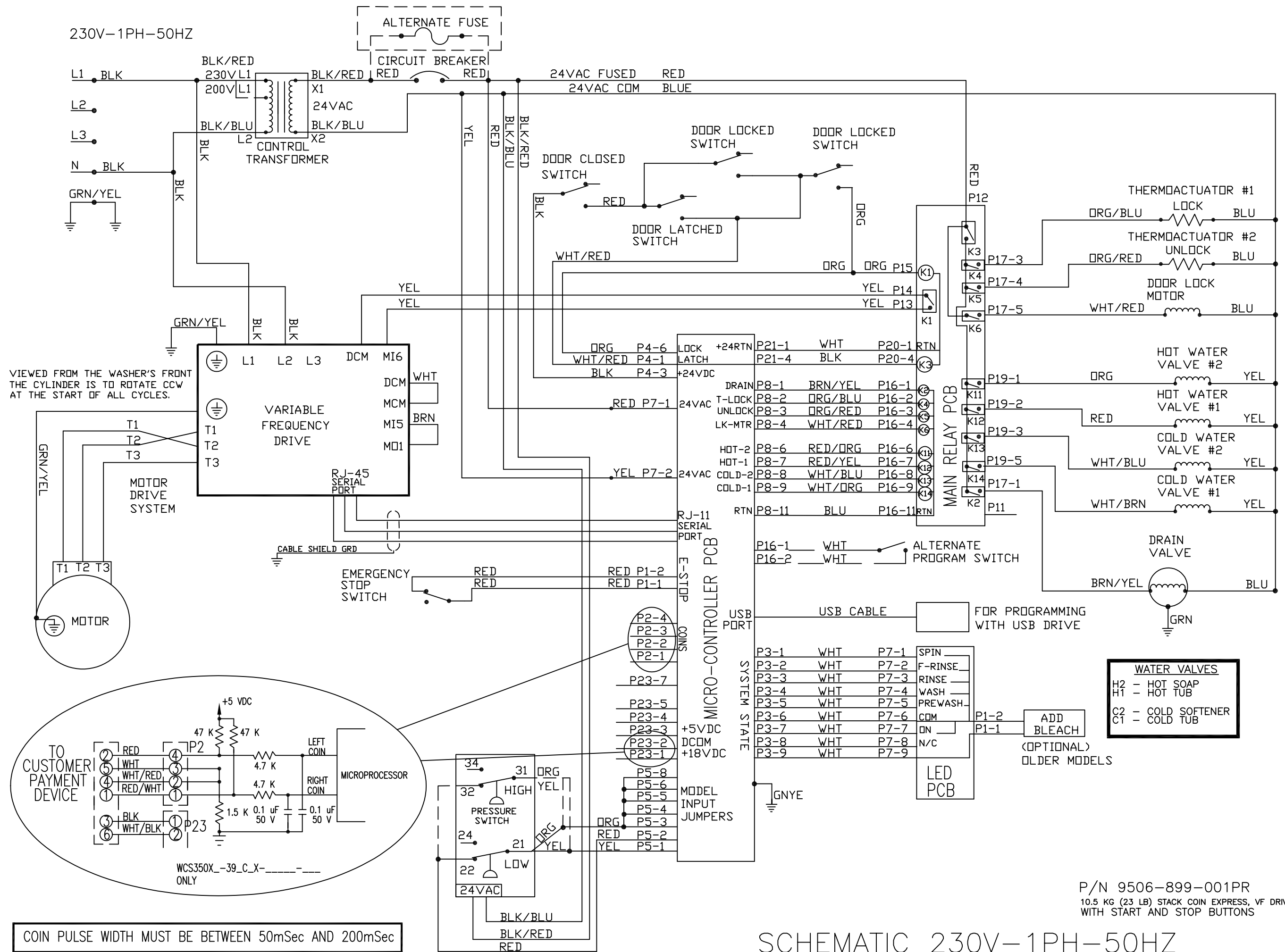
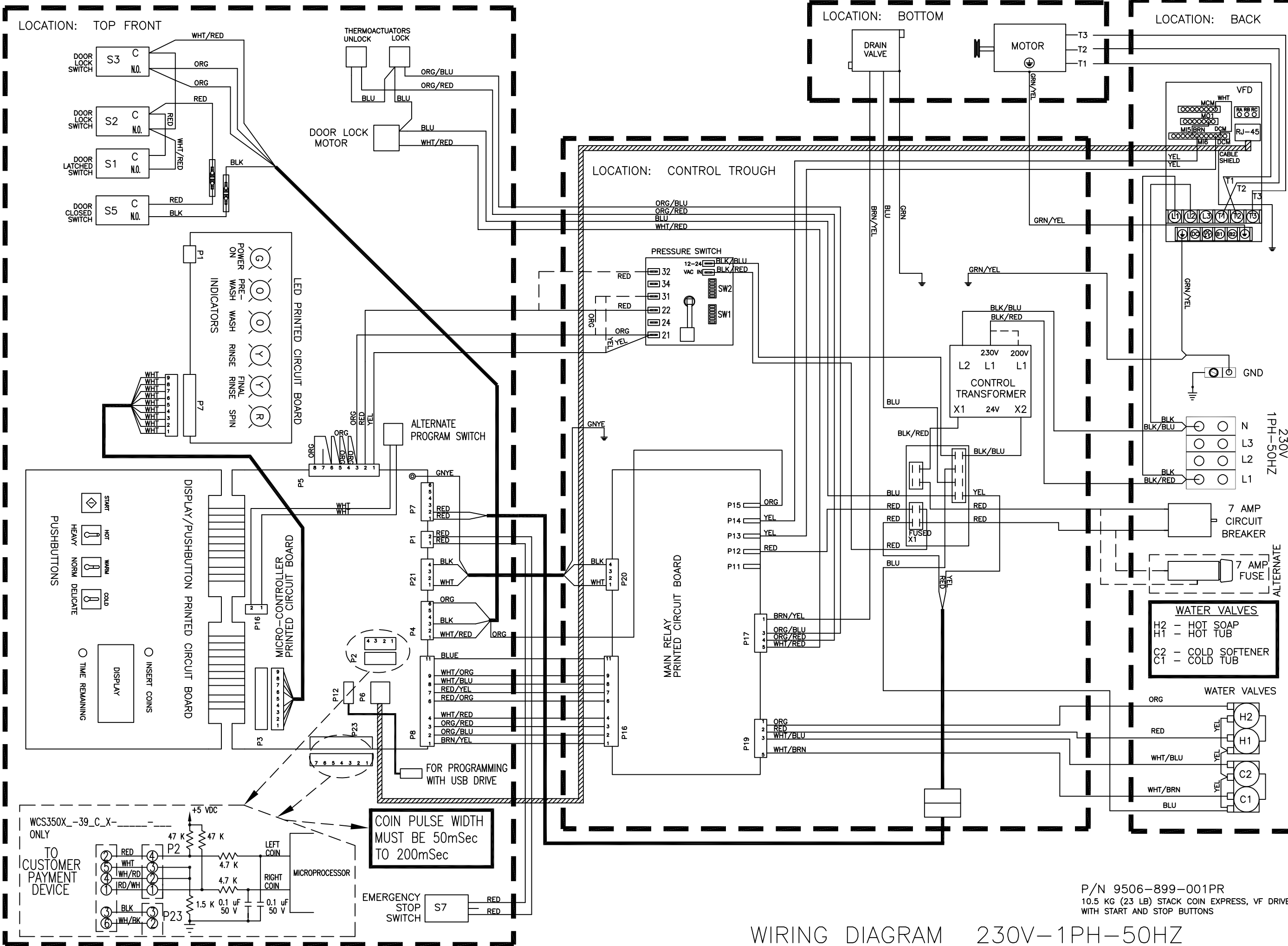


230V-1PH-50HZ



P/N 9506-899-001PR  
10.5 KG (23 LB) STACK COIN EXPRESS, VF DRIVE  
WITH START AND STOP BUTTONS

SCHEMATIC 230V-1PH-50HZ



COIN PULSE WIDTH MUST BE 50mSec TO 200mSec

**WATER VALVES**  
 H2 - HOT SOAP  
 H1 - HOT TUB  
 C2 - COLD SOFTENER  
 C1 - COLD TUB

P/N 9506-899-001PR  
 10.5 KG (23 LB) STACK COIN EXPRESS, VF DRIVE WITH START AND STOP BUTTONS

WIRING DIAGRAM 230V-1PH-50HZ