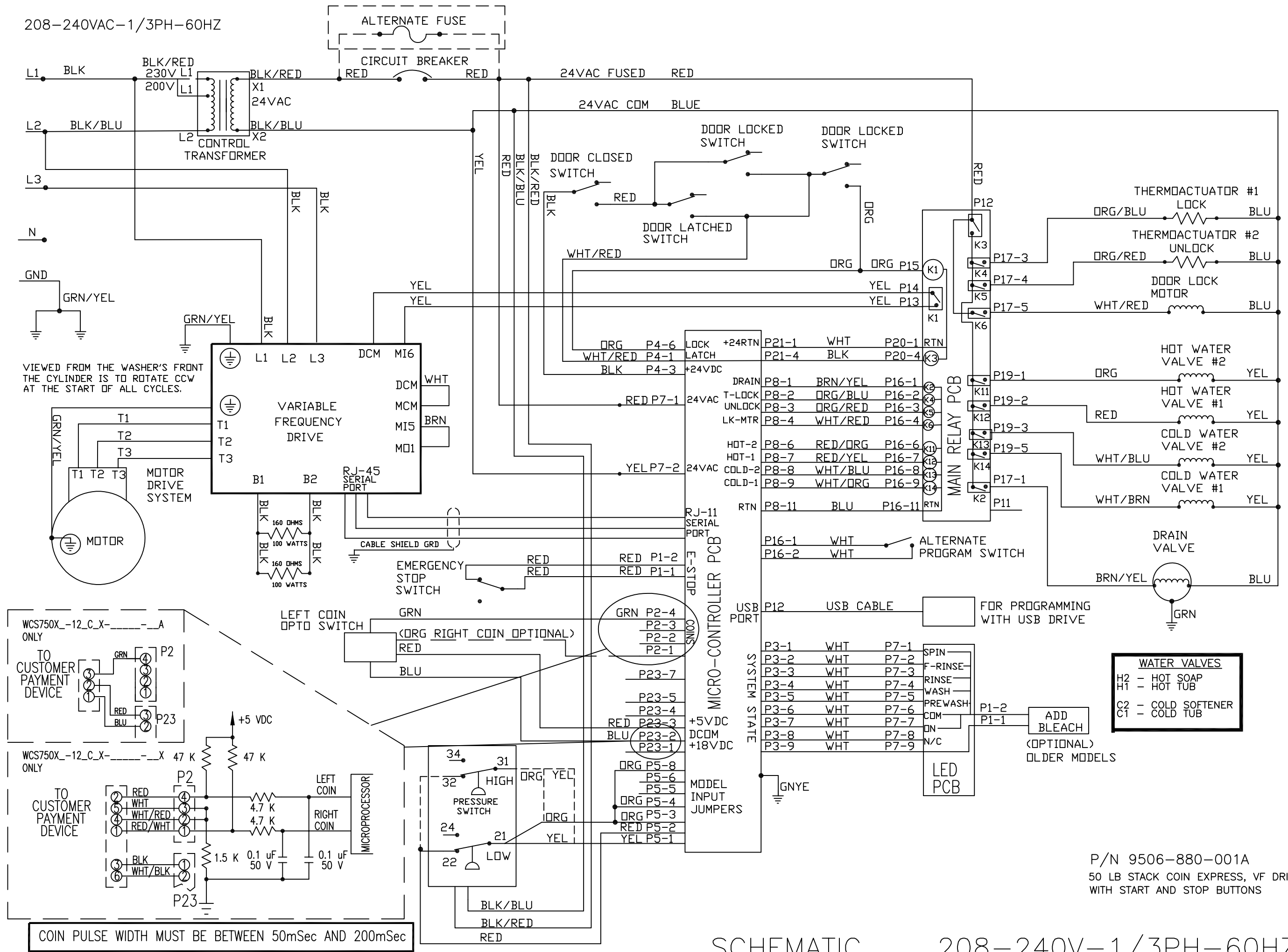
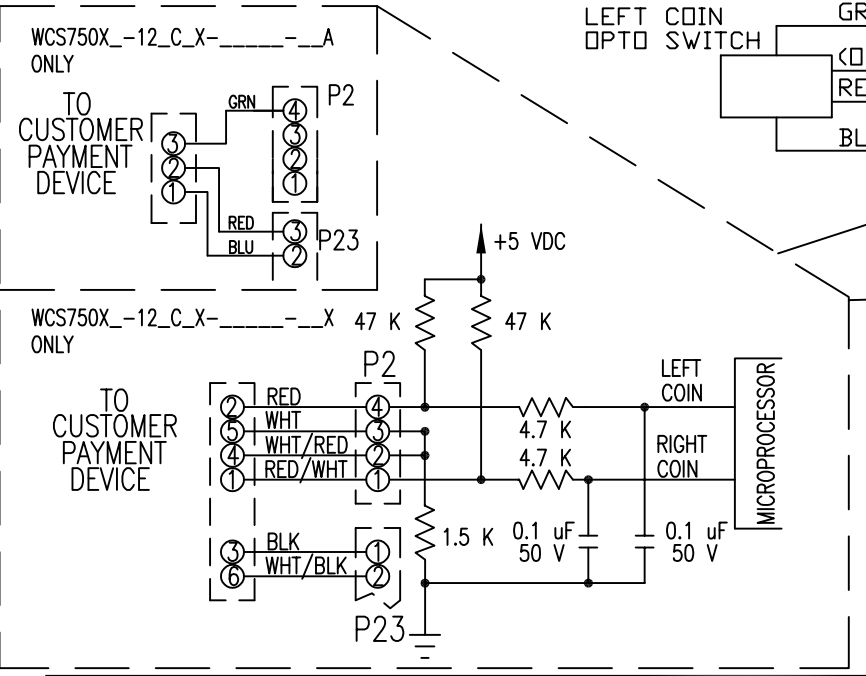


208-240VAC-1/3PH-60HZ

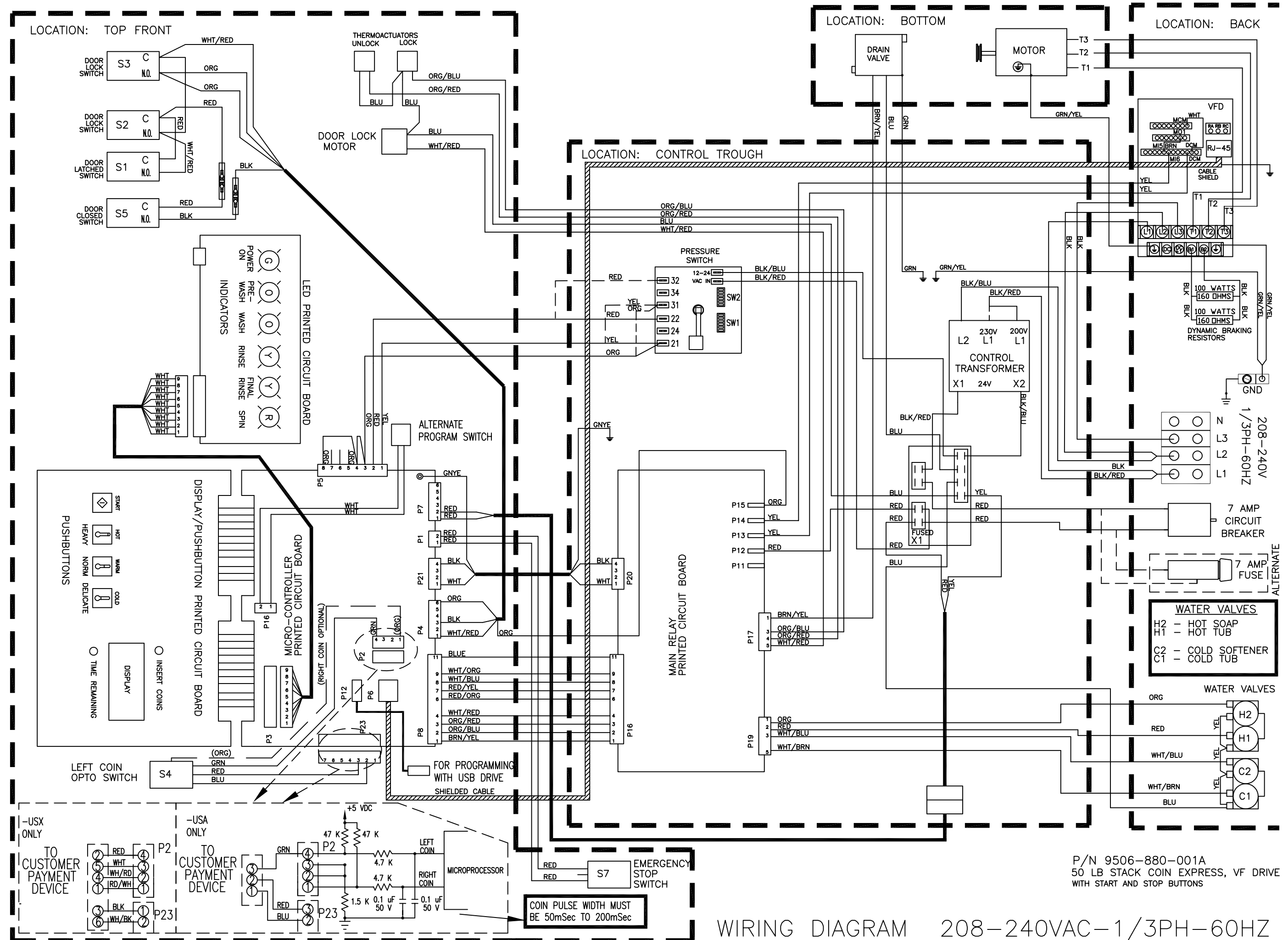


VIEWED FROM THE WASHER'S FRONT THE CYLINDER IS TO ROTATE CCW AT THE START OF ALL CYCLES.



WATER VALVES
 H2 - HOT SOAP
 H1 - HOT TUB
 C2 - COLD SOFTENER
 C1 - COLD TUB

P/N 9506-880-001A
 50 LB STACK COIN EXPRESS, VF DRIVE
 WITH START AND STOP BUTTONS



P/N 9506-880-001A
 50 LB STACK COIN EXPRESS, VF DRIVE
 WITH START AND STOP BUTTONS

WIRING DIAGRAM 208-240VAC-1/3PH-60HZ