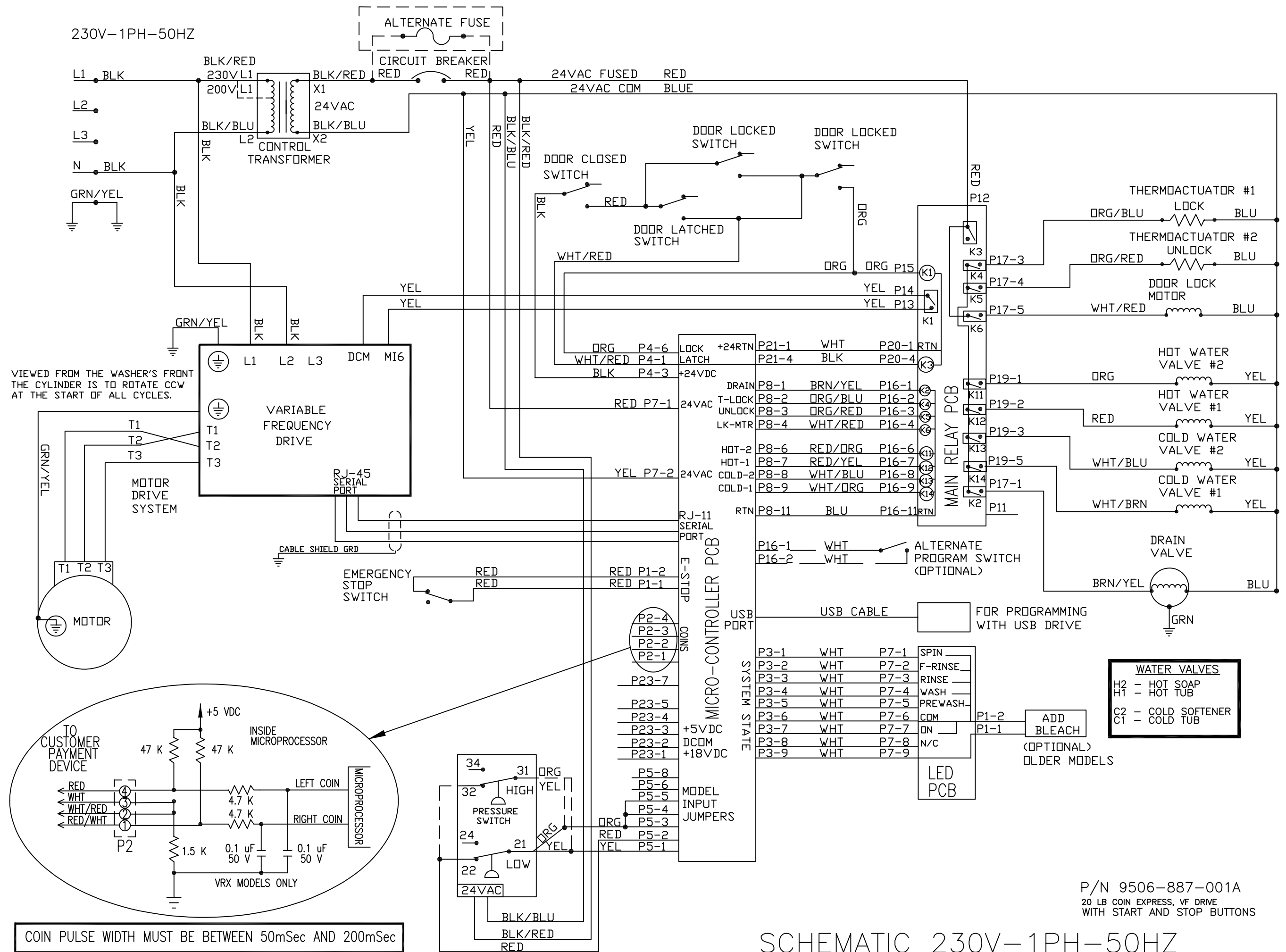
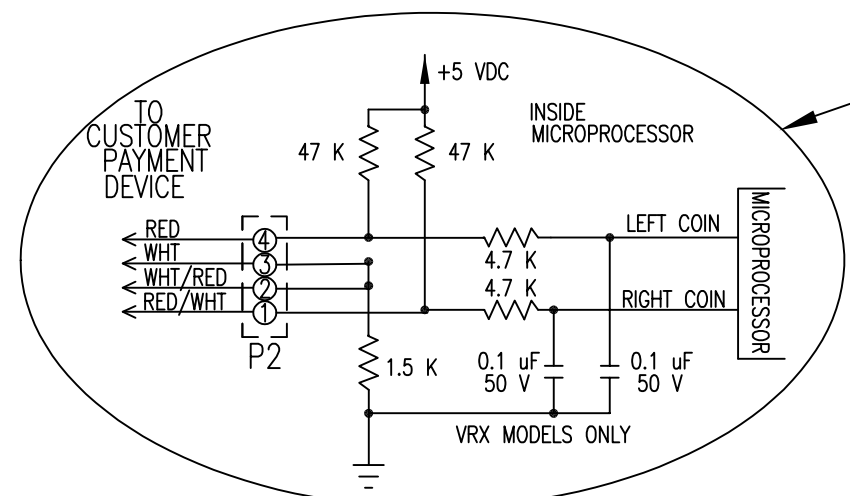


230V-1PH-50HZ



VIEWED FROM THE WASHER'S FRONT THE CYLINDER IS TO ROTATE CCW AT THE START OF ALL CYCLES.

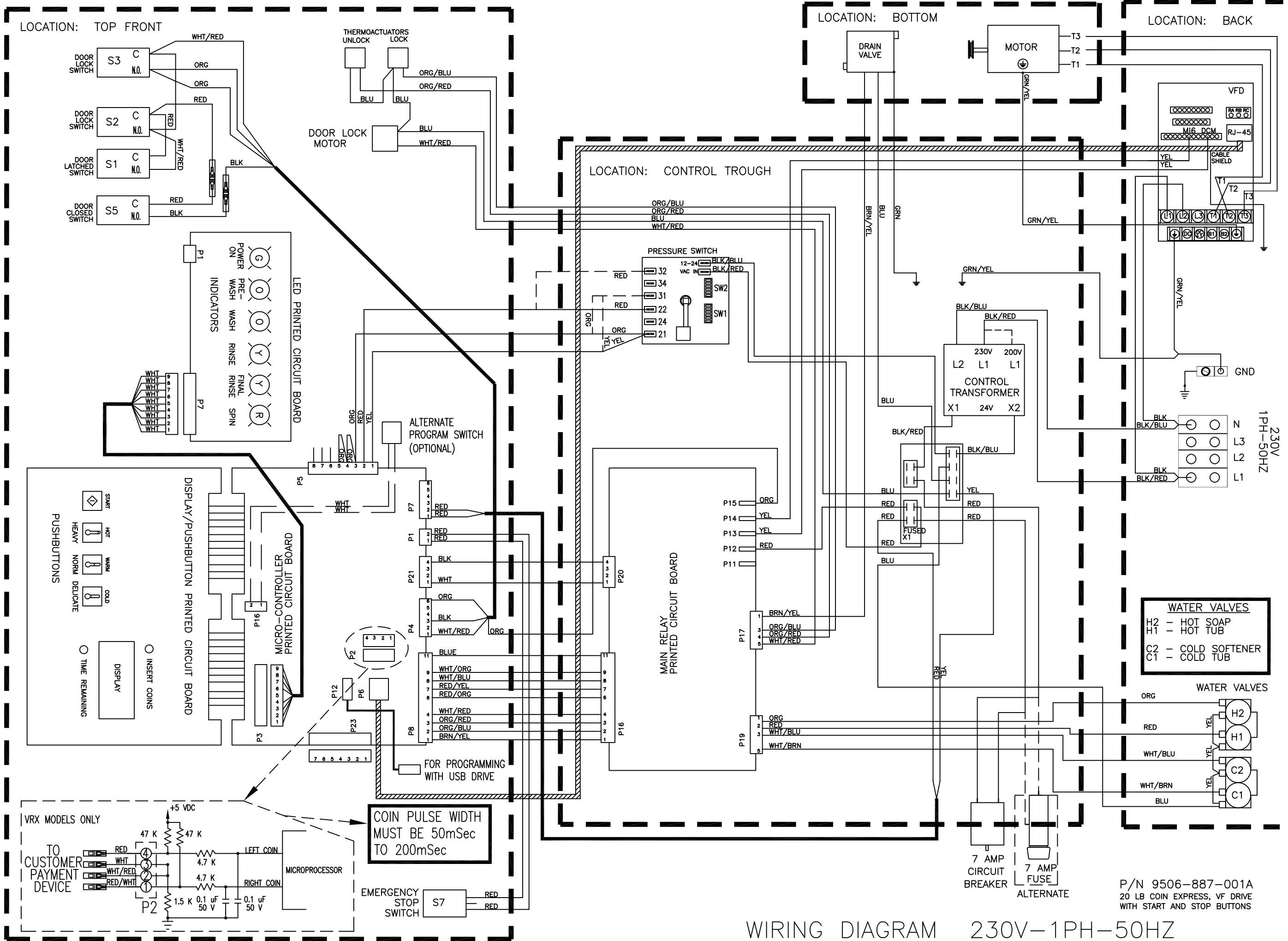


COIN PULSE WIDTH MUST BE BETWEEN 50mSec AND 200mSec

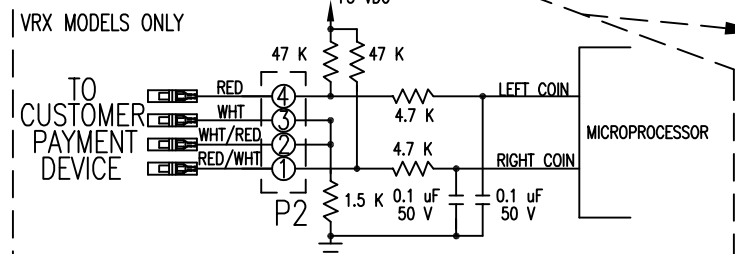
WATER VALVES	
H2	HOT SOAP
H1	HOT TUB
C2	COLD SOFTENER
C1	COLD TUB

P/N 9506-887-001A
20 LB COIN EXPRESS, VF DRIVE
WITH START AND STOP BUTTONS

SCHEMATIC 230V-1PH-50HZ



WATER VALVES
H2 - HOT SOAP
H1 - HOT TUB
C2 - COLD SOFTENER
C1 - COLD TUB



WIRING DIAGRAM 230V-1PH-50HZ

P/N 9506-887-001A
20 LB COIN EXPRESS, VF DRIVE
WITH START AND STOP BUTTONS