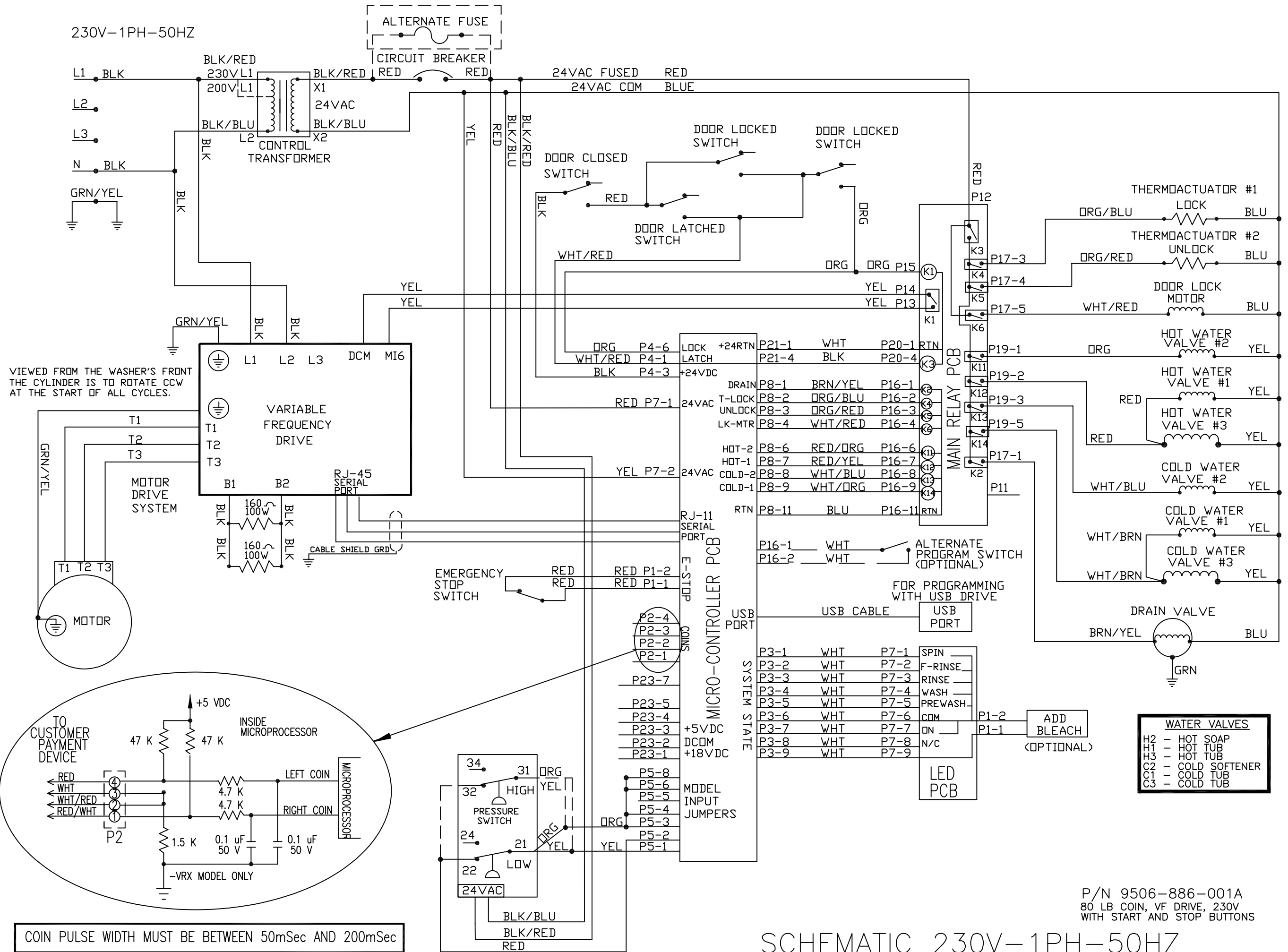
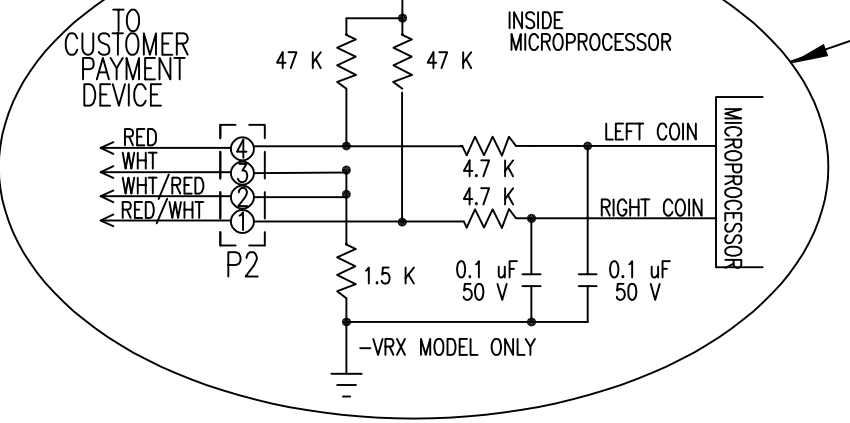


230V-1PH-50HZ



VIEWS FROM THE WASHER'S FRONT THE CYLINDER IS TO ROTATE CCW AT THE START OF ALL CYCLES.

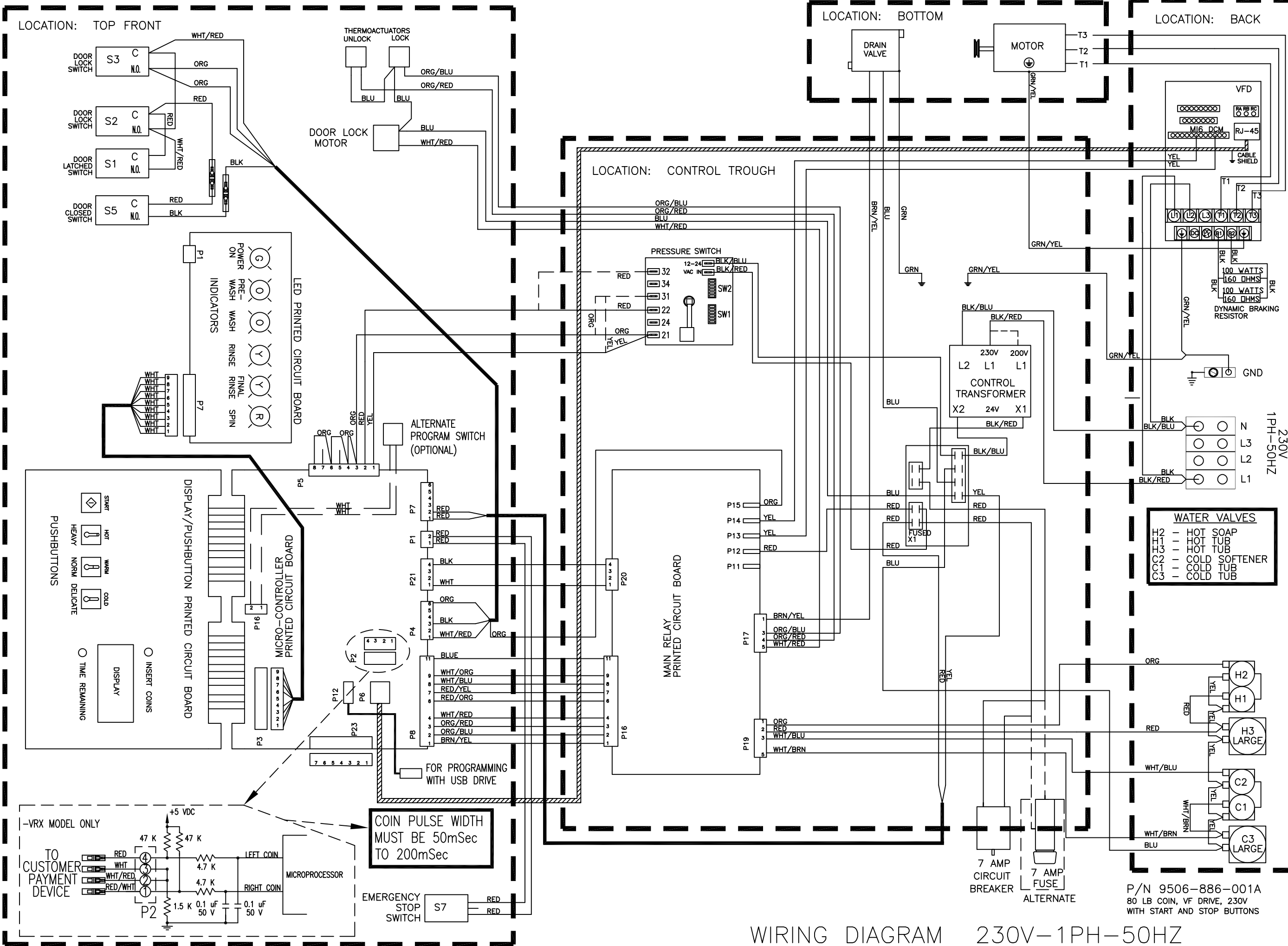


COIN PULSE WIDTH MUST BE BETWEEN 50mSec AND 200mSec

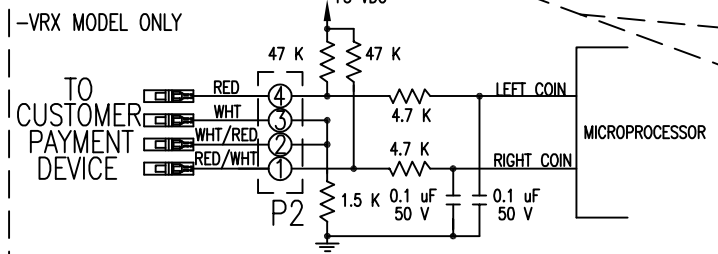
WATER VALVES	
H2	- HOT SOAP
H1	- HOT TUB
H3	- HOT TUB
C2	- COLD SOFTENER
C1	- COLD TUB
C3	- COLD TUB

P/N 9506-886-001A
80 LB COIN, VF DRIVE, 230V
WITH START AND STOP BUTTONS

SCHEMATIC 230V-1PH-50HZ



WATER VALVES	
H2	- HOT SOAP
H1	- HOT TUB
H3	- HOT TUB
C2	- COLD SOFTENER
C1	- COLD TUB
C3	- COLD TUB



WIRING DIAGRAM 230V-1PH-50HZ

P/N 9506-886-001A
80 LB COIN, VF DRIVE, 230V
WITH START AND STOP BUTTONS