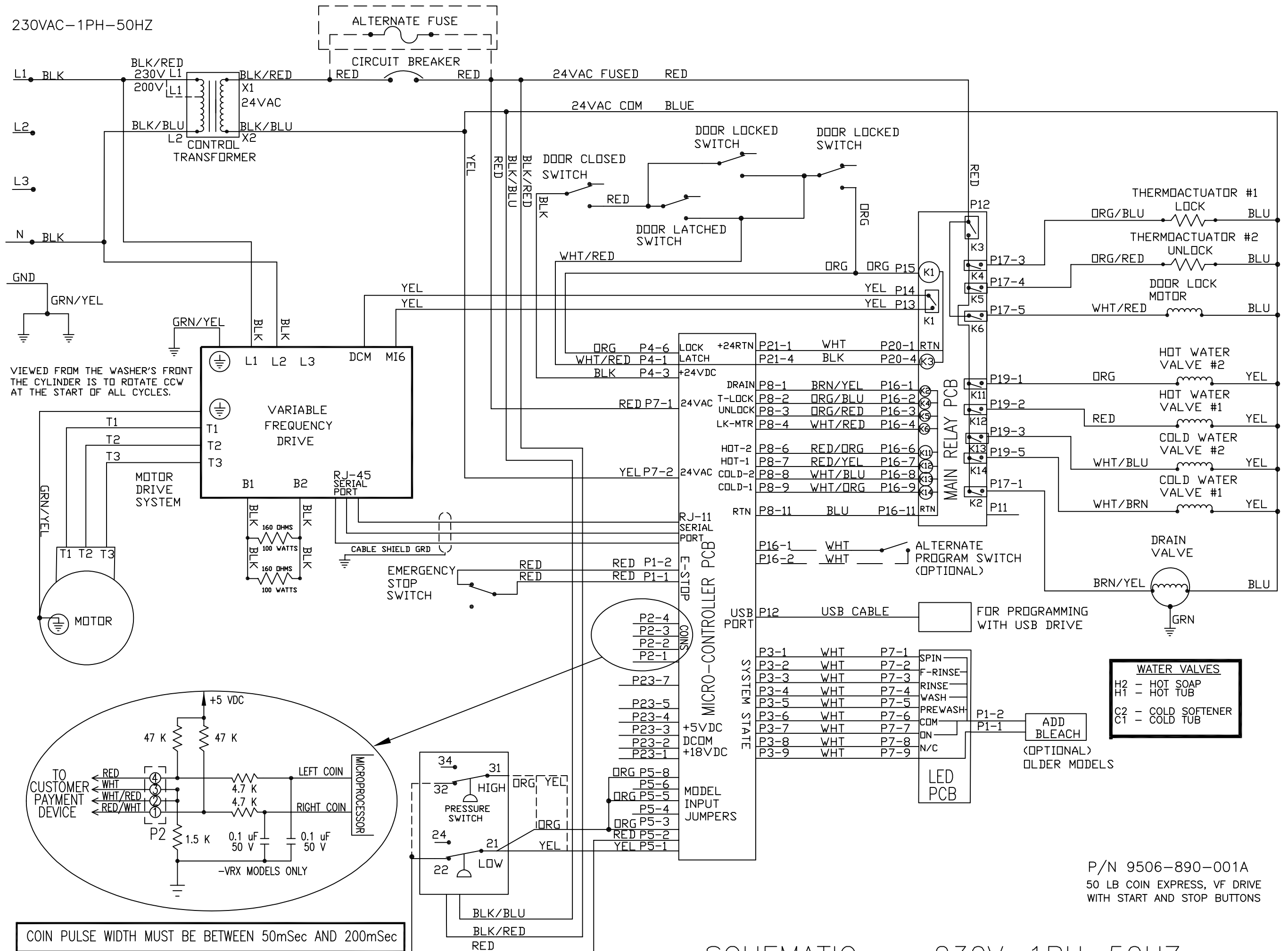
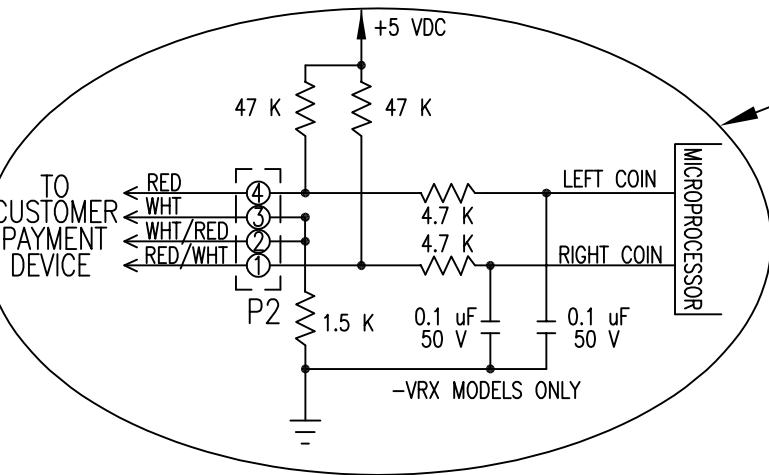


230VAC-1PH-50HZ



VIEWED FROM THE WASHER'S FRONT THE CYLINDER IS TO ROTATE CCW AT THE START OF ALL CYCLES.

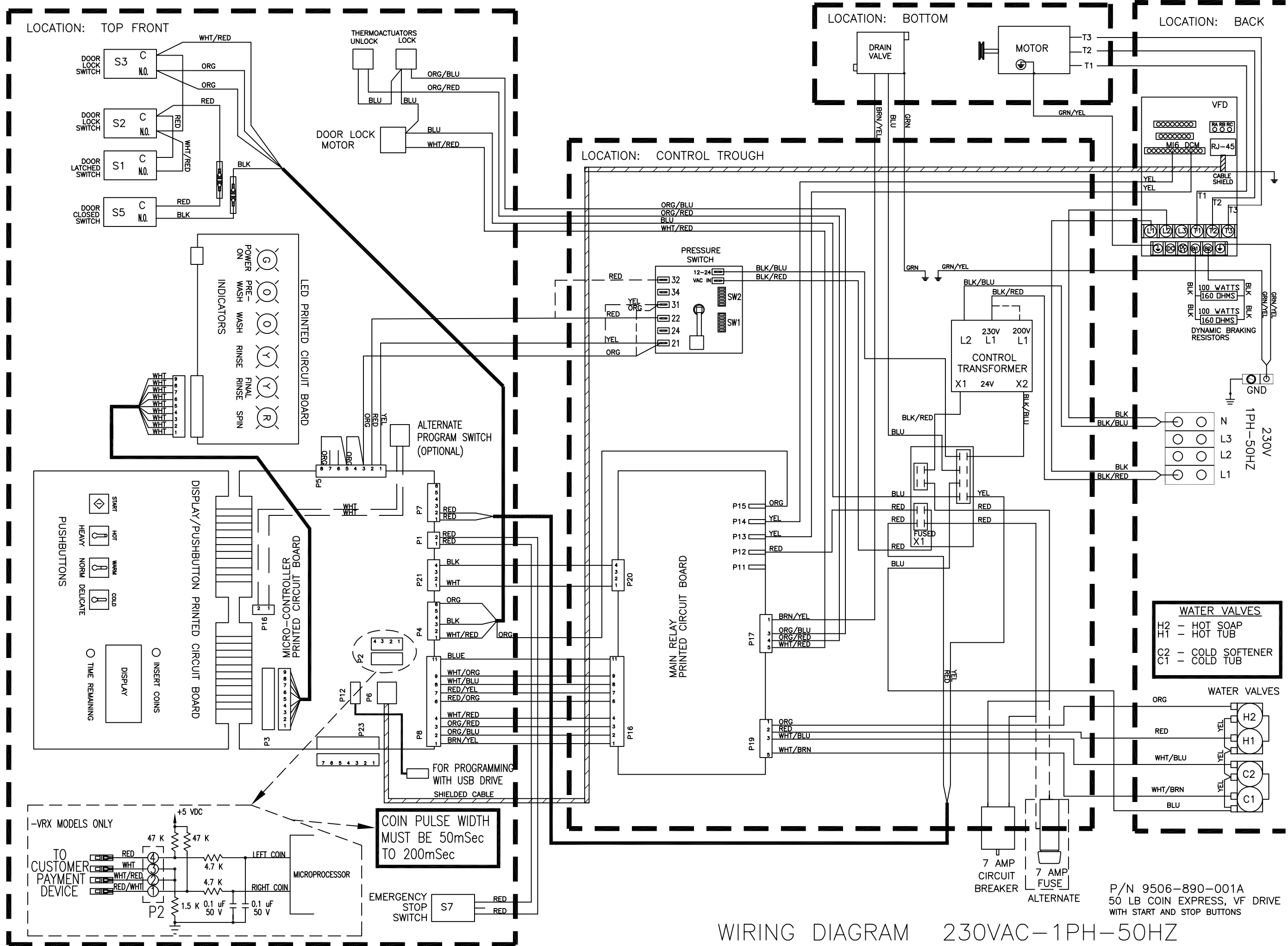


WATER VALVES	
H2	HOT SOAP
H1	HOT TUB
C2	COLD SOFTENER
C1	COLD TUB

P/N 9506-890-001A
50 LB COIN EXPRESS, VF DRIVE
WITH START AND STOP BUTTONS

SCHEMATIC

230V-1PH-50HZ



COIN PULSE WIDTH MUST BE 50mSec TO 200mSec

WATER VALVES
 H2 - HOT SOAP
 H1 - HOT TUB
 C2 - COLD SOFTENER
 C1 - COLD TUB

P/N 9506-890-001A
 50 LB COIN EXPRESS, VF DRIVE
 WITH START AND STOP BUTTONS

WIRING DIAGRAM 230VAC-1PH-50HZ