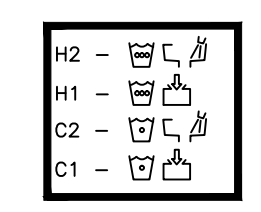
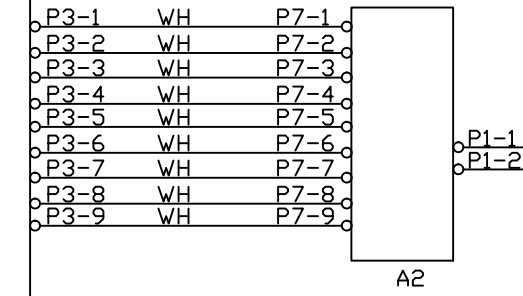
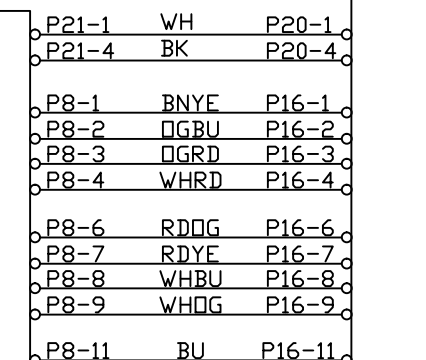
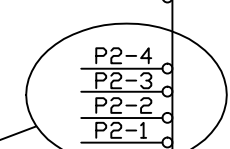
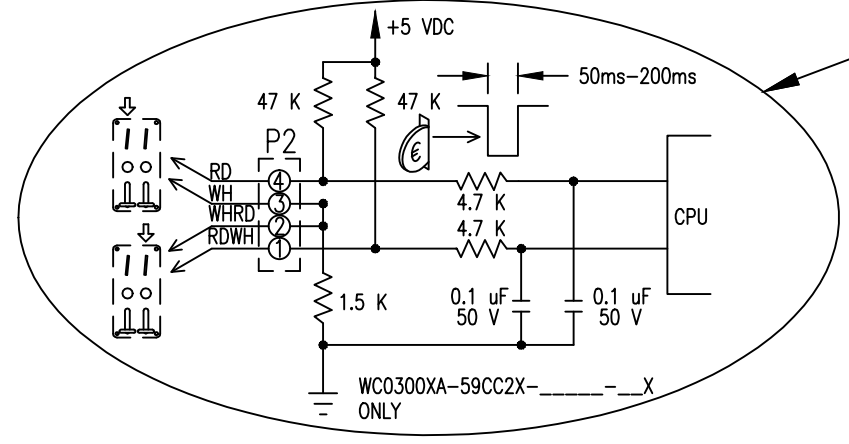
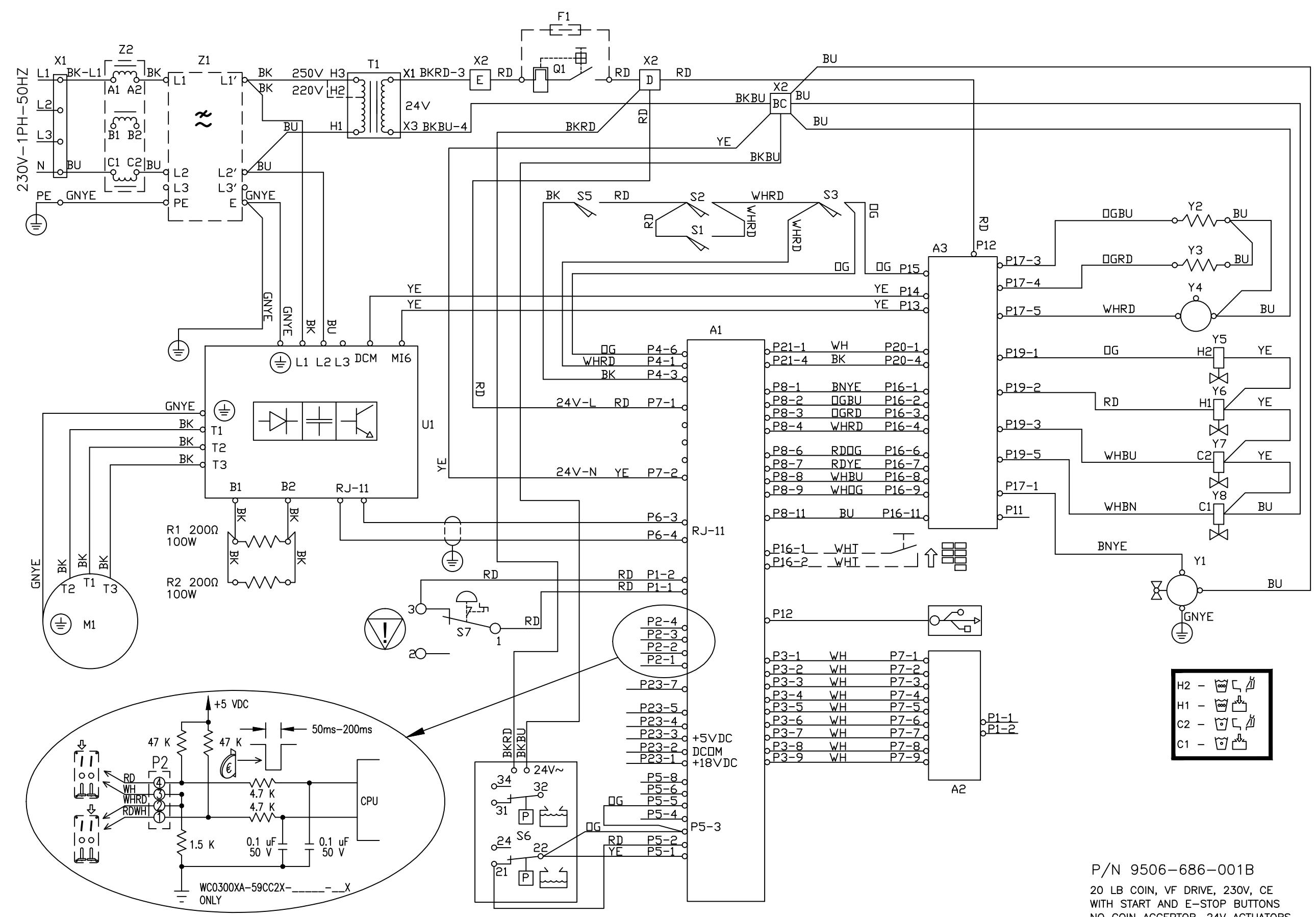
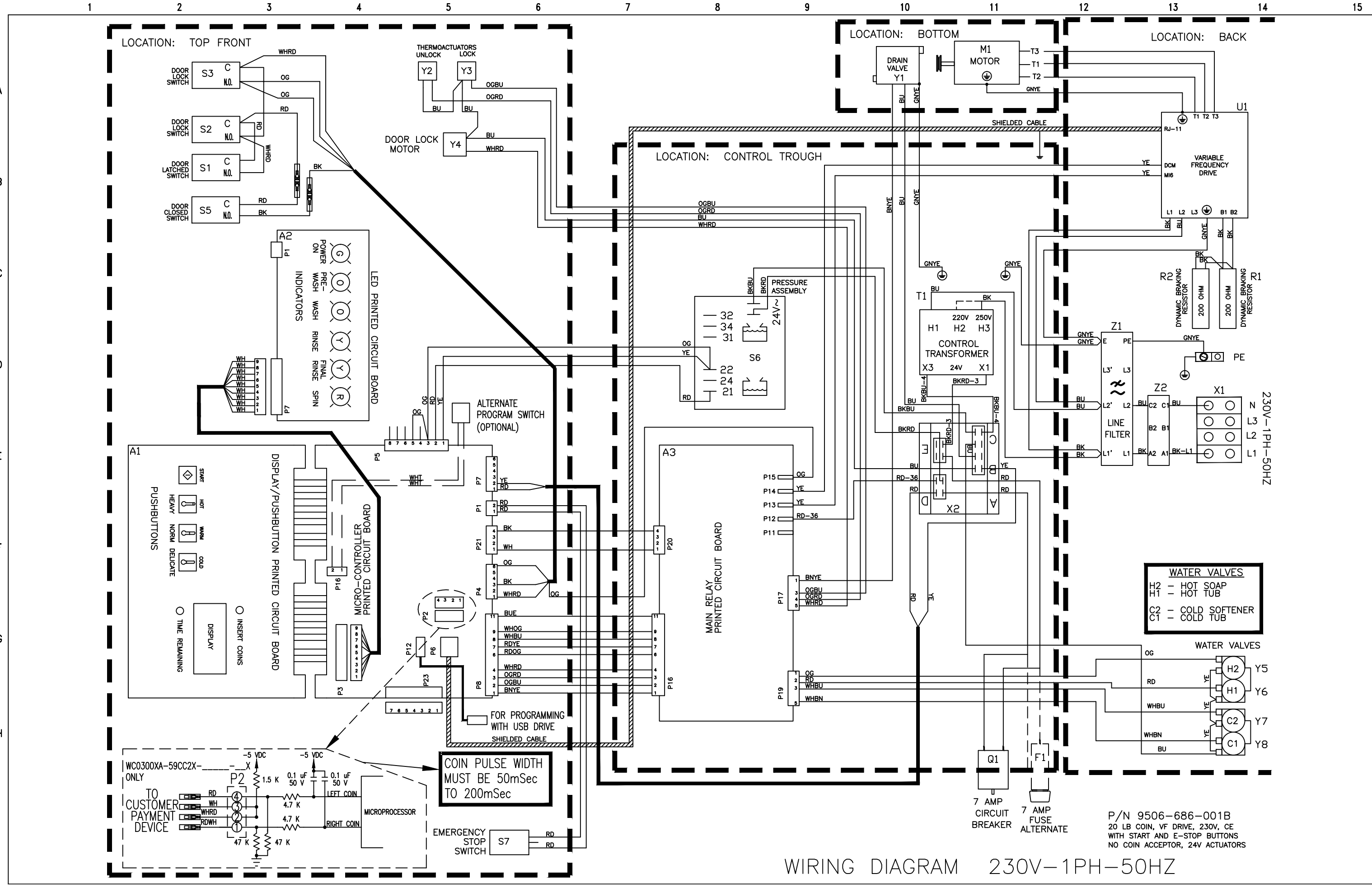


A  
B  
C  
D  
E  
F  
G  
H  
I



P/N 9506-686-001B  
20 LB COIN, VF DRIVE, 230V, CE  
WITH START AND E-STOP BUTTONS  
NO COIN ACCEPTOR, 24V ACTUATORS

SCHMATIC 230V-1PH-50HZ



WIRING DIAGRAM 230V-1PH-50HZ