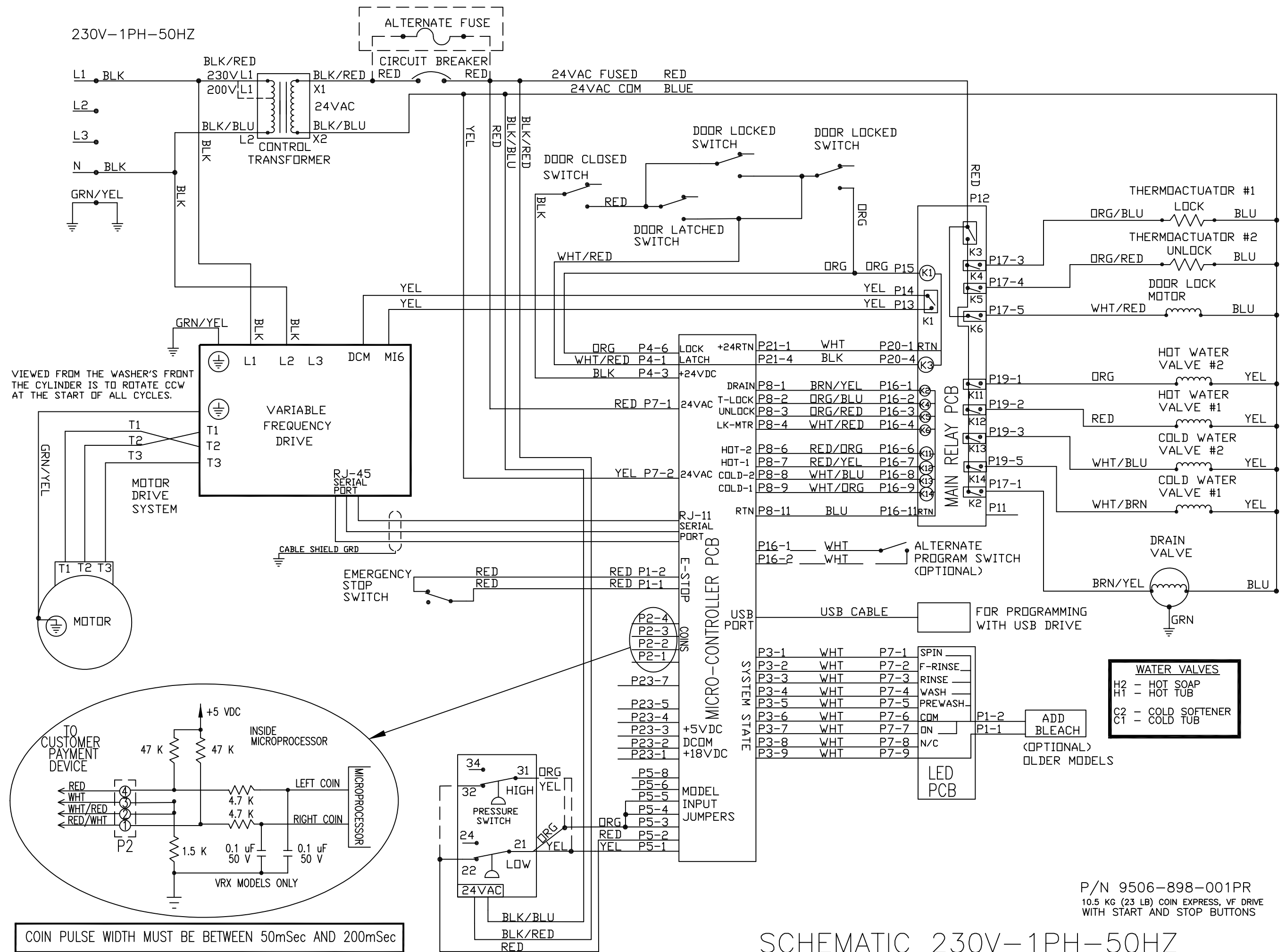


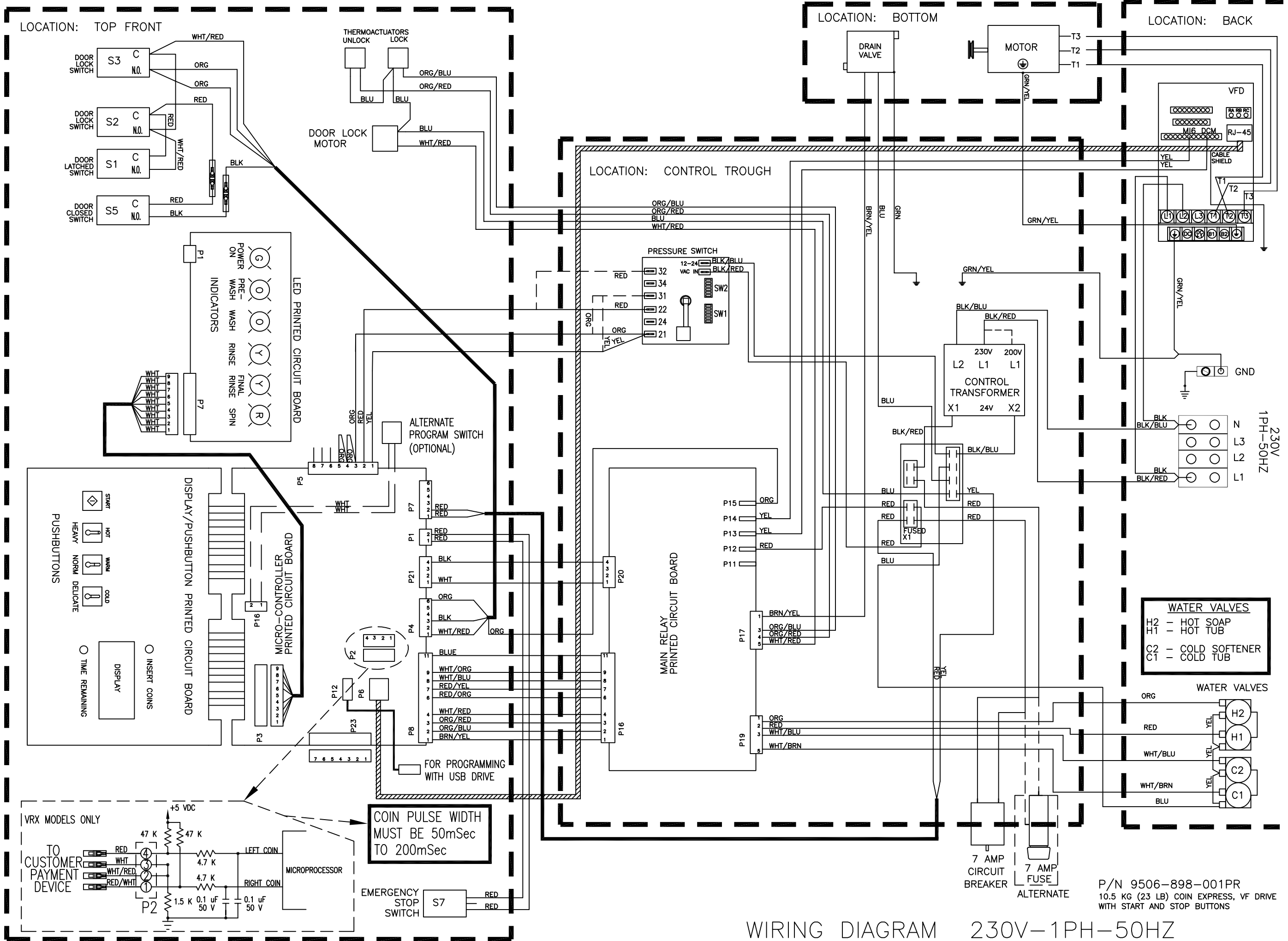
230V-1PH-50HZ



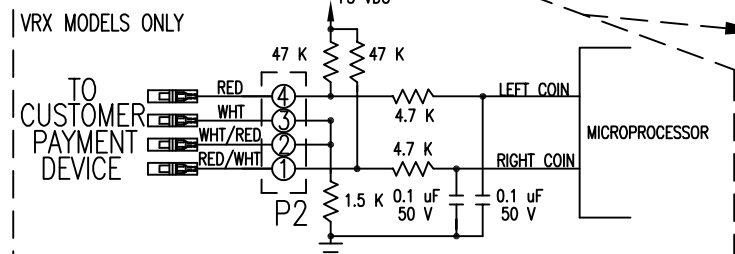
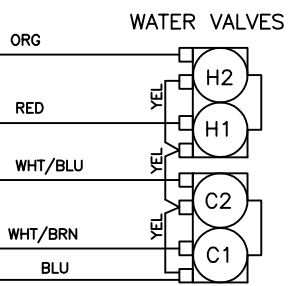
**WATER VALVES**  
 H2 - HOT SOAP  
 H1 - HOT TUB  
 C2 - COLD SOFTENER  
 C1 - COLD TUB

P/N 9506-898-001PR  
 10.5 KG (23 LB) COIN EXPRESS, VF DRIVE  
 WITH START AND STOP BUTTONS

SCHEMATIC 230V-1PH-50HZ



**WATER VALVES**  
 H2 - HOT SOAP  
 H1 - HOT TUB  
 C2 - COLD SOFTENER  
 C1 - COLD TUB



**COIN PULSE WIDTH  
 MUST BE 50mSec  
 TO 200mSec**

WIRING DIAGRAM 230V-1PH-50HZ

P/N 9506-898-001PR  
 10.5 KG (23 LB) COIN EXPRESS, VF DRIVE  
 WITH START AND STOP BUTTONS