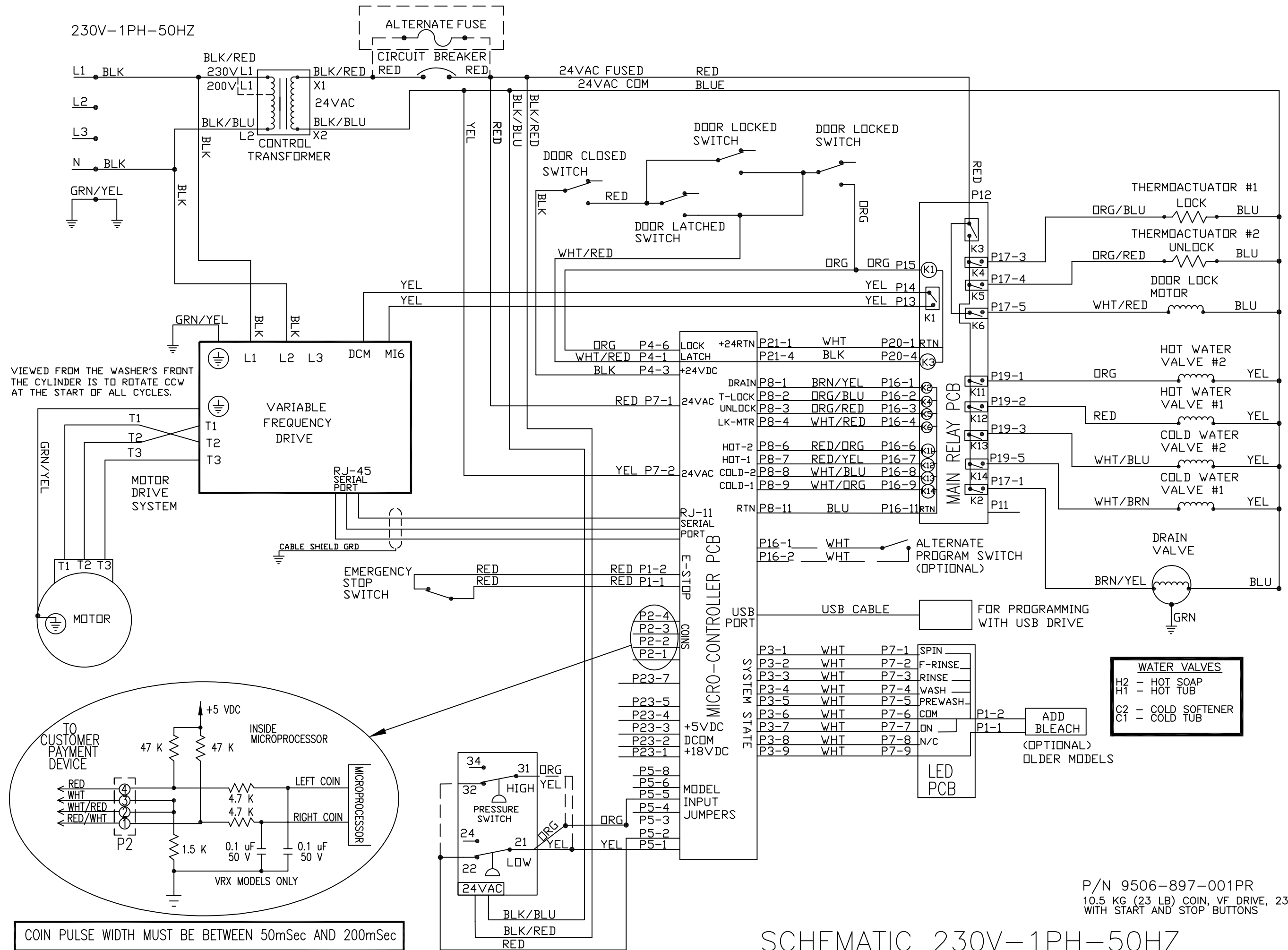
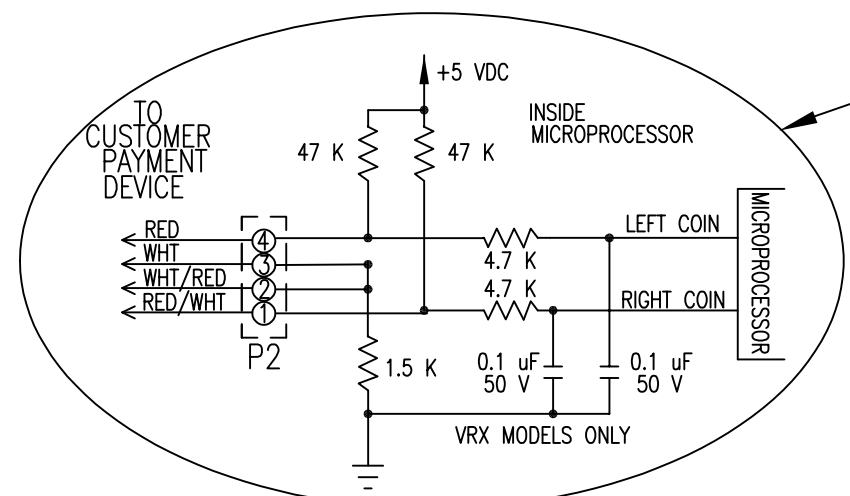


230V-1PH-50HZ



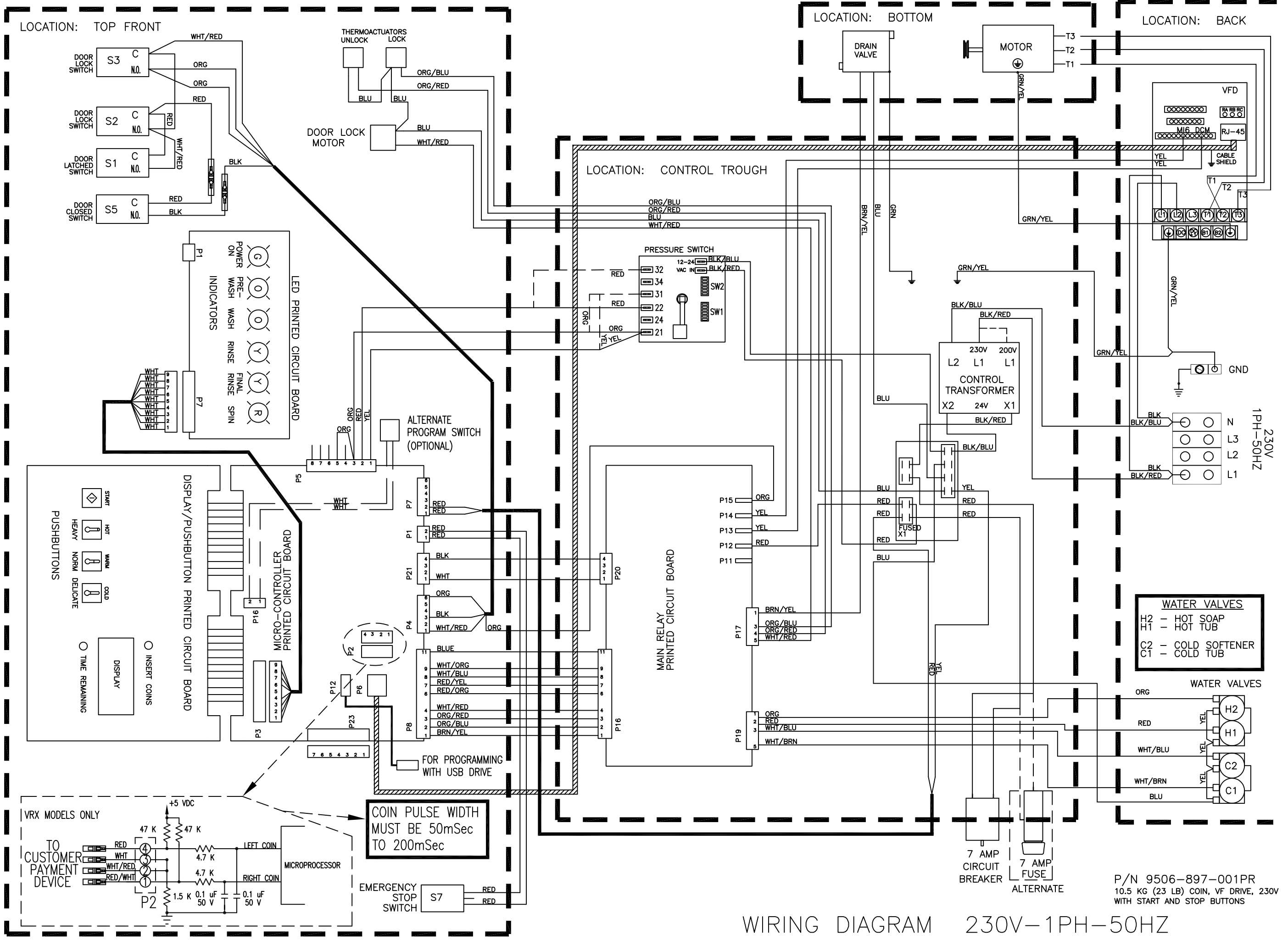
VIEWED FROM THE WASHER'S FRONT THE CYLINDER IS TO ROTATE CCW AT THE START OF ALL CYCLES.



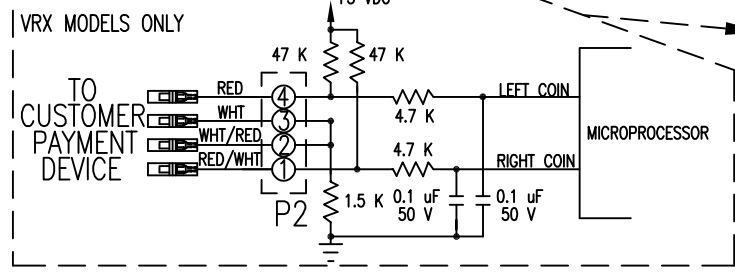
COIN PULSE WIDTH MUST BE BETWEEN 50mSec AND 200mSec

P/N 9506-897-001PR
10.5 KG (23 LB) COIN, VF DRIVE, 230V
WITH START AND STOP BUTTONS

SCHEMATIC 230V-1PH-50HZ



WATER VALVES
 H2 - HOT SOAP
 H1 - HOT TUB
 C2 - COLD SOFTENER
 C1 - COLD TUB



WIRING DIAGRAM 230V-1PH-50HZ

P/N 9506-897-001PR
 10.5 KG (23 LB) COIN, VF DRIVE, 230V
 WITH START AND STOP BUTTONS