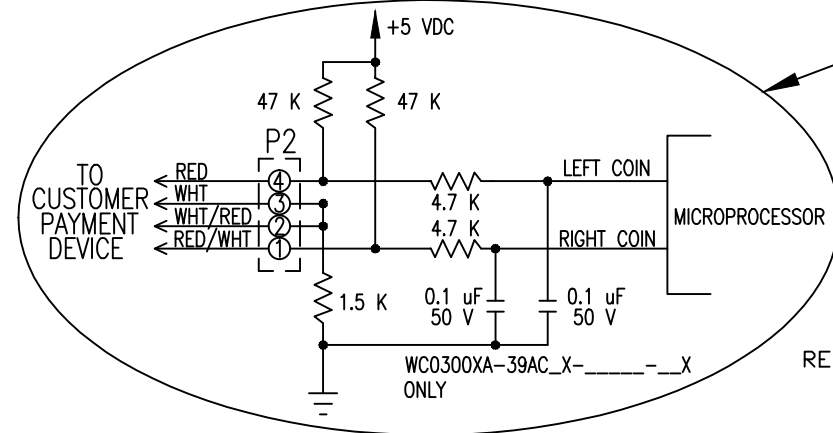
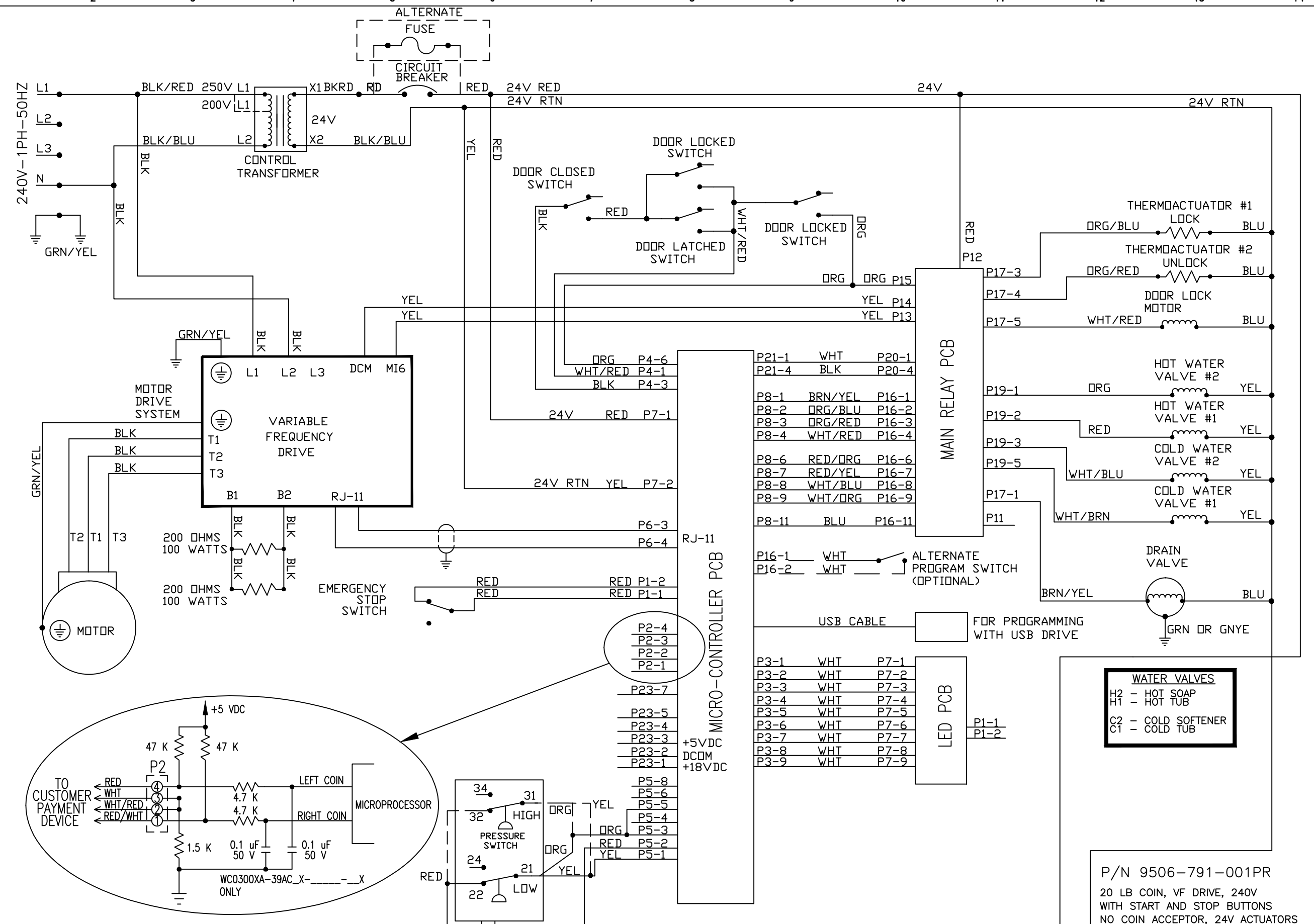


A
B
C
D
E
F
G
H
I

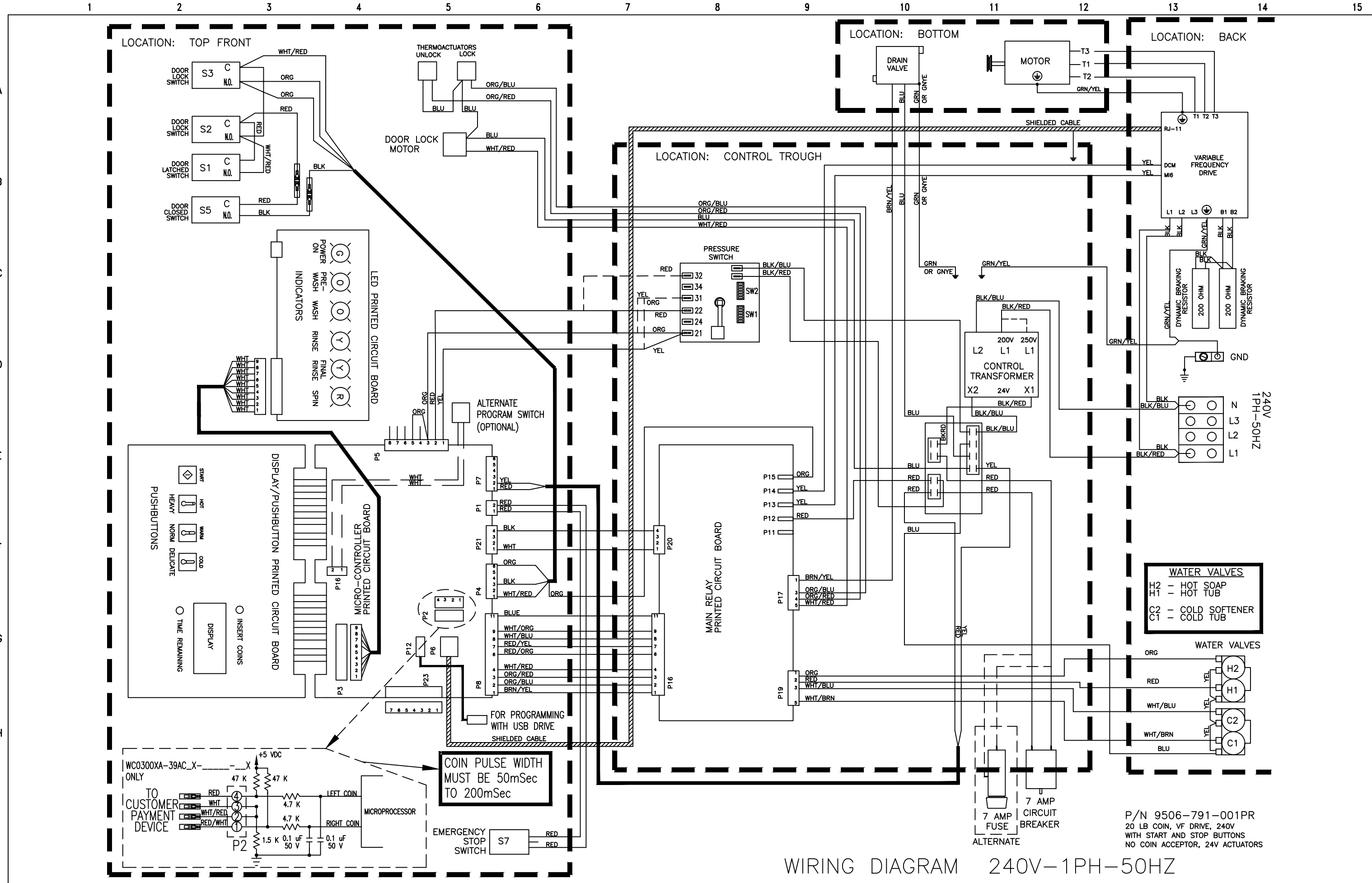


COIN PULSE WIDTH MUST BE BETWEEN 50mSec AND 200mSec

WATER VALVES

H2 - HOT SOAP
H1 - HOT TUB
C2 - COLD SOFTENER
C1 - COLD TUB

P/N 9506-791-001PR
20 LB COIN, VF DRIVE, 240V
WITH START AND STOP BUTTONS
NO COIN ACCEPTOR, 24V ACTUATORS



WIRING DIAGRAM 240V-1PH-50HZ

P/N 9506-791-001PR
 20 LB COIN, VF DRIVE, 240V
 WITH START AND STOP BUTTONS
 NO COIN ACCEPTOR, 24V ACTUATORS

WATER VALVES
 H2 - HOT SOAP
 H1 - HOT TUB
 C2 - COLD SOFTENER
 C1 - COLD TUB