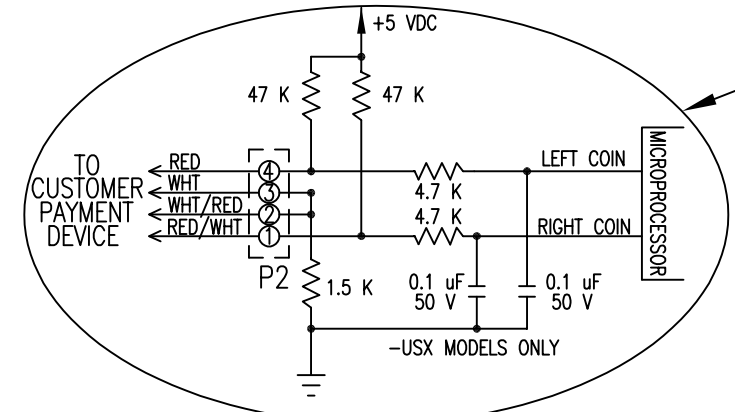


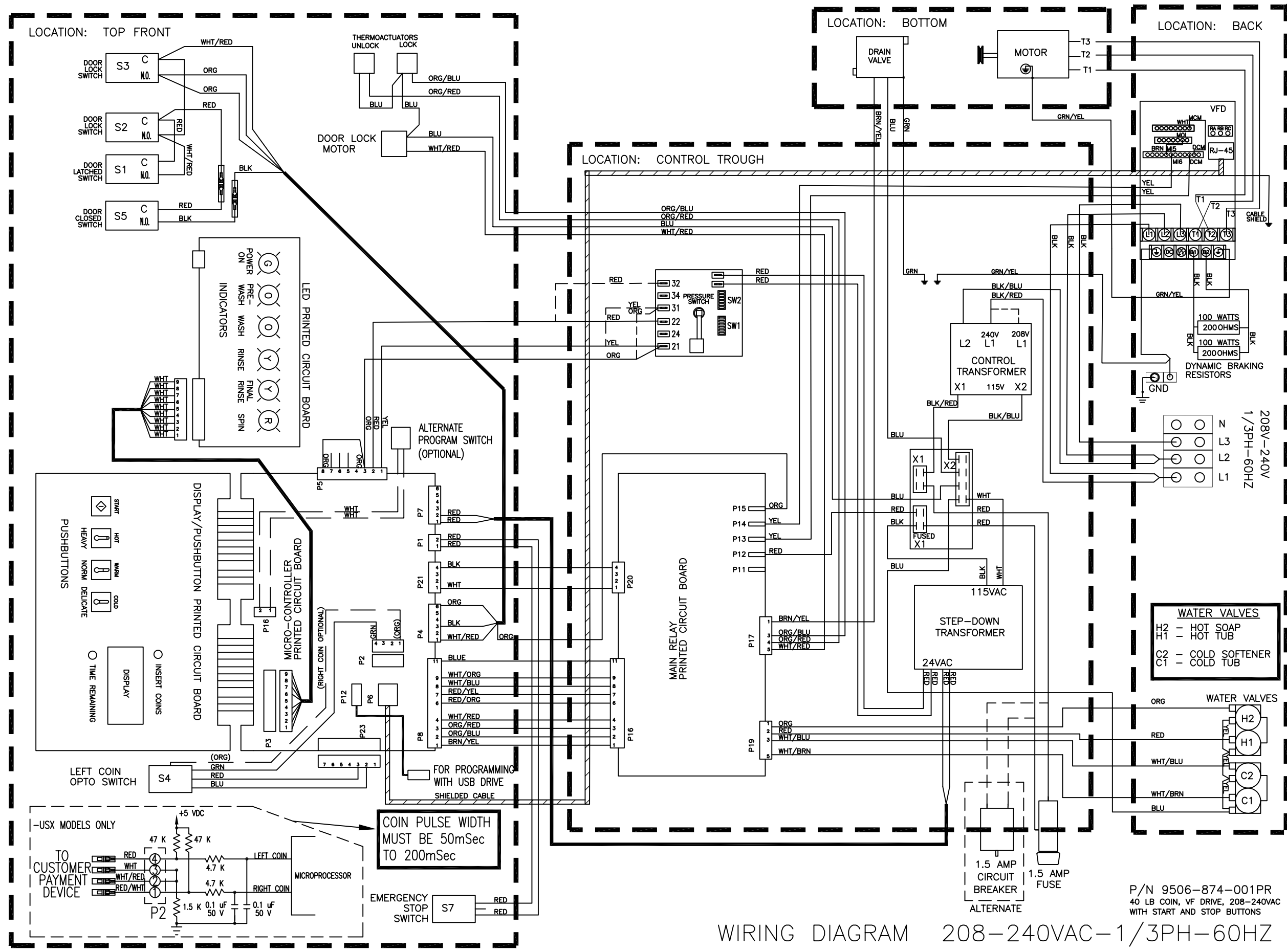
VIEWED FROM THE WASHER'S FRONT
THE CYLINDER IS TO ROTATE CCW
AT THE START OF ALL CYCLES.



COIN PULSE WIDTH MUST BE BETWEEN 50mSec AND 200mSec

SCHEMATIC

208-240V-1/3PH-60HZ



WIRING DIAGRAM 208-240VAC-1/3PH-60HZ