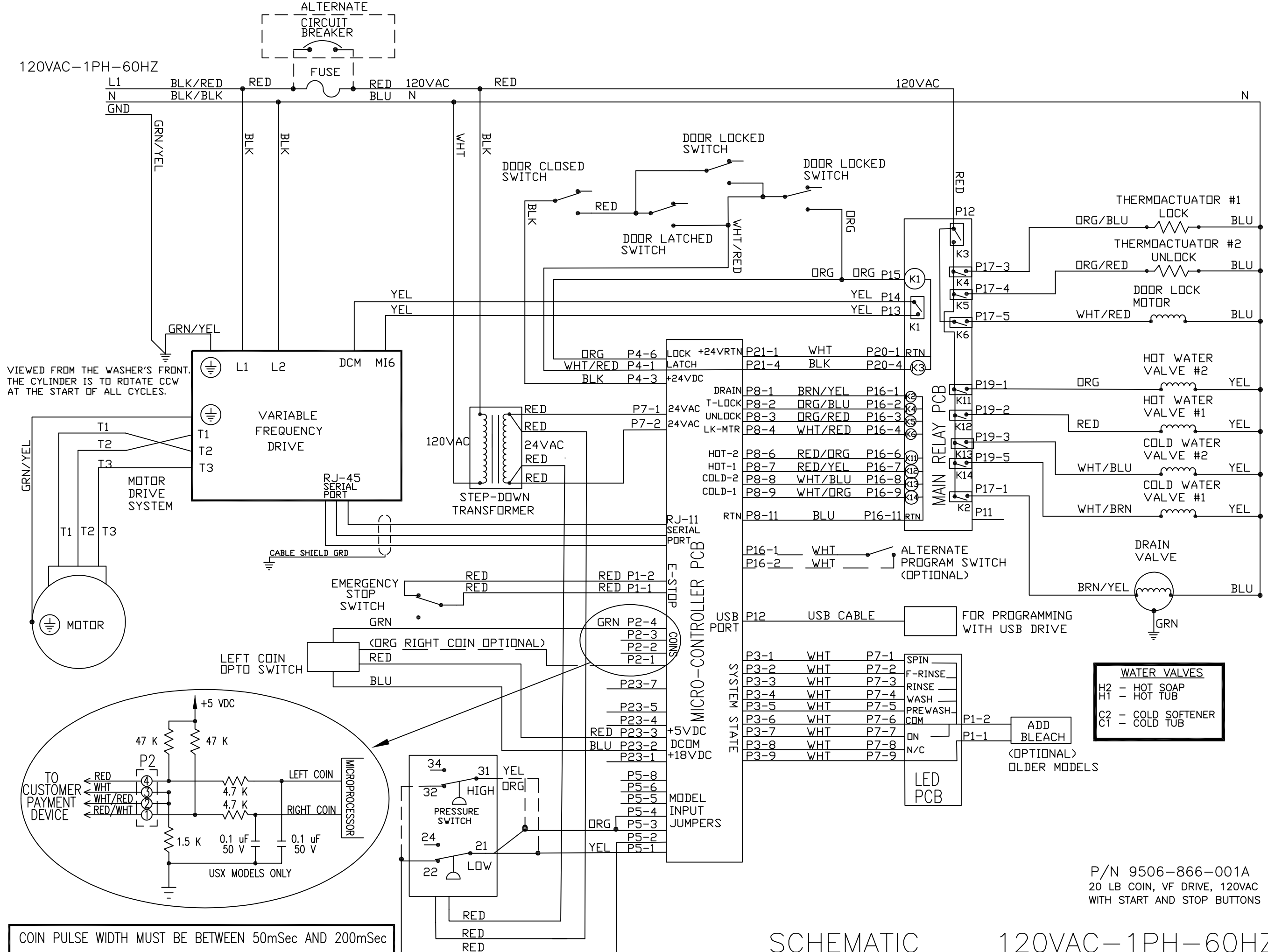
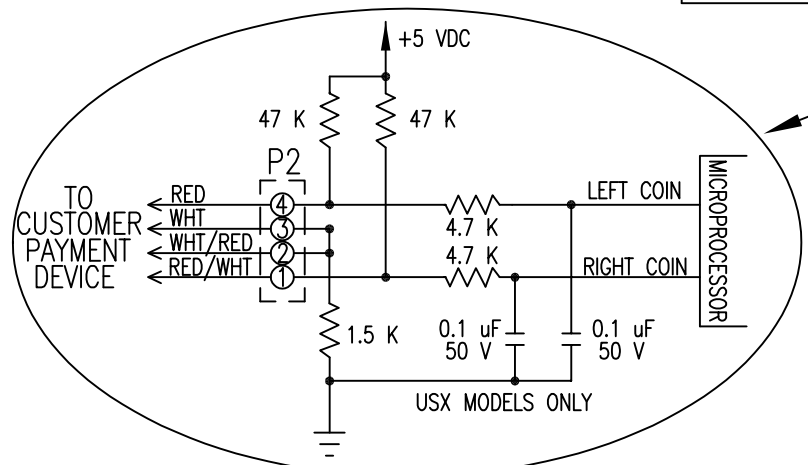
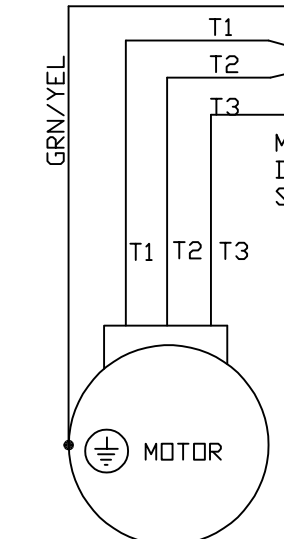


120VAC-1PH-60HZ



VIEWED FROM THE WASHER'S FRONT, THE CYLINDER IS TO ROTATE CCW AT THE START OF ALL CYCLES.



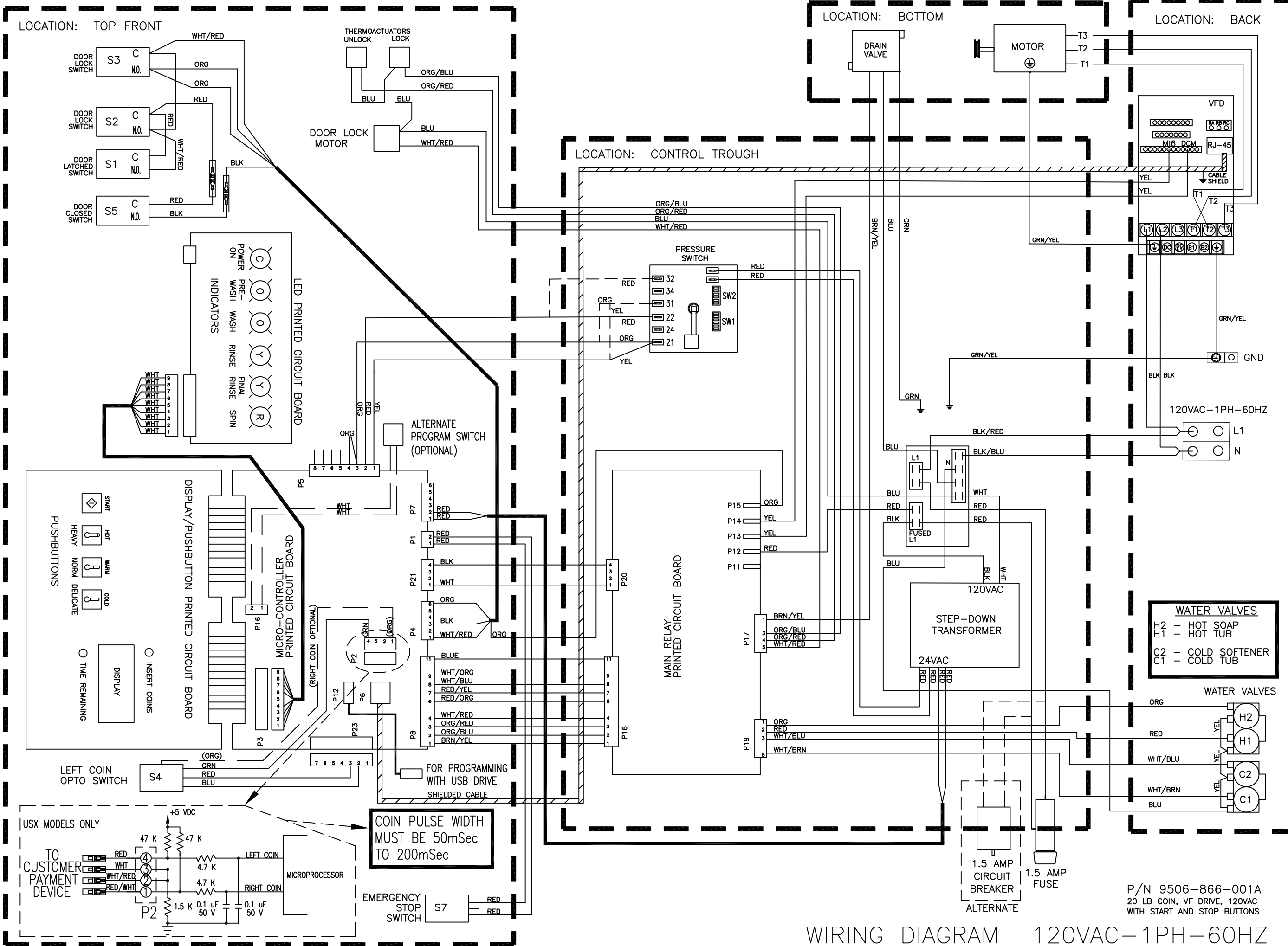
COIN PULSE WIDTH MUST BE BETWEEN 50mSec AND 200mSec

WATER VALVES	
H2	- HOT SOAP
H1	- HOT TUB
C2	- COLD SOFTENER
C1	- COLD TUB

P/N 9506-866-001A
20 LB COIN, VF DRIVE, 120VAC
WITH START AND STOP BUTTONS

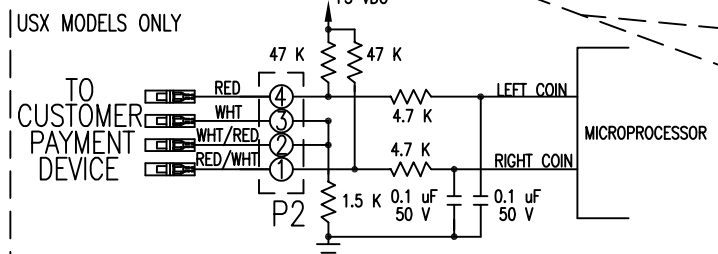
SCHEMATIC

120VAC-1PH-60HZ



COIN PULSE WIDTH MUST BE 50mSec TO 200mSec

WATER VALVES
 H2 - HOT SOAP
 H1 - HOT TUB
 C2 - COLD SOFTENER
 C1 - COLD TUB



WIRING DIAGRAM 120VAC-1PH-60HZ

P/N 9506-866-001A
 20 LB COIN, VF DRIVE, 120VAC
 WITH START AND STOP BUTTONS