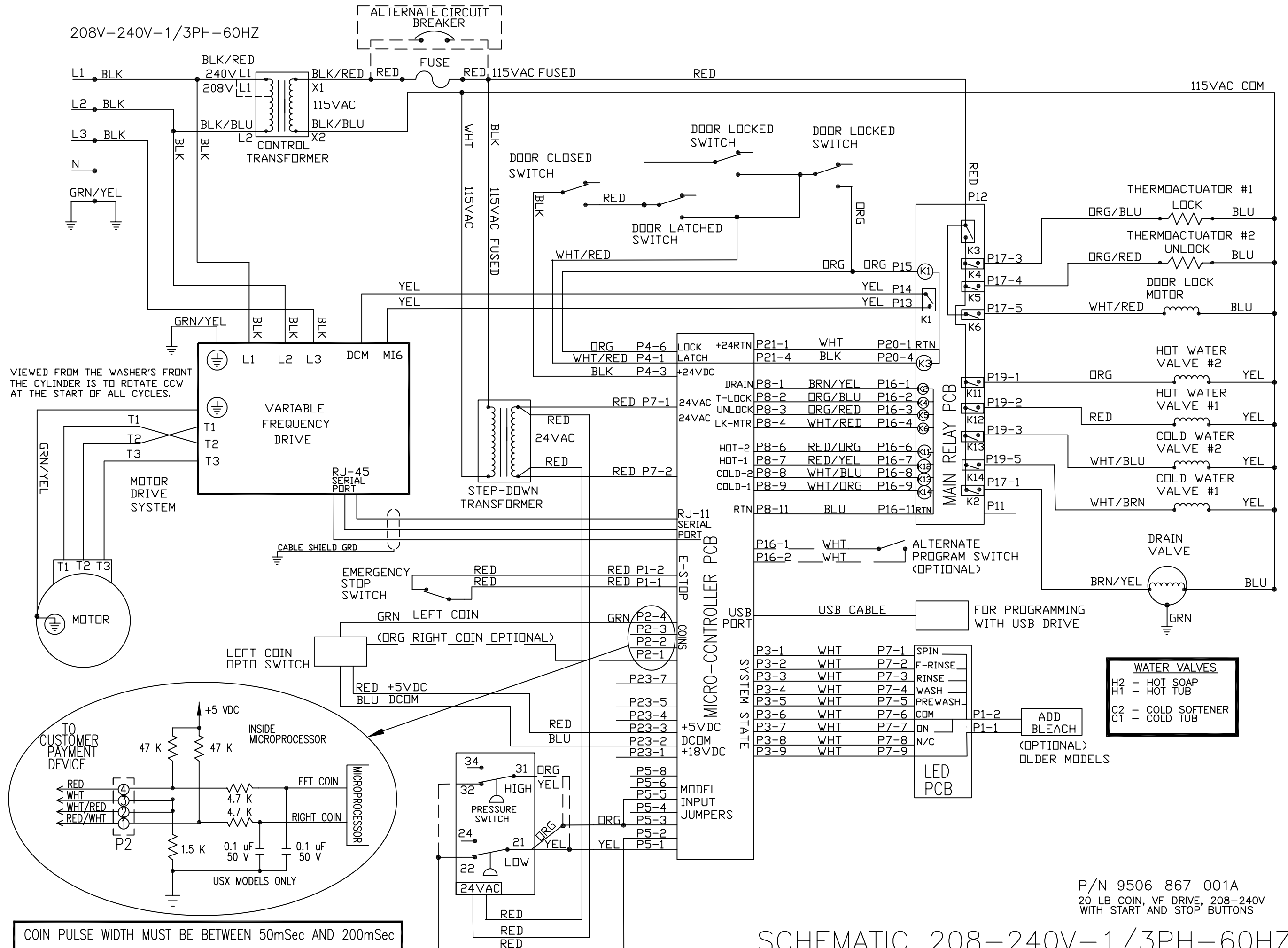
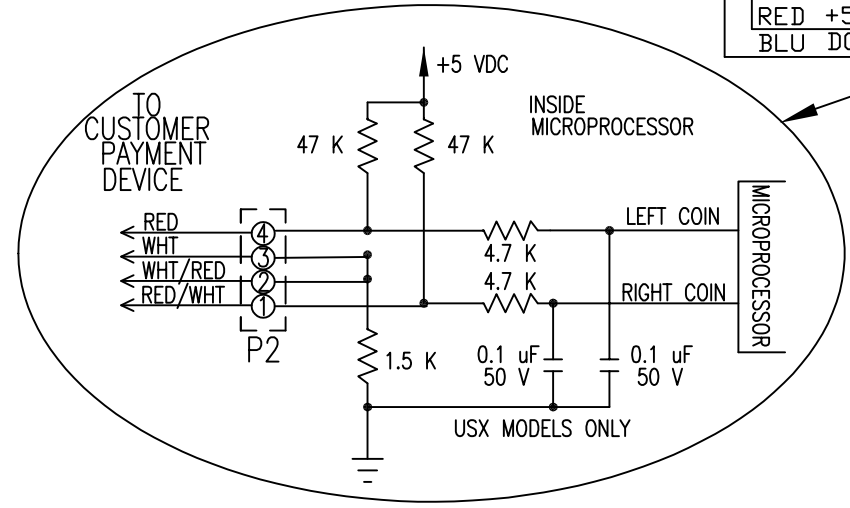


208V-240V-1/3PH-60HZ



VIEWED FROM THE WASHER'S FRONT THE CYLINDER IS TO ROTATE CCW AT THE START OF ALL CYCLES.

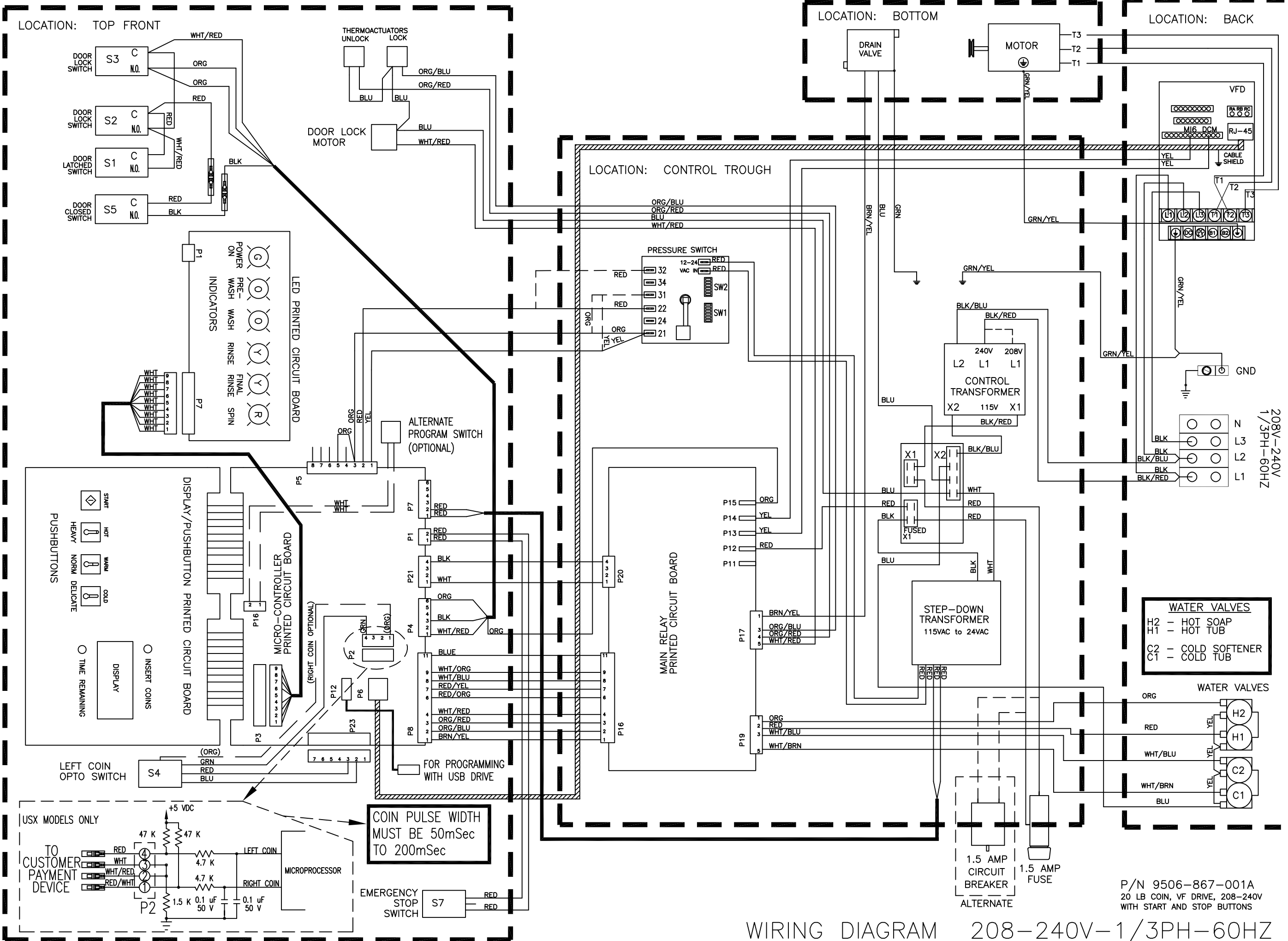


COIN PULSE WIDTH MUST BE BETWEEN 50mSec AND 200mSec

WATER VALVES	
H2	- HOT SOAP
H1	- HOT TUB
C2	- COLD SOFTENER
C1	- COLD TUB

P/N 9506-867-001A  
20 LB COIN, VF DRIVE, 208-240V  
WITH START AND STOP BUTTONS

SCHEMATIC 208-240V-1/3PH-60HZ



WIRING DIAGRAM 208-240V-1/3PH-60HZ

P/N 9506-867-001A  
 20 LB COIN, VF DRIVE, 208-240V  
 WITH START AND STOP BUTTONS