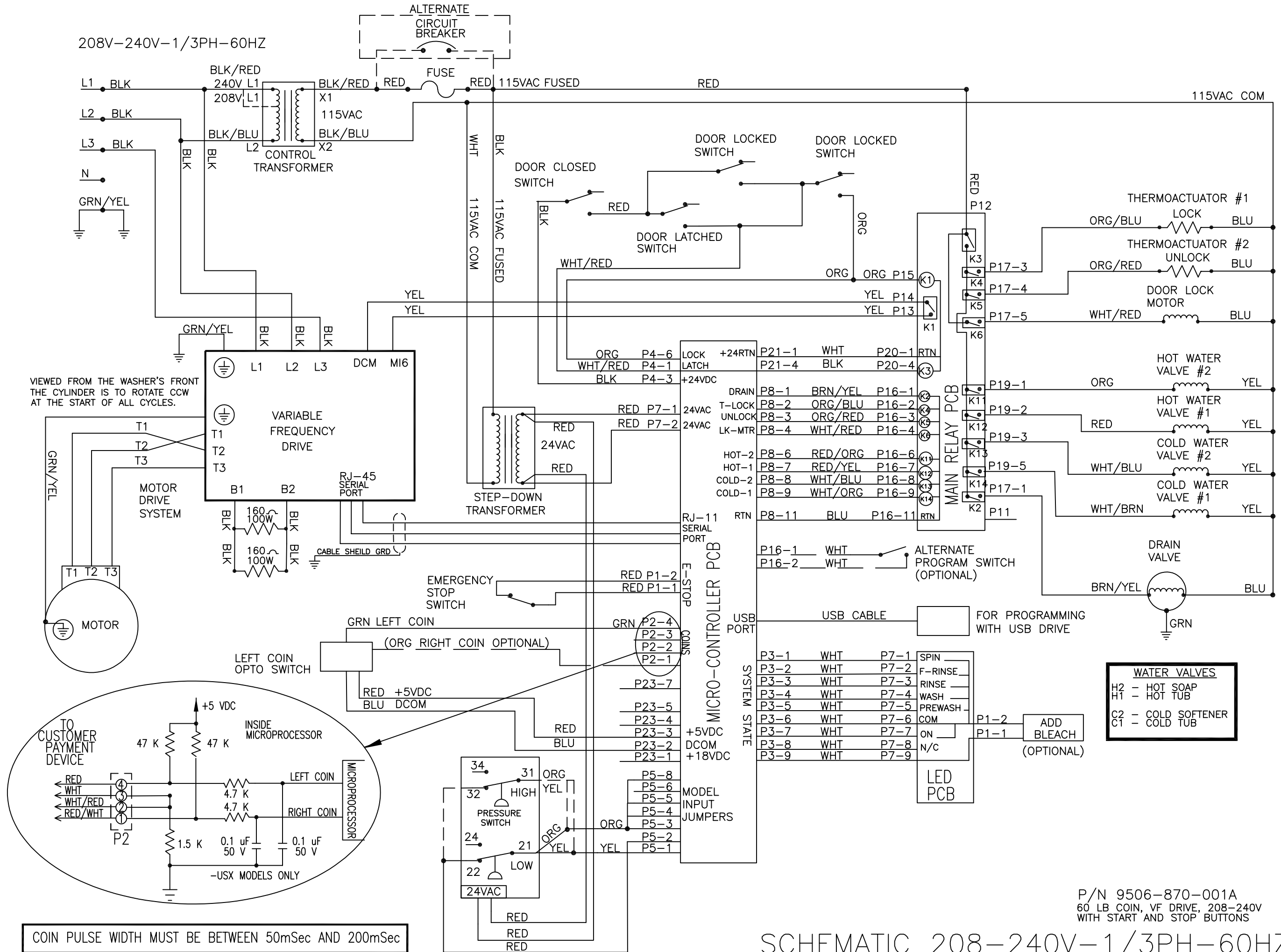
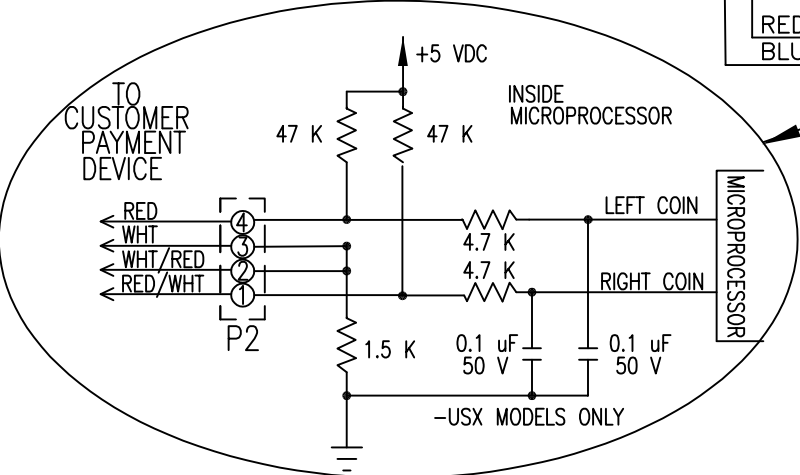


208V-240V-1/3PH-60HZ



VIEWED FROM THE WASHER'S FRONT THE CYLINDER IS TO ROTATE CCW AT THE START OF ALL CYCLES.

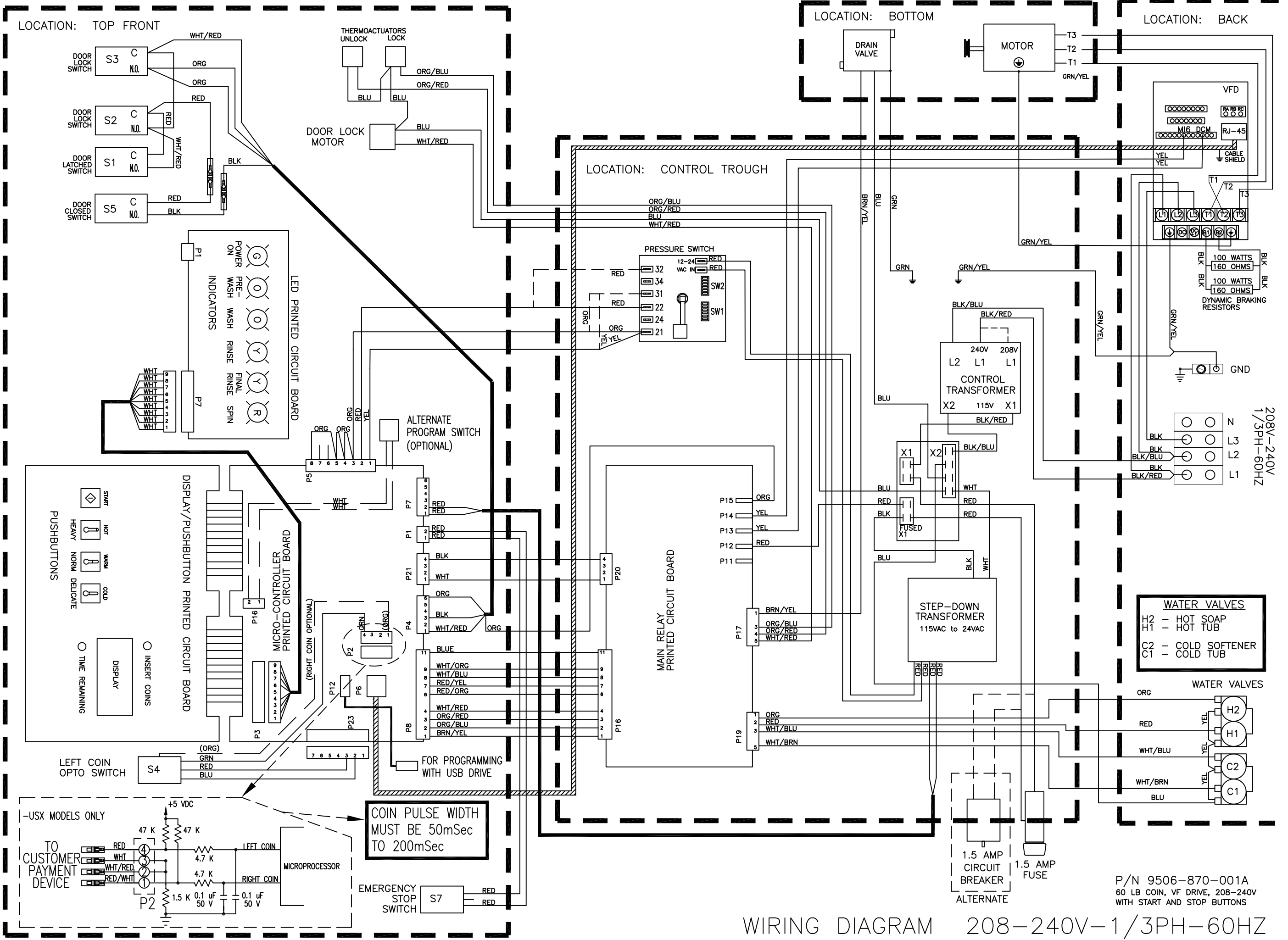


COIN PULSE WIDTH MUST BE BETWEEN 50mSec AND 200mSec

WATER VALVES	
H2	HOT SOAP
H1	HOT TUB
C2	COLD SOFTENER
C1	COLD TUB

P/N 9506-870-001A  
60 LB COIN, VF DRIVE, 208-240V  
WITH START AND STOP BUTTONS

SCHEMATIC 208-240V-1/3PH-60HZ



WIRING DIAGRAM 208-240V-1/3PH-60HZ

P/N 9506-870-001A  
60 LB COIN, VF DRIVE, 208-240V  
WITH START AND STOP BUTTONS