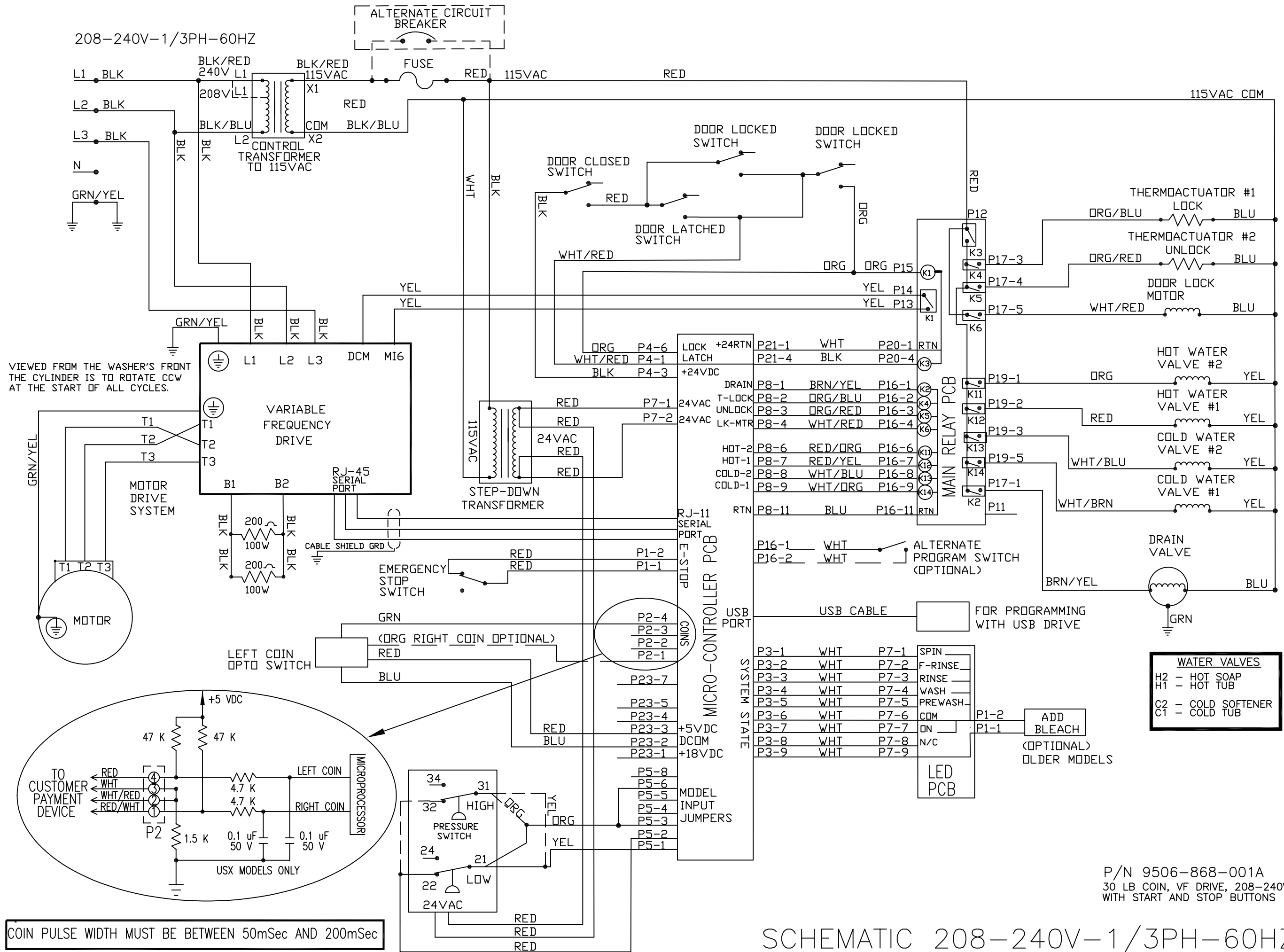
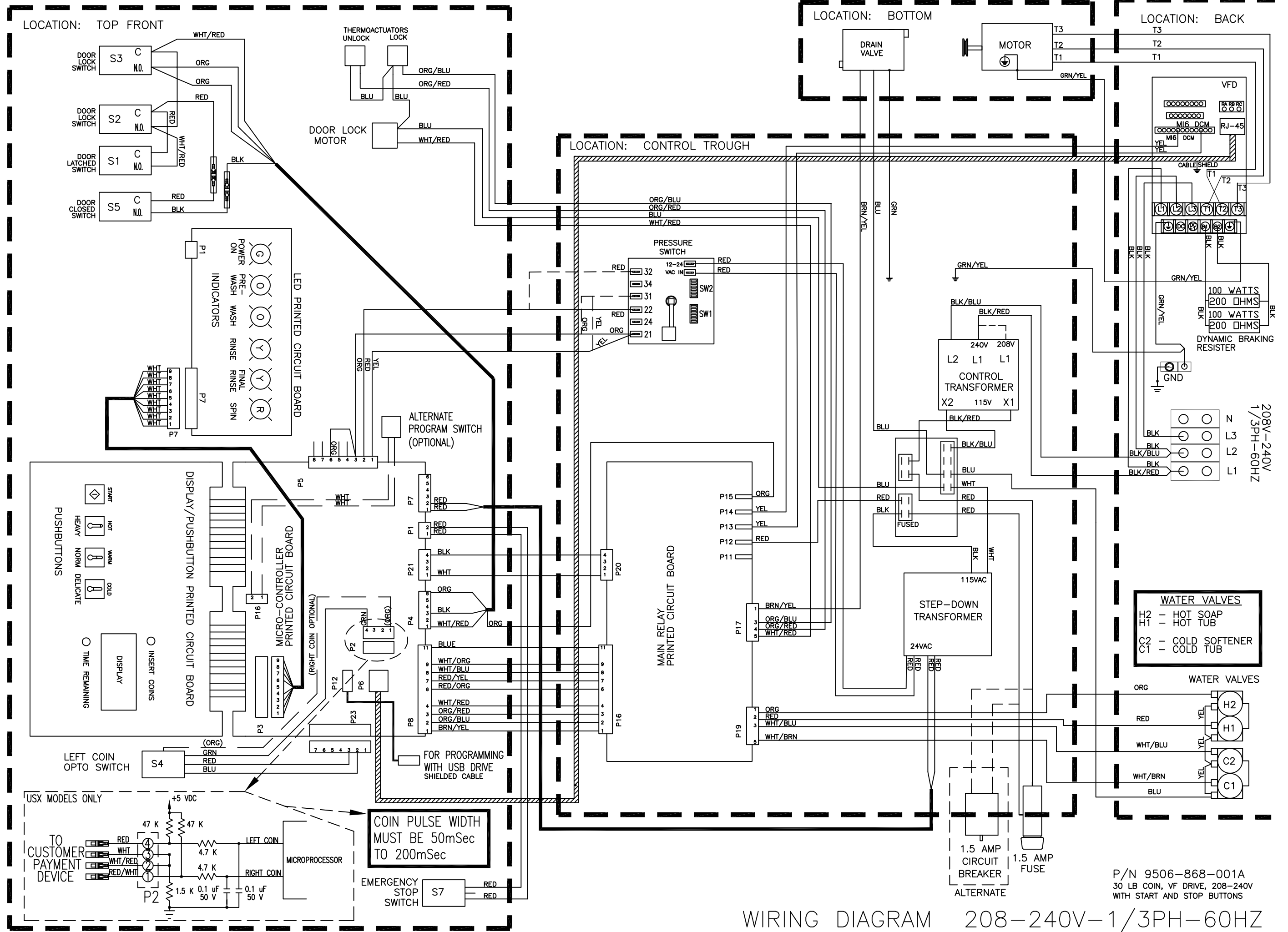


208-240V-1/3PH-60HZ





WIRING DIAGRAM 208-240V-1/3PH-60HZ

P/N 9506-868-001A
 30 LB COIN, VF DRIVE, 208-240V
 WITH START AND STOP BUTTONS