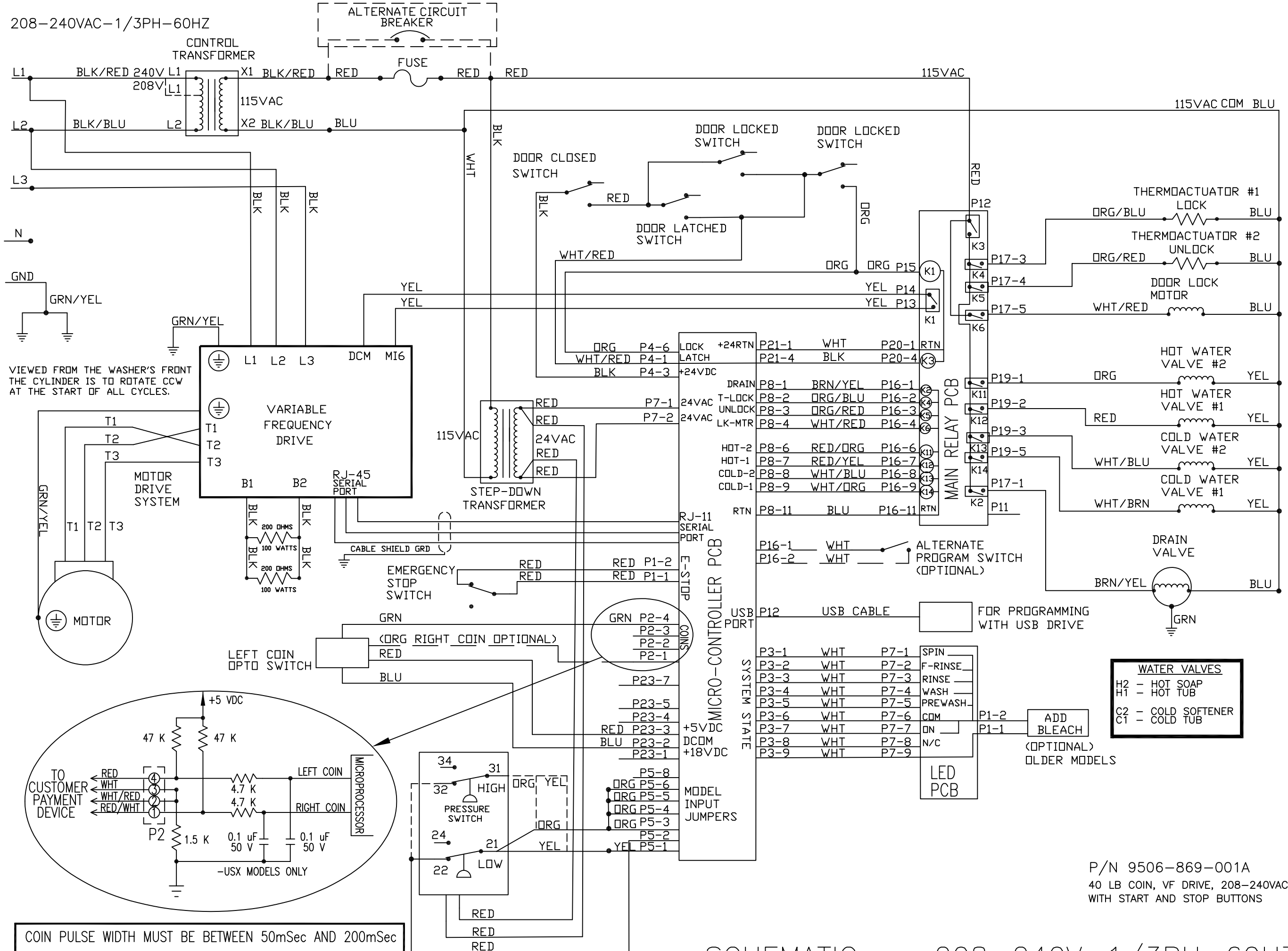


208-240VAC-1/3PH-60HZ

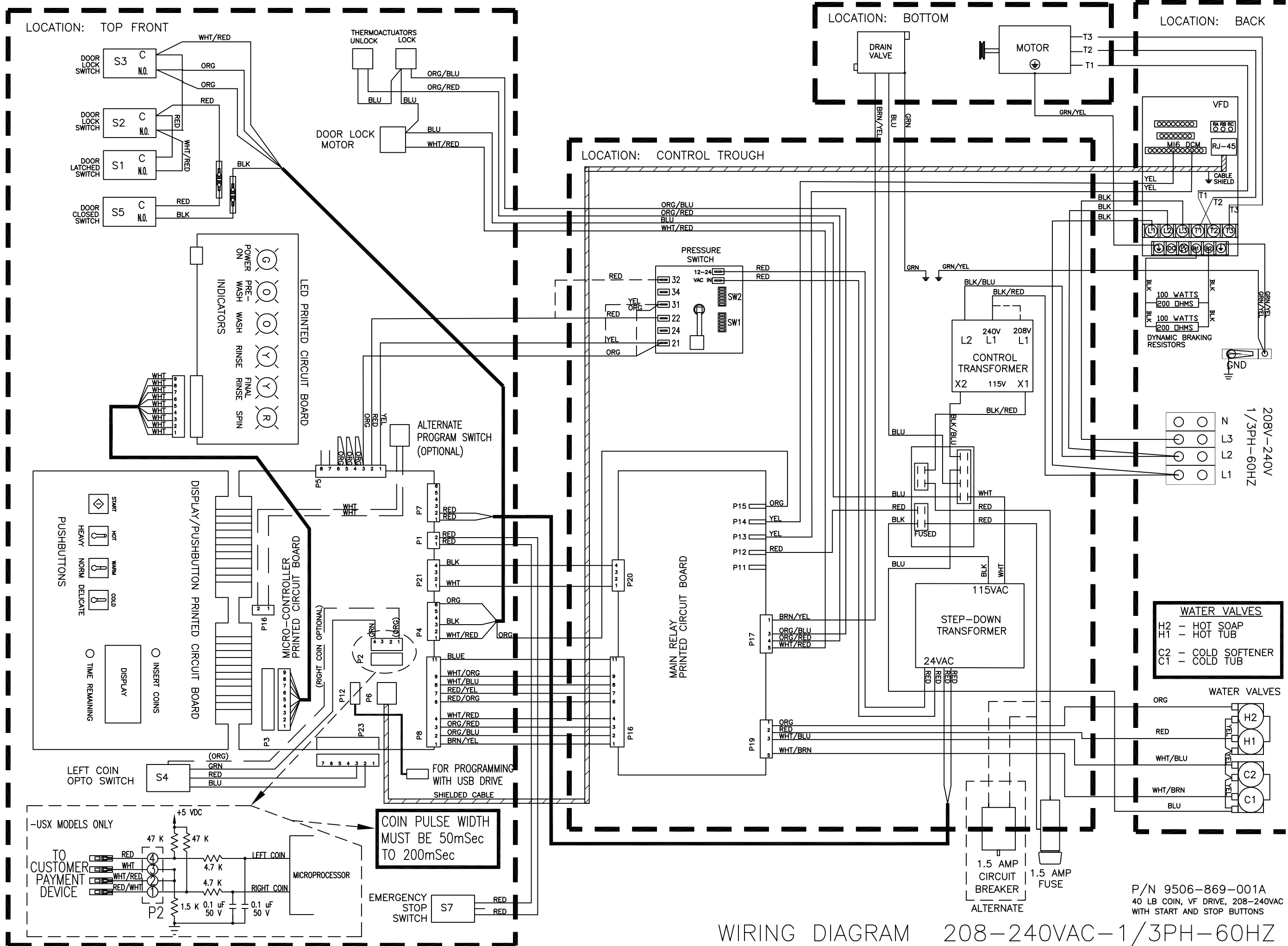


VIEWED FROM THE WASHER'S FRONT
THE CYLINDER IS TO ROTATE CCW
AT THE START OF ALL CYCLES.

WATER VALVES
 H2 - HOT SOAP
 H1 - HOT TUB
 C2 - COLD SOFTENER
 C1 - COLD TUB

P/N 9506-869-001A
 40 LB COIN, VF DRIVE, 208-240VAC
 WITH START AND STOP BUTTONS

COIN PULSE WIDTH MUST BE BETWEEN 50mSec AND 200mSec



WIRING DIAGRAM 208-240VAC-1/3PH-60HZ

P/N 9506-869-001A
 40 LB COIN, VF DRIVE, 208-240VAC
 WITH START AND STOP BUTTONS