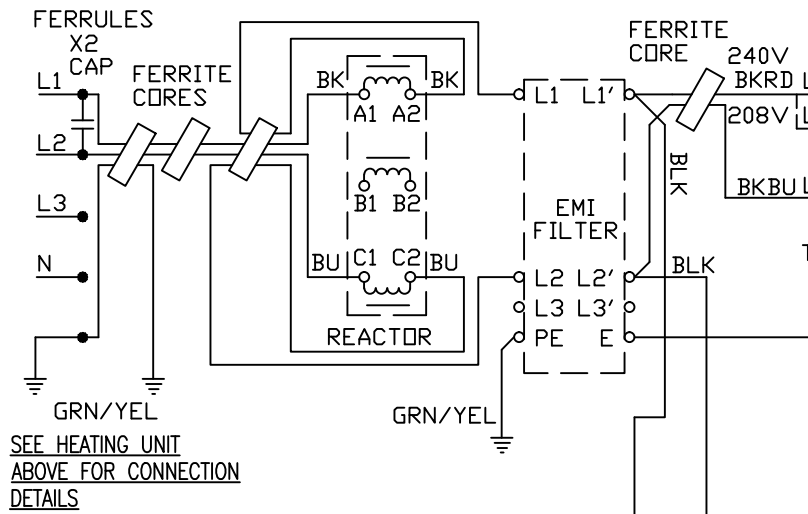
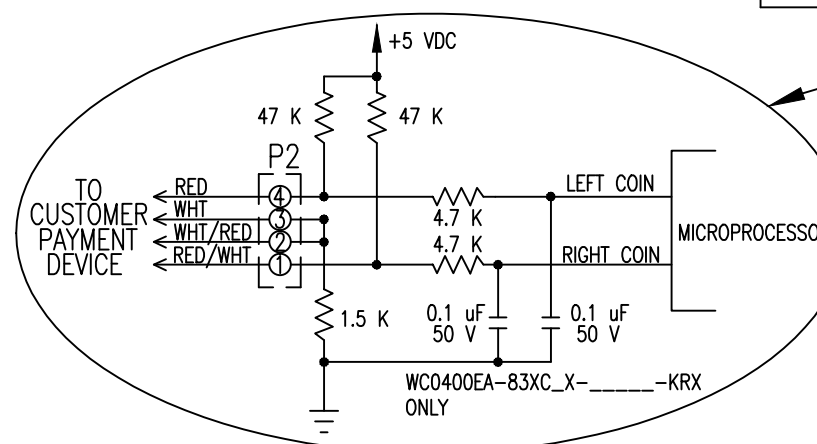
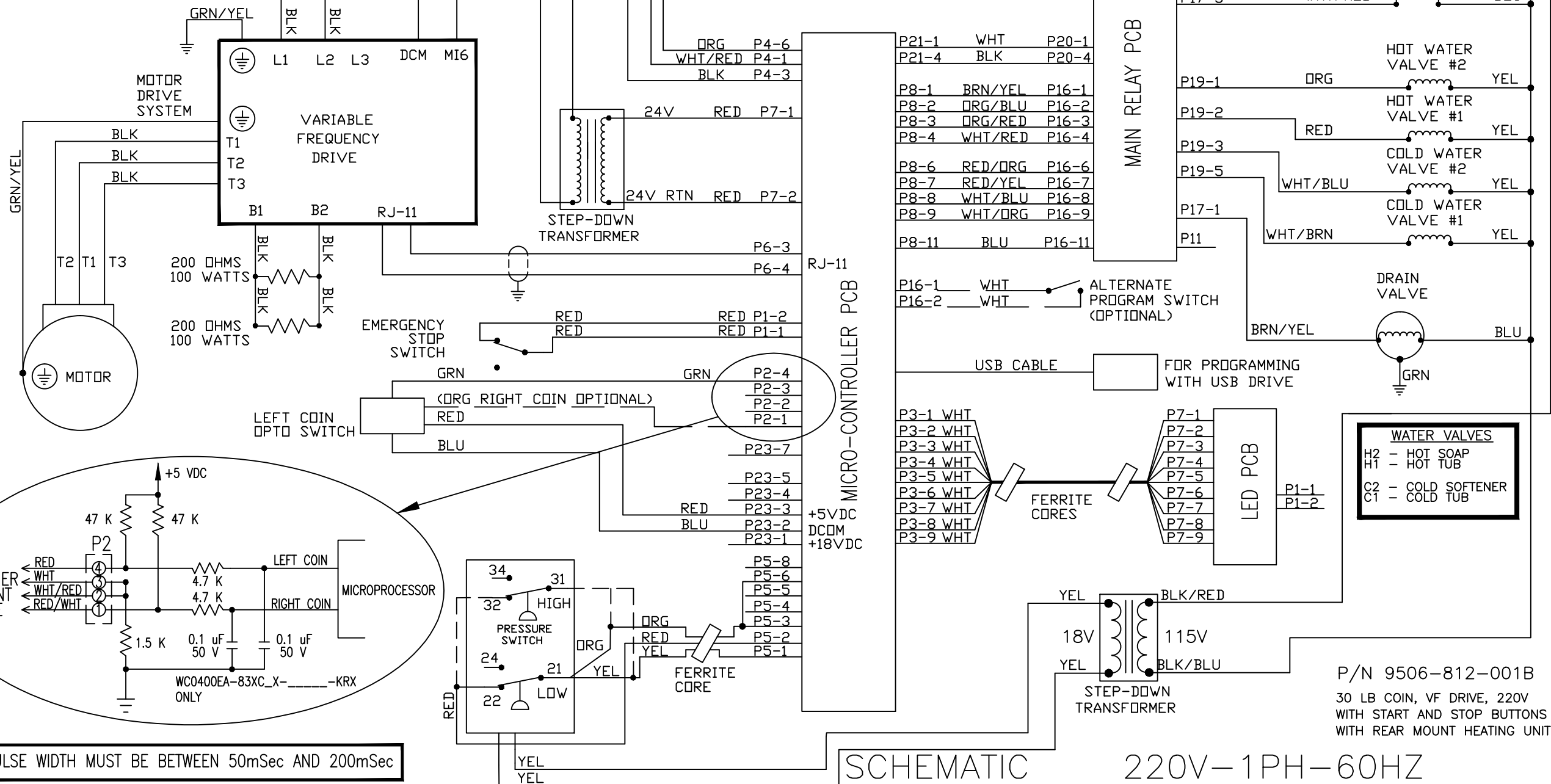


MAIN WASHER CONNECTION  
220V-1PH-60HZ  
L3 NOT USED FOR 1PH POWER



SEE HEATING UNIT ABOVE FOR CONNECTION DETAILS

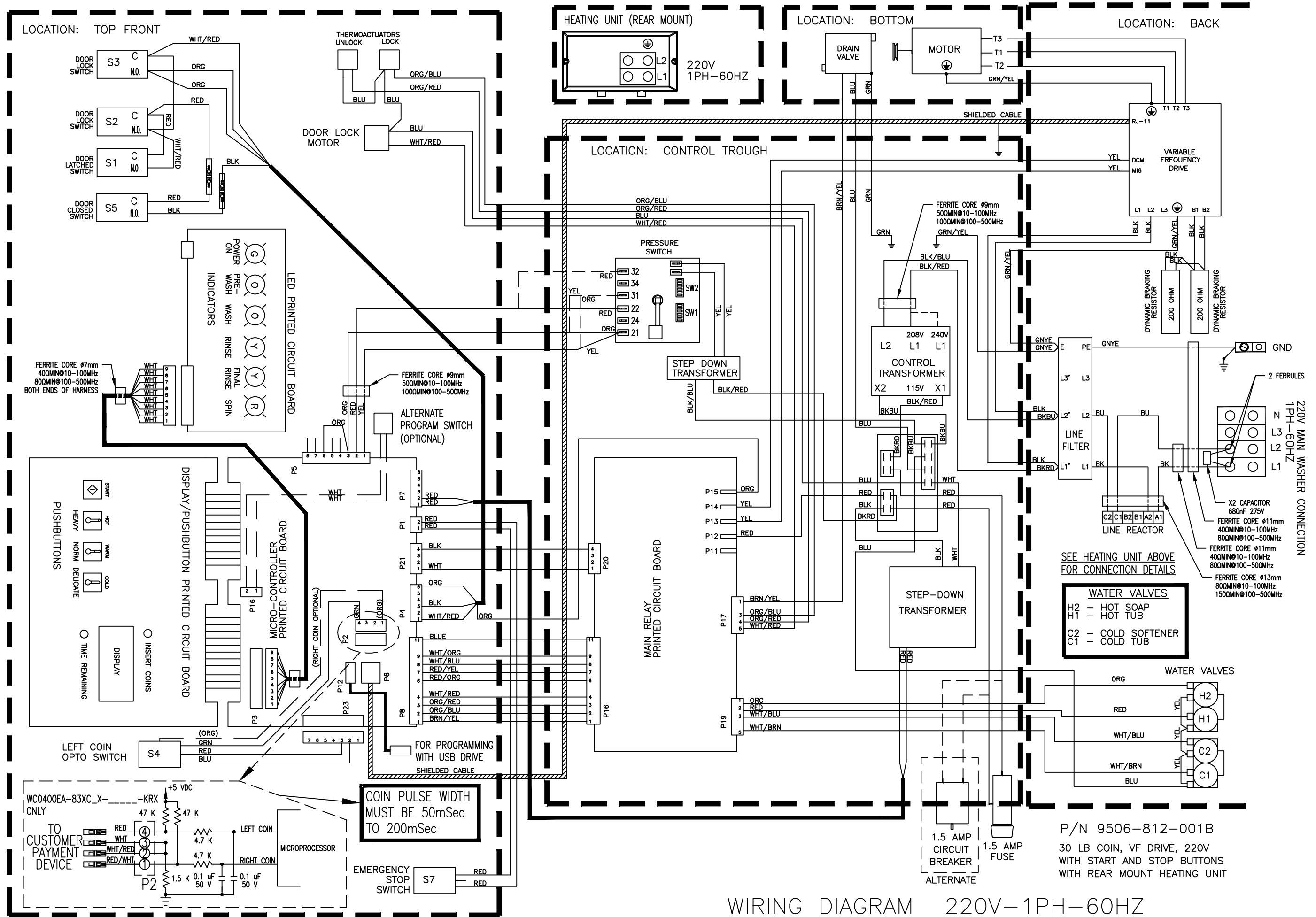


COIN PULSE WIDTH MUST BE BETWEEN 50mSec AND 200mSec

**WATER VALVES**  
H2 - HOT SOAP  
H1 - HOT TUB  
C2 - COLD SOFTENER  
C1 - COLD TUB

P/N 9506-812-001B  
30 LB COIN, VF DRIVE, 220V  
WITH START AND STOP BUTTONS  
WITH REAR MOUNT HEATING UNIT

SCHEMATIC 220V-1PH-60HZ



WIRING DIAGRAM 220V-1PH-60HZ

P/N 9506-812-001B  
 30 LB COIN, VF DRIVE, 220V  
 WITH START AND STOP BUTTONS  
 WITH REAR MOUNT HEATING UNIT