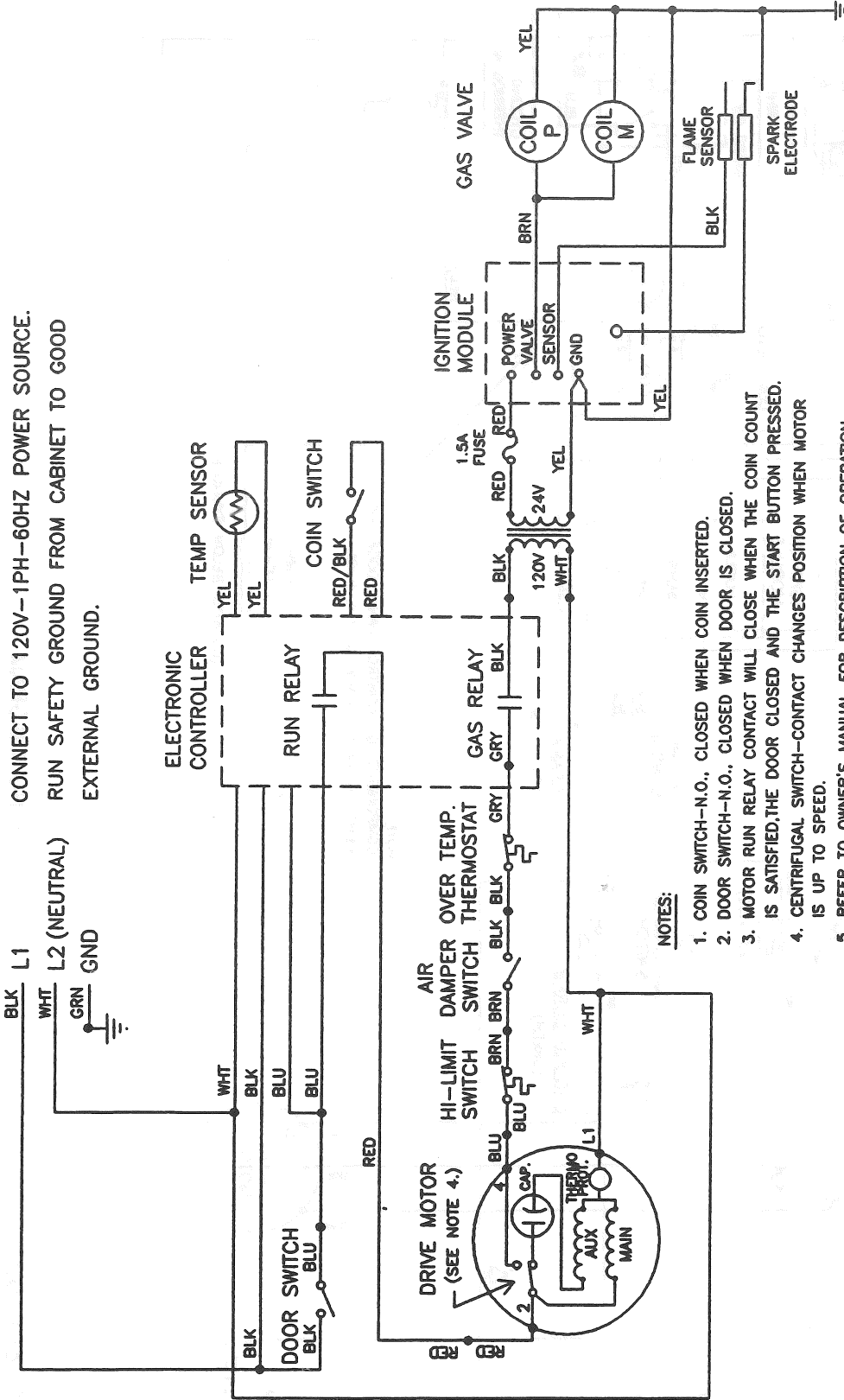
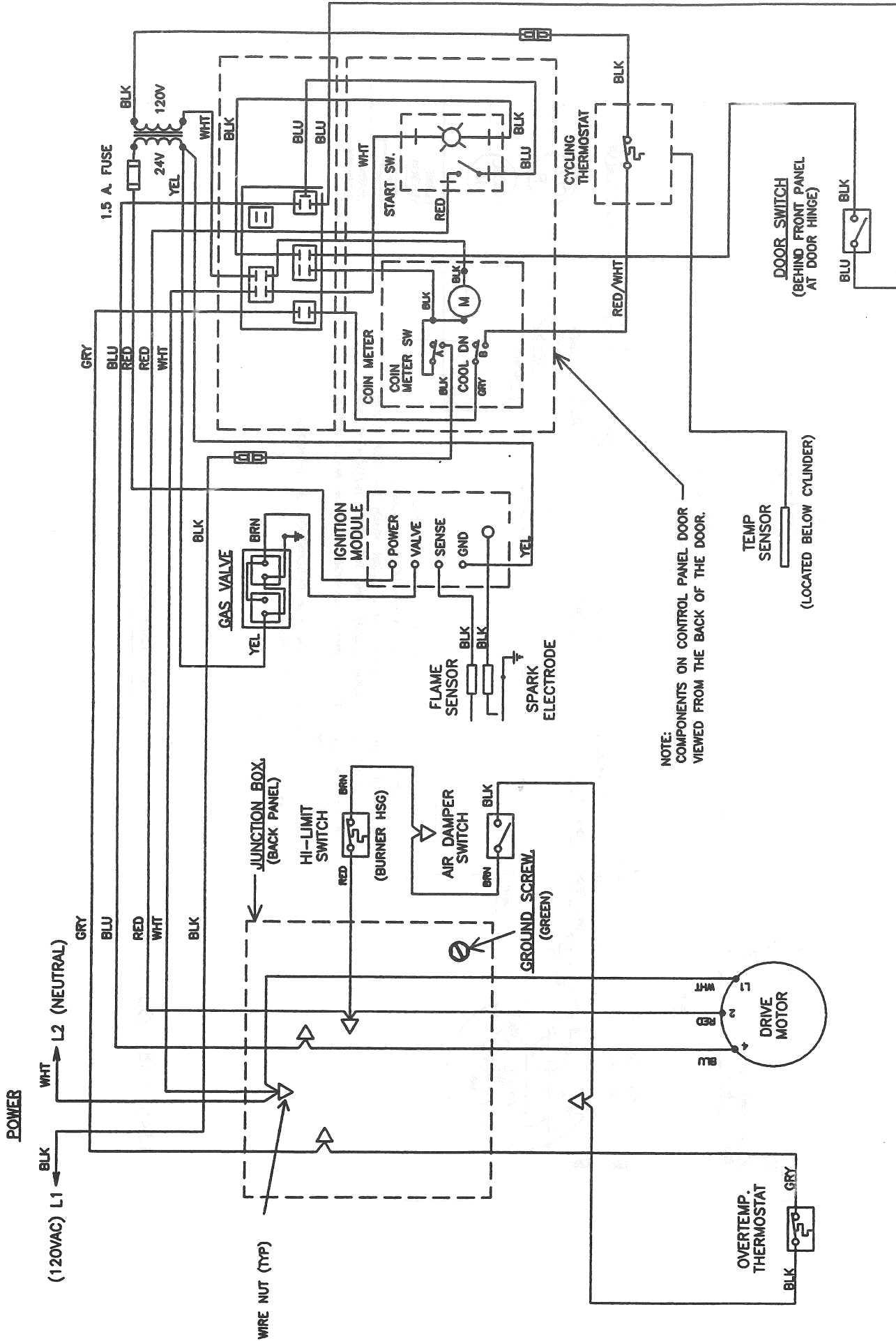


CONNECT TO 120V-1PH-60HZ POWER SOURCE.  
 RUN SAFETY GROUND FROM CABINET TO GOOD  
 EXTERNAL GROUND.



NOTES:

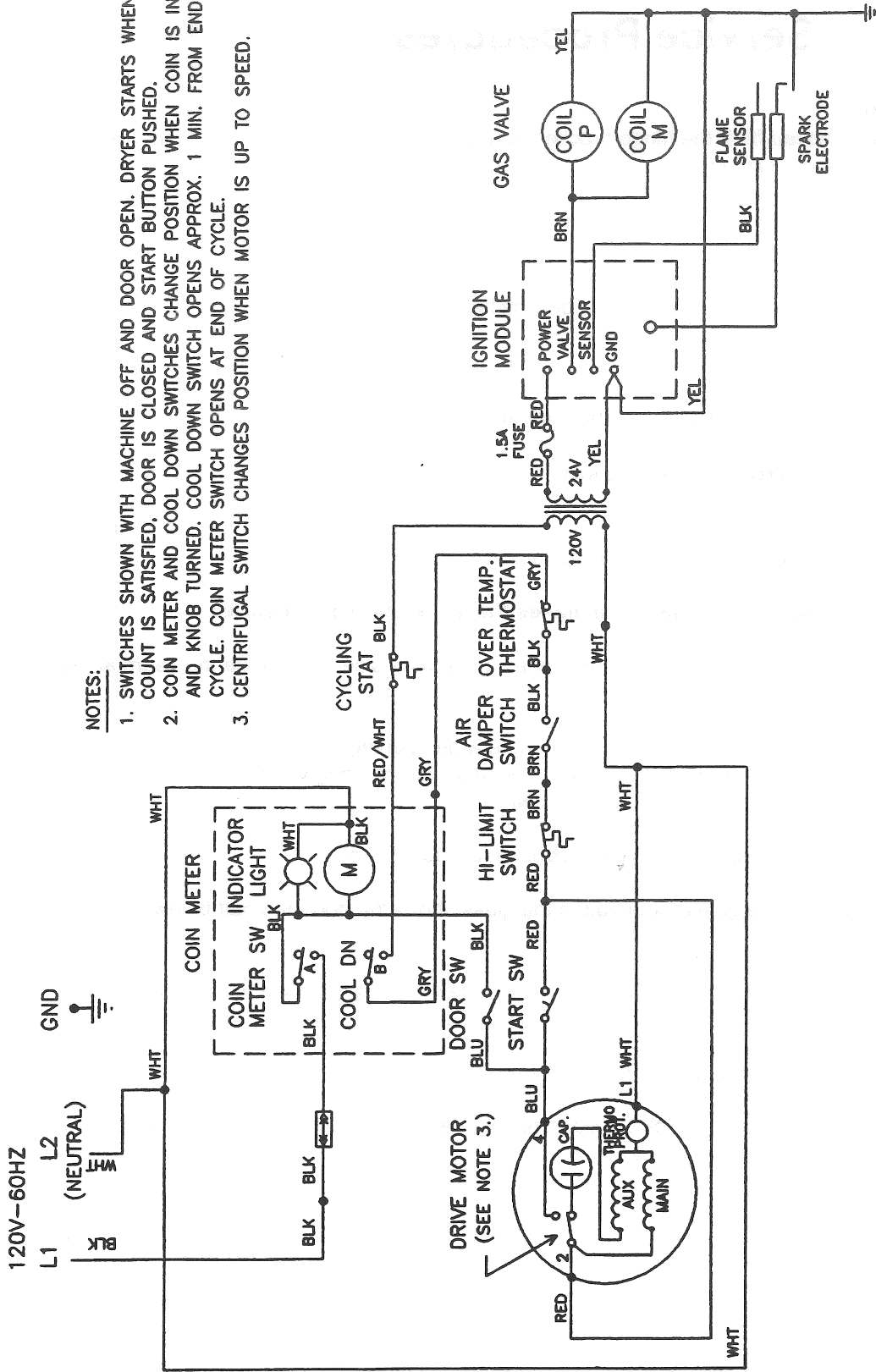
1. COIN SWITCH-N.O., CLOSED WHEN COIN INSERTED.
2. DOOR SWITCH-N.O., CLOSED WHEN DOOR IS CLOSED.
3. MOTOR RUN RELAY CONTACT WILL CLOSE WHEN THE COIN COUNT IS SATISFIED, THE DOOR CLOSED AND THE START BUTTON PRESSED.
4. CENTRIFUGAL SWITCH-CONTACT CHANGES POSITION WHEN MOTOR IS UP TO SPEED.
5. REFER TO OWNER'S MANUAL FOR DESCRIPTION OF OPERATION AND REQUIREMENTS FOR HEATING CIRCUIT.



WIRING DIAGRAM

DRR55

9345-841-003



NOTES:

1. SWITCHES SHOWN WITH MACHINE OFF AND DOOR OPEN. DRYER STARTS WHEN COIN COUNT IS SATISFIED, DOOR IS CLOSED AND START BUTTON PUSHED.
2. COIN METER AND COOL DOWN SWITCHES CHANGE POSITION WHEN COIN IS INSERTED AND KNOB TURNED. COOL DOWN SWITCH OPENS APPROX. 1 MIN. FROM END OF CYCLE. COIN METER SWITCH OPENS AT END OF CYCLE.
3. CENTRIFUGAL SWITCH CHANGES POSITION WHEN MOTOR IS UP TO SPEED.

9345-840-003

SCHEMATIC

DRR55