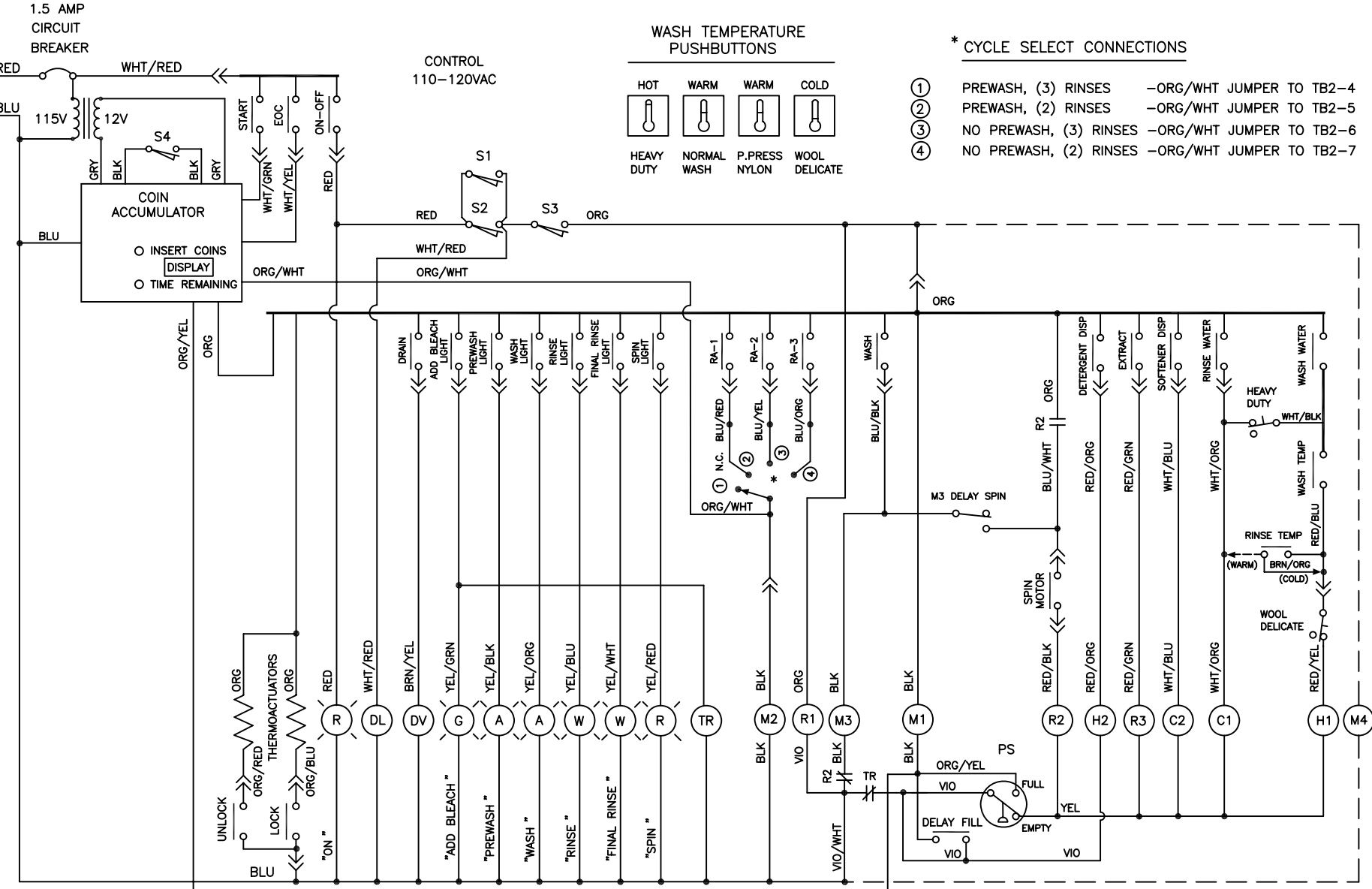


☐ FOR SINGLE PHASE POWER CONNECT L1,L2 AND GND.
 FOR 3 PHASE POWER CONNECT L1,L2,L3, AND GND.
 (IF THERE IS A HIGH LEG IT MUST BE CONNECTED TO L3).

LEGEND

- C1 COLD WATER VALVE SOLENOID (TUB)
- C2 COLD WATER VALVE SOLENOID (SOFTENER DISPENSER)
- DL DOOR LOCK SOLENOID
- DV DRAIN VALVE
- H1 HOT WATER VALVE SOLENOID (TUB)
- H2 HOT WATER VALVE SOLENOID (DETERGENT DISPENSER)
- M1 MAIN TIMER MOTOR
- M2 RAPID ADVANCE TIMER MOTOR
- M3 REVERSING TIMER MOTOR
- M4 ELAPSED TIME METER (OPTIONAL)
- PS PRESSURE SWITCH
- R1 RUN RELAY
- R2 SPIN MOTOR CONTACTOR (CCW)
- R3 EXTRACT RELAY
- S1 DOOR SWITCH (DOOR LATCHED)
- S2 LOCK SWITCH (DOOR LOCKED)
- S3 LOCK SWITCH (DOOR LOCKED)
- S4 COIN COUNT SWITCH
- TR EXTENDED WASH TIMER
- MAIN TIMER CONTACT
- PUSHBUTTON CONTACT
- || NORMALLY OPEN RELAY CONTACT
- || NORMALLY CLOSED RELAY CONTACT
- || INTERNAL TIMER CONNECTION
- INDICATOR LIGHT



- * CYCLE SELECT CONNECTIONS**
- ① PREWASH, (3) RINSES -ORG/WHT JUMPER TO TB2-4
 - ② PREWASH, (2) RINSES -ORG/WHT JUMPER TO TB2-5
 - ③ NO PREWASH, (3) RINSES -ORG/WHT JUMPER TO TB2-6
 - ④ NO PREWASH, (2) RINSES -ORG/WHT JUMPER TO TB2-7

CAM	SWITCH FUNCTION	PREWASH (4 MIN)	DRAIN	WASH (8 MIN)	DRAIN	RINSE (3M-45SEC)	DRAIN	RINSE (3M-45SEC)	DRAIN	SPIN	FINAL RINSE (3M-45SEC)	DRAIN	EXTRACT (4M-8SEC)	TUMBLE	OFF
0	T B DRAIN EXTRACT														
1	T B START RA-3														
2	T B WASH MOTOR														
3	T B ON-OFF END OF CYCLE (EOC)														
4	T B RA-1 RA-2														
5	T B WASH TEMP RINSE TEMP														
6	T B RINSE LITE PREWASH LITE														
7	T B SPIN MOTOR														
8	T B SOFTENER DISP														
9	T B ADD BLEACH LITE SPIN LITE														
10	T B WASH LITE RINSE WATER														
11	T B DELAY FILL														
12	T B														
13	T B LOCK UNLOCK														
14	T B DETERGENT DISP WASH WATER														
15	T B (NOT AVAILABLE) FINAL RINSE LITE														