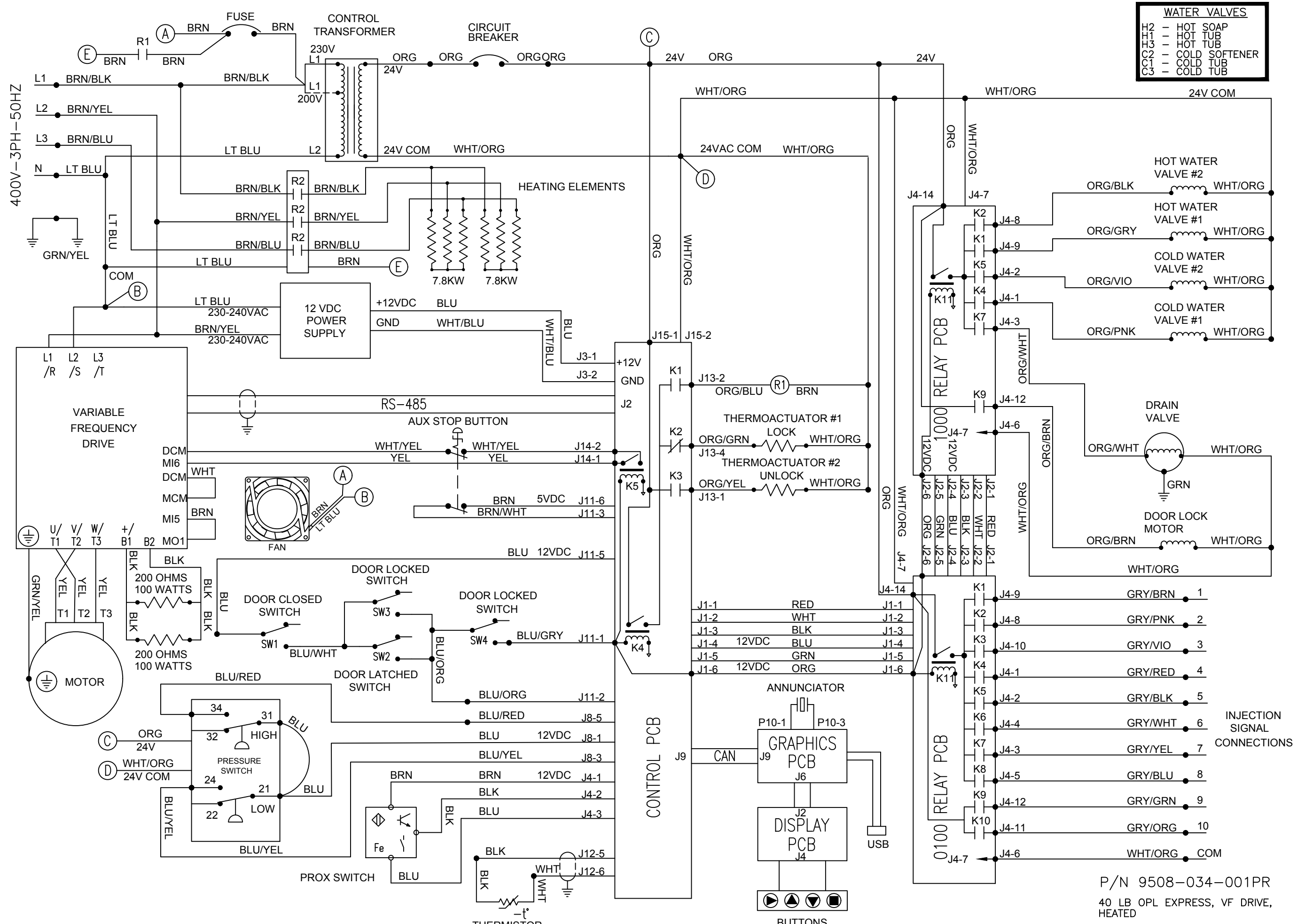


WIRING DIAGRAM 400V, 3PH, 50HZ

P/N 9507-034-001A
 40 LB OPL EXPRESS, VF DRIVE
 ELECTRIC HEAT
 WN0650EA-68_0_X-_____X



WATER VALVES	
H2	- HOT SOAP
H1	- HOT TUB
H3	- HOT TUB
C2	- COLD SOFTENER
C1	- COLD TUB
C3	- COLD TUB

P/N 9508-034-001PR
 40 LB OPL EXPRESS, VF DRIVE,
 HEATED

SCHEMATIC

400V-3PH-50HZ