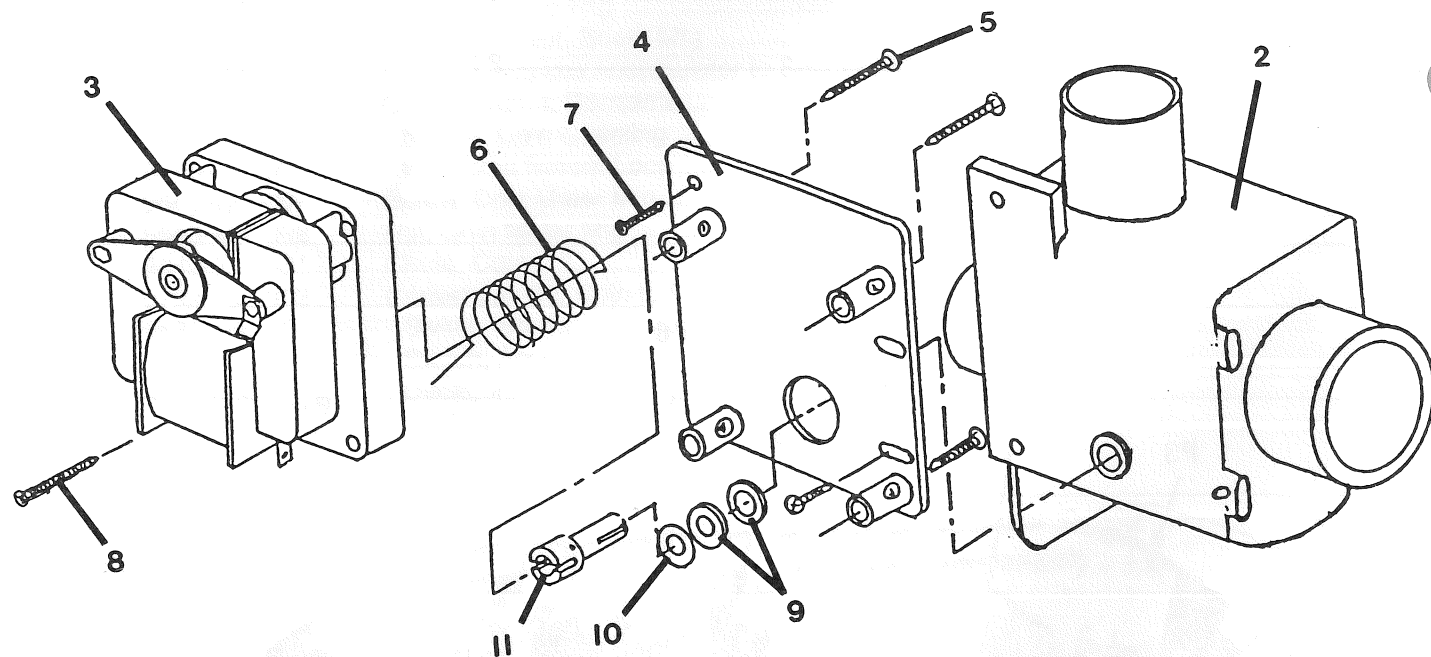


Drain Valve Group

Key	Part Number	Description	
1	9379-177-003	Valve Drain, Complete (120 volt-60hz)	1
2	9064-063-001	Body, Valve (with ball)	1
3	9914-137-004	Motor and Gear Train (120 volt-60hz)	1
4	9452-538-001	Plate, Motor Mtg	1
5	8639-994-001	Screw	3
6	9534-340-001	Spring, Drive	1
7	9545-054-001	Screw	2
8	9545-054-002	Screw	1
9	9532-134-001	Seal, V Packer	2
10	8641-584-001	Washer	1
11	9451-185-001	Pin, Main Drive	1



Section 7 Preventative Maintenance

Daily

1. Clean the top and the cabinet to remove residue.
2. Clean the soap dispenser and soap lid.
3. Check the drain for leaking and proper draining.
4. Check the loading door for leaks.
5. Clean the door seal of all foreign material.
6. Leave the loading door open to aerate the washer when not in use.

Quarterly

Make sure the power is disconnected before making the following checks.

1. Check the drive belt for wear and proper tension.
2. Clean lint and other foreign material from around drive motor.
3. Check all water connections for leaks.
4. Wipe and clean the inside of the washer and check all electrical components for moisture and dust.
5. Remove and clean water inlet hose filters. Replace if necessary.
6. Check the transmission for correct oil level.
7. After any service always replace all panels before reconnecting electrical power.

