

**INDUSTRIAL DRYER
MODEL T-20X2, T-30X2 & T-50X2 ON-PREMISE
B-SERIES CONTROL, NATURAL GAS/LP HEATED**



DEXTER
LAUNDRY

**OPERATOR'S MANUAL
INSTALLATION & OPERATION INSTRUCTIONS**

The dryer must not be stored or installed where it will be exposed to water and/or weather.

**▲ WARNING:
FIRE OR EXPLOSION HAZARD**
Failure to follow safety warnings exactly could result in serious injury, death or property damage.

- Do not store or use gasoline or other flammable vapors and liquids in the vicinity of this or any other appliance.
- WHAT TO DO IF YOU SMELL GAS
 - Do not try to light any appliance.
 - Do not touch any electrical switch; do not use any phone in your building.
 - Clear the room, building or area of all occupants.
 - Immediately call your gas supplier from a neighbor's phone. Follow the gas supplier's instructions.
 - If you cannot reach your gas supplier, call the fire department.
- Installation and service must be performed by a qualified installer, service agency or the gas supplier.

Post the following "**For Your Safety**" caution in a prominent location:

FOR YOUR SAFETY
Do not store or use gasoline or other flammable vapors or liquids in the vicinity of this or any other appliance.

It is important that you read this Manual and retain it for future reference. For service or replacement parts, contact the distributor in your area or the manufacturer.

▲ AVERTISSEMENT. Assurez-vous de bien suivre les instructions données dans cette notice pour réduire au minimum le risque d'incendie ou d'explosion ou pour éviter tout dommage matériel, toute blessure ou la mort.

- Ne pas entreposer ni utiliser d'essence ni d'autres vapeurs ou liquides inflammables dans le voisinage de cet appareil ou de tout autre appareil.
- QUE FAIRE SI VOUS SENTEZ UNE ODEUR DE GAZ:
 - Ne pas tenter d'allumer d'appareil.
 - Ne touchez à aucun interrupteur. Ne pas vous servir des téléphones se trouvant dans le bâtiment où vous vous trouvez.
 - Évacuez la pièce, le bâtiment ou la zone.
 - Appelez immédiatement votre fournisseur de gaz depuis un voisin. Suivez les instructions du fournisseur.
 - Si vous ne pouvez rejoindre le fournisseur de gaz, appelez le service des incendies.
- L'installation et l'entretien doivent être assurés par un installateur ou un service d'entretien qualifié

POUR VOTRE SÉCURITÉ

Ne pas entreposer ni utiliser d'essence ni d'autres vapeurs ou liquides inflammables dans le voisinage de cet appareil ou de tout autre appareil.

You, the purchaser, must post in a prominent location instructions to be followed in the event the user smells gas. Consult your local gas supplier for procedure to be followed if the odor of gas is present.

Dexter Laundry, Inc.
2211 W. Grimes
Fairfield, Iowa 52556

TABLE OF CONTENTS

	Page No.
Warnings about use and operation	2
Dryer Specifications	3-6
Dryer Dimensions	7-15
Installation Instructions	16-20
Dryer Shutdown	20
Description of Dryer Control	21-22
Dryer Fault Codes	23
Operating Instructions	27
Programming the Dryer Control	28
Servicing and Troubleshooting	39
Preventative Maintenance Instructions	40
Dual Voltage Conversion Instructions	41

WARNINGS ABOUT USE AND OPERATION

DO NOT MODIFY THIS APPLIANCE. KEEP SHIELDS, GUARDS, AND COVERS IN PLACE. These safety devices are provided to protect everyone from injury.

It is **ABSOLUTELY ESSENTIAL** that the dryer be grounded to a known earth (zero) ground in accordance with local codes or, in the absence of local codes, with the latest editions of the National Electric Code, ANSI//NFPA 70 or Standard CSA C22.1 Canadian Electrical Code Part 1. This is not only for personal safety, but is necessary for proper operation of the controller. Failure to do so will void the warranty of the controller.

A DRYER SHOULD BE CONNECTED TO POWER FOR THREE (3) MINUTES before it is operated or before a program change is made. Operation or program changes, which occur during this "power up" period, are subject to loss in case of power interruption. After the initial three minutes, all programmed data is protected from power interruptions of any length and the customer's individual cycle is protected up to 3 seconds. This is done without batteries.

LEAVE THE ELECTRICAL POWER TO THE DRYER ON AT ALL TIMES except when necessary for service or other similar activities. The hour meter function adds only full hours to its reading. If the power is shut off every night, any fraction of an hour of time that is on the machine at that time will be lost. Turning the power off every night could also have some effect on the long-term life of the memory after a number of years. Turning power off occasionally won't affect the unit.

THIS DRYER IS EQUIPPED WITH AN OVER-TEMPERATURE THERMOSTAT located on the side of the burner housing for T-30X2 and T-50X2 above the gas valve (located on side of exhaust duct for T-20X2 below burner housing). Should the dryer cease to operate, refer to your "Service Procedure and Parts Data" book for instructions.

CHECK THIS THERMOSTAT WHEN INSTALLING DRYER to assure it is not tripped. Impacts such as rough handling in shipment, may trip the thermostat. It may be reset by inserting a wooden pencil or dowel through the bushing in the cover. Note: there is no cover on the T-20X2 model.

DO NOT SPRAY AEROSOLS IN THE VICINITY OF THIS APPLIANCE while in operation.

THIS APPLIANCE SHALL NOT BE USED TO DRY OFF SOLVENTS OR DRY-CLEANING FLUIDS.

SPECIFICATIONS

20 lb. Commercial Stack Dryer: T-20X2 – DN20X2N_-15EB_X (60 Hz), DN20X2N_-39AB_X (50 Hz)

Cabinet Height	68 1/2"	1740 mm.
(Assumes minimum leveling leg adjustment)		
Cabinet Width	27"	686 mm.
Cabinet Depth	44 5/8"	1133 mm.
Floor to Bottom of Door- Bottom Dryer	8 1/2"	216 mm.
Floor to Bottom of Door- Top Dryer	42"	1067 mm.
Door Opening	18 1/8"	460 mm.
Dry Wt. Capacity	20 x 2 lbs.	9.1 x 2 kg.
Cylinder Diameter	25 1/2"	648 mm.
Cylinder Depth	24"	610 mm.
Cylinder Volume	7.0 cu. ft.	198 liters
Lint Screen Area	285 sq. in.	1839 sq. cm.
Gas Input (per dryer- 60 hz)	56,000 Btu/hr	59MJ/hr (16.4 kW)
Gas Input (per dryer- 50 hz)	47,000 Btu/hr	50MJ/hr (13.8 kW)
Gas Supply Connection	1/2"	12.7 mm.
Natural Gas Supply (Water Column)	5" - 8"	127 mm. - 203 mm./1.25kPa – 1.99kPa
Natural Burner Manifold		
(60 hz Water Column)	3.5"	88.9 mm./0.87kPa
(50 hz Water Column)	3.5"	88.9 mm./0.87kPa
Propane or ULPG Supply (Water Column)	11.5" – 13.5"	292 mm. - 343 mm./2.86kPa – 3.36kPa
Burner Manifold Pressure		
Propane (60 hz Water Column)	11"	279 mm./2.75kPa
Propane or ULPG (50 hz Water Column)	11"	279 mm./2.75kPa
Exhaust Size	8"	203 mm.
Make-up Air	1.0 sq. ft.	929 sq. cm.
Example: 1.0 sq. ft = 1 ft. long X 1 ft. wide		
Motor Size (per dryer)	1/3 H.P.	.248 kW
Airflow (per dryer - 60 hz)	370 CFM	10.5 m ³ /min
Airflow (per dryer - 50 hz)	300 CFM	8.5 m ³ /min

Electrical Specifications - 120/60/1

Voltage/Hz/Phase	120V/60Hz/1Phase
Running Amps	7.8
Circuit Protection Amps	20
Wire Size	12 gauge
Electrical Service	2 wire + ground

Electrical Specifications - 208-240/60/1

Voltage/Hz/Phase	208-240V/60Hz/1Phase
Running Amps	3.8
Circuit Protection Amps	15
Wire Size	12 gauge
Electrical Service	2 wire + ground

Electrical Specifications - 230/50/1

Voltage/Hz/Phase	230V/50Hz/1Phase
Running Amps	6.6
Circuit Protection Amps	15
Wire Size	12 gauge
Electrical Service	2 wire + ground

Shipping Weight	650 lbs.	295 kg.
Net Weight	615 lbs.	279 kg.
Clearance Behind Machines (min.)	18"	457 mm.

SPECIFICATIONS

30 lb. Industrial Stack Dryer: T-30X2 - DN30X2N_-15EB_X (60 Hz), DN30X2N_-39AB_X (50 Hz)

Cabinet Height	76 1/4"	1937 mm.
(Assumes minimum leveling leg adjustment)		
Cabinet Width	31 1/2"	800 mm.
Cabinet Depth	49 1/2"	1257 mm.
Floor to Bottom of Door- Bottom Dryer	7 5/8"	194 mm.
Floor to Bottom of Door- Top Dryer	45 1/4"	1149 mm.
Door Opening	22 5/8"	575 mm.
Dry Wt. Capacity	30 x 2 lbs.	13.6 x 2 kg.
Cylinder Diameter	30"	762 mm.
Cylinder Depth	27 1/2"	699 mm.
Cylinder Volume	11.25 cu. ft.	319 liters
Lint Screen Area	453 sq. in.	2923 sq. cm.
Gas Input (per dryer- 60 hz)	90,000 Btu/hr	95MJ/hr (26.4 kW)
Gas Input (per dryer- 50 hz)	74,000 Btu/hr	78MJ/hr (21.7 kW)
Gas Supply Connection	1/2"	12.7 mm.
Natural Gas Supply (Water Column)	5" - 8"	127 mm. - 203 mm./1.25kPa – 1.99kPa
Natural Burner Manifold		
(60 hz Water Column)	3.5"	88.9 mm./0.87kPa
(50 hz Water Column)	3.4"	86.4 mm./0.84kPa
Propane or ULPG Supply (Water Column)	11.5" – 13.5"	292 mm. - 343 mm./2.86kPa - 3.36kPa
Burner Manifold Pressure		
Propane (60 hz Water Column)	11"	279 mm./2.75kPa
Propane or ULPG (50 hz Water Column)	10"	254 mm./2.50kPa
Exhaust Size	8"	203 mm.
Make-up Air	1.5 sq. ft.	1394 sq. cm.
Example: 1.5 sq. ft = 1 ft. long X 1.5 ft. wide		
Motor Size	1/2 H.P.	.373 kW
Airflow (60 hz)	600 CFM	17.0 m ³ /min
Airflow (50 hz)	500 CFM	14.2 m ³ /min

Electrical Specifications - 120/60/1

Voltage/Hz/Phase	120V/60Hz/1Phase
Running Amps	8.0
Circuit Protection Amps	20
Wire Size	12 gauge
Electrical Service	2 wire + ground

Electrical Specifications - 208-240/60/1

Voltage/Hz/Phase	208-240V/60Hz/1Phase
Running Amps	5.0
Circuit Protection Amps	15
Wire Size	12 gauge
Electrical Service	2 wire + ground

Electrical Specifications - 230/50/1

Voltage/Hz/Phase	230V/50Hz/1Phase
Running Amps	10.0
Circuit Protection Amps	15
Wire Size	12 gauge
Electrical Service	2 wire + ground

Shipping Weight	750 lbs.	340 kg.
Net Weight	699 lbs.	317 kg.
Clearance Behind Machines (min.)	18"	457 mm.

SPECIFICATIONS

50 lb. Industrial Stack Dryer: T-50X2 – DN50X2N_-15EB_X (60 Hz), DN50X2N_-39AB_X (50 Hz)

Cabinet Height	79 1/4"	2012 mm.
(Assumes minimum leveling leg adjustment)		
Cabinet Width	34 1/2"	876 mm.
Cabinet Depth	54 3/4"	1391 mm.
Floor to Bottom of Door- Bottom Dryer	7"	178 mm.
Floor to Bottom of Door- Top Dryer	46"	1168 mm.
Door Opening	25 5/8"	651 mm.
Dry Wt. Capacity	50 x 2 lbs.	22.7 x 2 kg.
Cylinder Diameter	32 1/2"	826 mm.
Cylinder Depth	33"	838 mm.
Cylinder Volume	15.84 cu. ft.	448 liters
Lint Screen Area	544 sq. in.	3510 sq. cm.
Gas Input (per dryer- 60 hz)	108,000 Btu/hr	114MJ/hr (31.7 kW)
Gas Input (per dryer- 50 hz)	96,500 Btu/hr	102MJ/hr (28.3 kW)
Gas Supply Connection	1/2"	12.7 mm.
Natural Gas Supply (Water Column)	5" - 8"	127 mm. - 203 mm./1.25kPa – 1.99kPa
Natural Burner Manifold		
(60 hz Water Column)	3.5"	88.9 mm./0.87kPa
(50 hz Water Column)	3.5"	88.9 mm./0.87kPa
Propane or ULPG Supply (Water Column)	11.5" – 13.5"	292 mm. - 343 mm./2.86kPa - 3.36kPa
Burner Manifold Pressure		
Propane (60 hz Water Column)	11"	279 mm./2.75kPa
Propane or ULPG (50 hz Water Column)	10"	254 mm./2.40kPa
Exhaust Size	8"	203 mm.
Make-up Air	1.5 sq. ft.	1394 sq. cm.
Example: 1.5 sq. ft = 1 ft. long X 1.5 ft. wide		
Motor Size	3/4 H.P.	.560 kW
Airflow (60 Hz)	650 CFM	18.4 m ³ /min
Airflow (50 hz)	510 CFM	14.4 m ³ /min

Electrical Specifications - 120/60/1

Voltage/Hz/Phase	120V/60Hz/1Phase
Running Amps	20.0
Circuit Protection Amps	30
Wire Size	10 gauge
Electrical Service	2 wire + ground

Electrical Specifications - 208-240/60/1

Voltage/Hz/Phase	208-240V/60Hz/1Phase
Running Amps	10.0
Circuit Protection Amps	20
Wire Size	12 gauge
Electrical Service	2 wire + ground

Electrical Specifications - 230/50/1

Voltage/Hz/Phase	230V/50Hz/1Phase
Running Amps	10.0
Circuit Protection Amps	20
Wire Size	12 gauge
Electrical Service	2 wire + ground

Shipping Weight	917 lbs.	416 kg.
Net Weight	857 lbs.	389 kg.
Clearance Behind Machines (min.)	18"	457 mm.

SPECIFICATIONS

50 lb. Industrial Stack Dryer: T-50x2 Reversing Tumbler DN50X2N_-11EB2R (60 Hz), DN50X2N_-39AB2R (50 Hz)

Cabinet Height	79 1/4"	2012 mm.
(Assumes minimum leveling leg adjustment)		
Cabinet Width	34 1/2"	876 mm.
Cabinet Depth	54 3/4"	1391 mm.
Floor to Bottom of Door- Bottom Dryer	7"	178 mm.
Floor to Bottom of Door- Top Dryer	46"	1168 mm.
Door Opening	25 5/8"	651 mm.
Dry Wt. Capacity	50 x 2 lbs.	22.7 x 2 kg.
Cylinder Diameter	32 1/2"	826 mm.
Cylinder Depth	33"	838 mm.
Cylinder Volume	15.84 cu. ft.	448 liters
Lint Screen Area	544 sq. in.	3510 sq. cm.
Gas Input (per dryer- 60 hz)	108,000 Btu/hr	114MJ/hr (31.7 kW)
Gas Input (per dryer- 50 hz)	96,500 Btu/hr	102MJ/hr (28.3 kW)
Gas Supply Connection	1/2"	12.7 mm.
Natural Gas Supply (Water Column)	5" - 8"	127 mm. - 203 mm./1.25kPa – 1.99kPa
Natural Burner Manifold		
(60 hz Water Column)	3.5"	88.9 mm./0.87kPa
(50 hz Water Column)	3.5"	88.9 mm./0.87kPa
Propane or ULPG Supply (Water Column)	11.5" – 13.5"	292 mm. - 343 mm./2.86kPa - 3.36kPa
Burner Manifold Pressure		
Propane (60 hz Water Column)	11"	279 mm./2.75kPa
Propane or ULPG (50 hz Water Column)	10"	254 mm./2.40kPa
Exhaust Size	8"	203 mm.
Make-up Air	1.5 sq. ft.	1394 sq. cm.
Example: 1.5 sq. ft = 1 ft. long X 1.5 ft. wide		
Motor Sizes	1/2 & 2 H.P.	.373 & 1.492 kW
Airflow (60 Hz)	650 CFM	18.4 m ³ /min
Airflow (50 hz)	510 CFM	14.4 m ³ /min

Electrical Specifications - 208-240/60/1

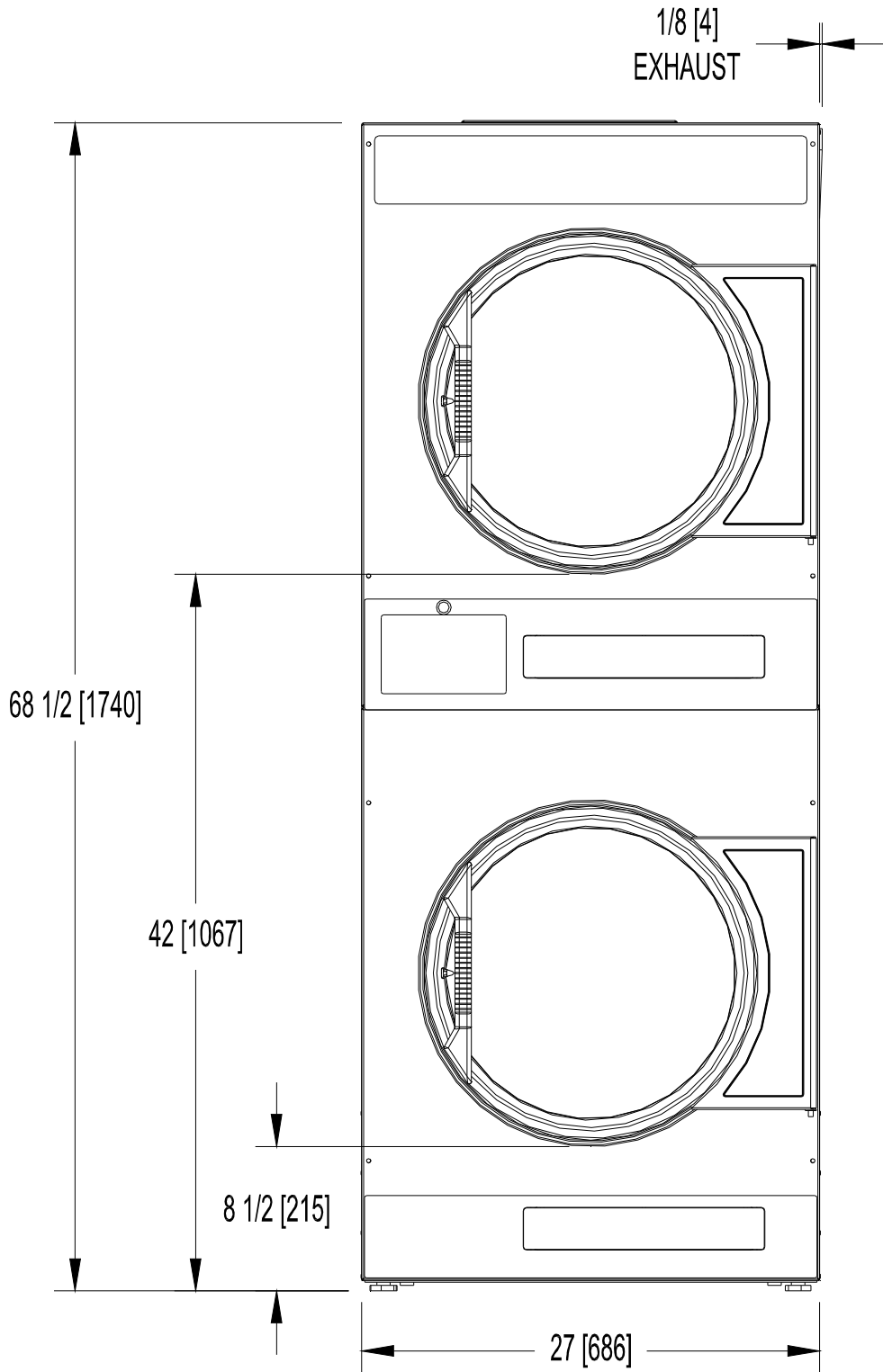
Voltage/Hz/Phase	208-240V/60Hz/1Phase
Running Amps	15.0
Circuit Protection Amps	20
Wire Size	12 gauge
Electrical Service	3 wire + ground

Electrical Specifications - 230/50/1

Voltage/Hz/Phase	230V/50Hz/1Phase
Running Amps	15.0
Circuit Protection Amps	20
Wire Size	12 gauge
Electrical Service	2 wire + ground

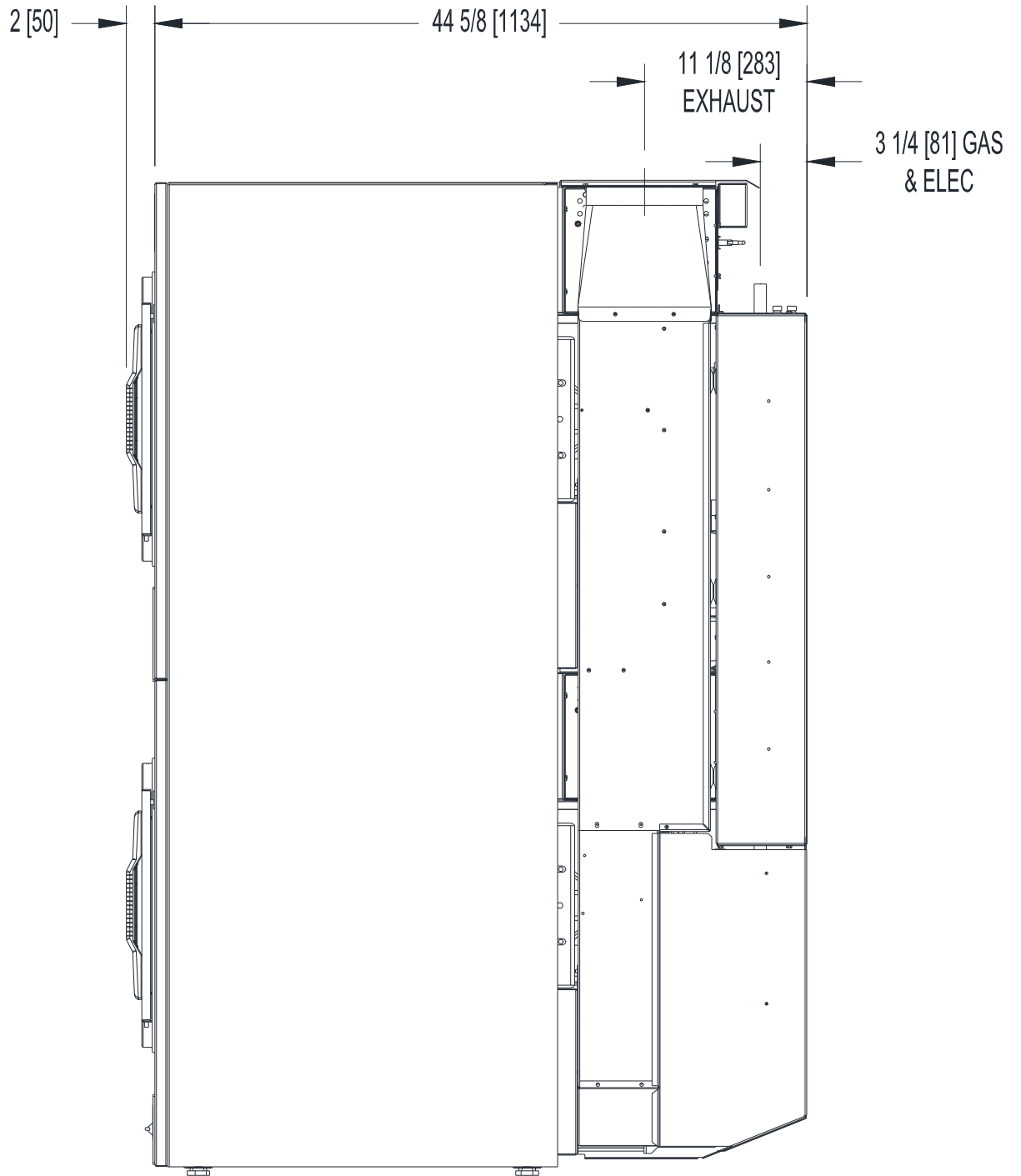
Shipping Weight	917 lbs.	416 kg.
Net Weight	857 lbs.	389 kg.
Clearance Behind Machines (min.)	18"	457 mm.

T-20X2 DRYER DIMENSIONS - FRONT VIEW



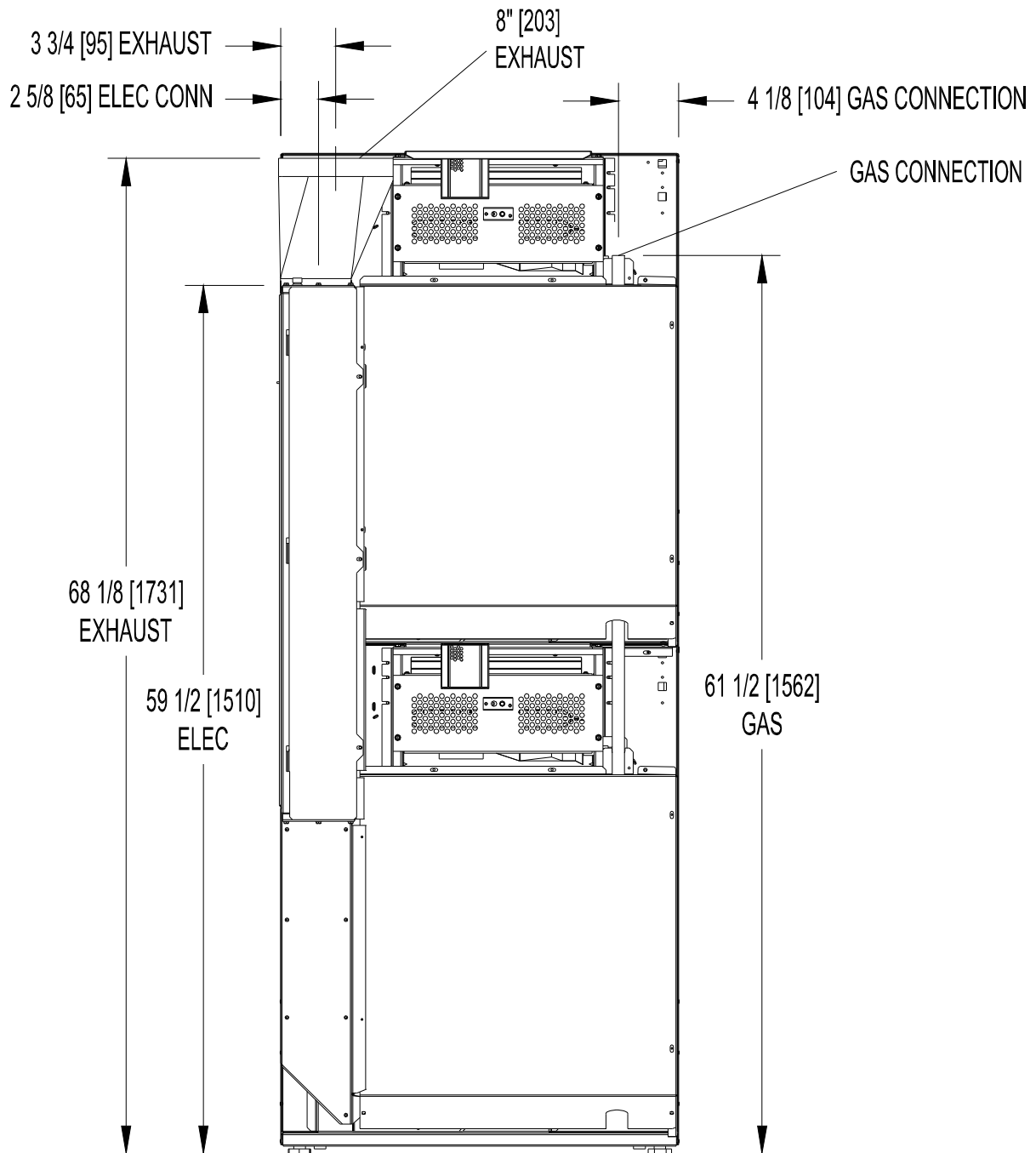
DIMENSIONS ARE IN INCHES [MILLIMETERS]

T-20X2 DRYER DIMENSIONS - SIDE VIEW



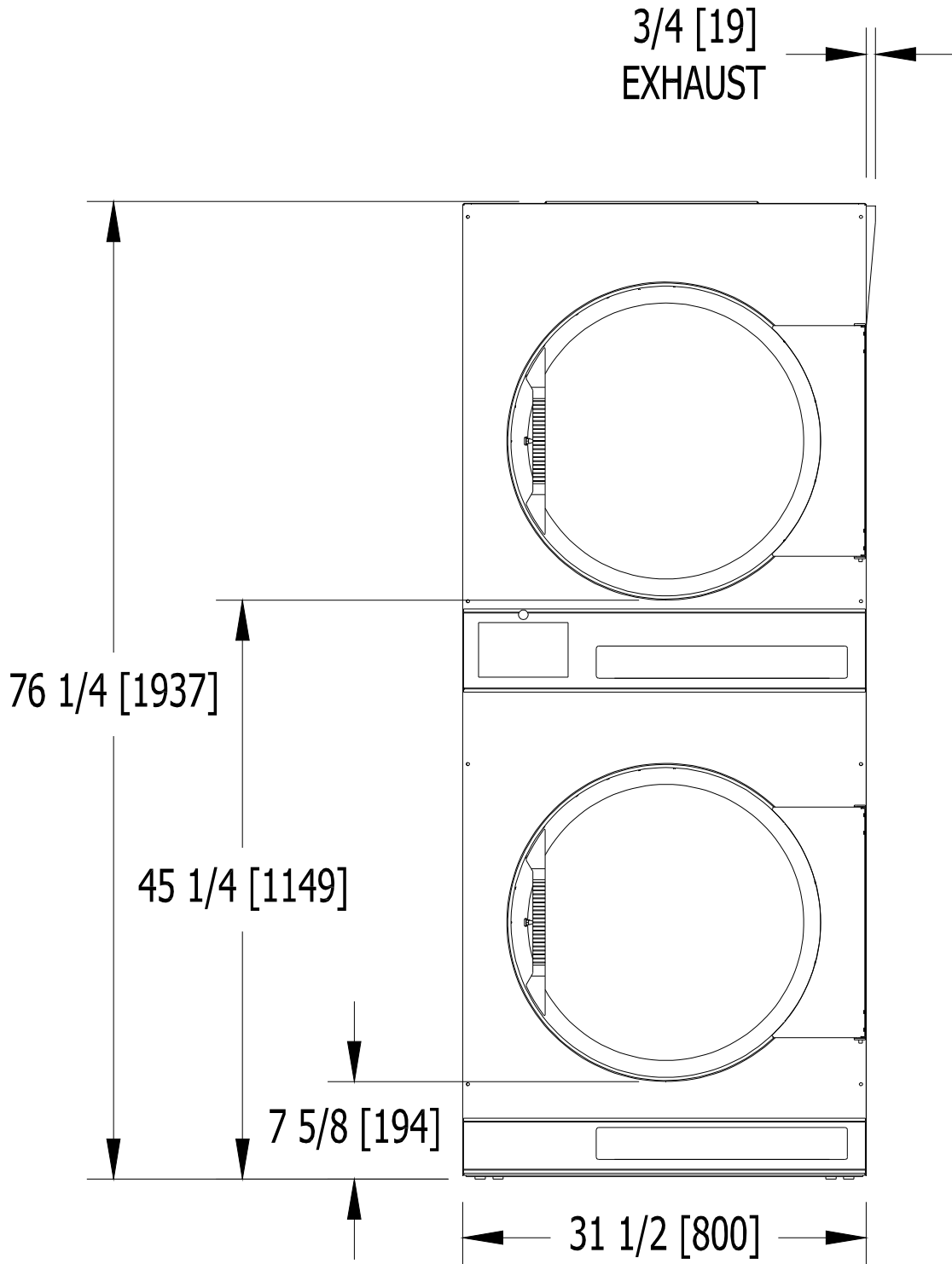
DIMENSIONS ARE IN INCHES [MILLIMETERS]

T-20X2 DRYER DIMENSIONS - REAR VIEW



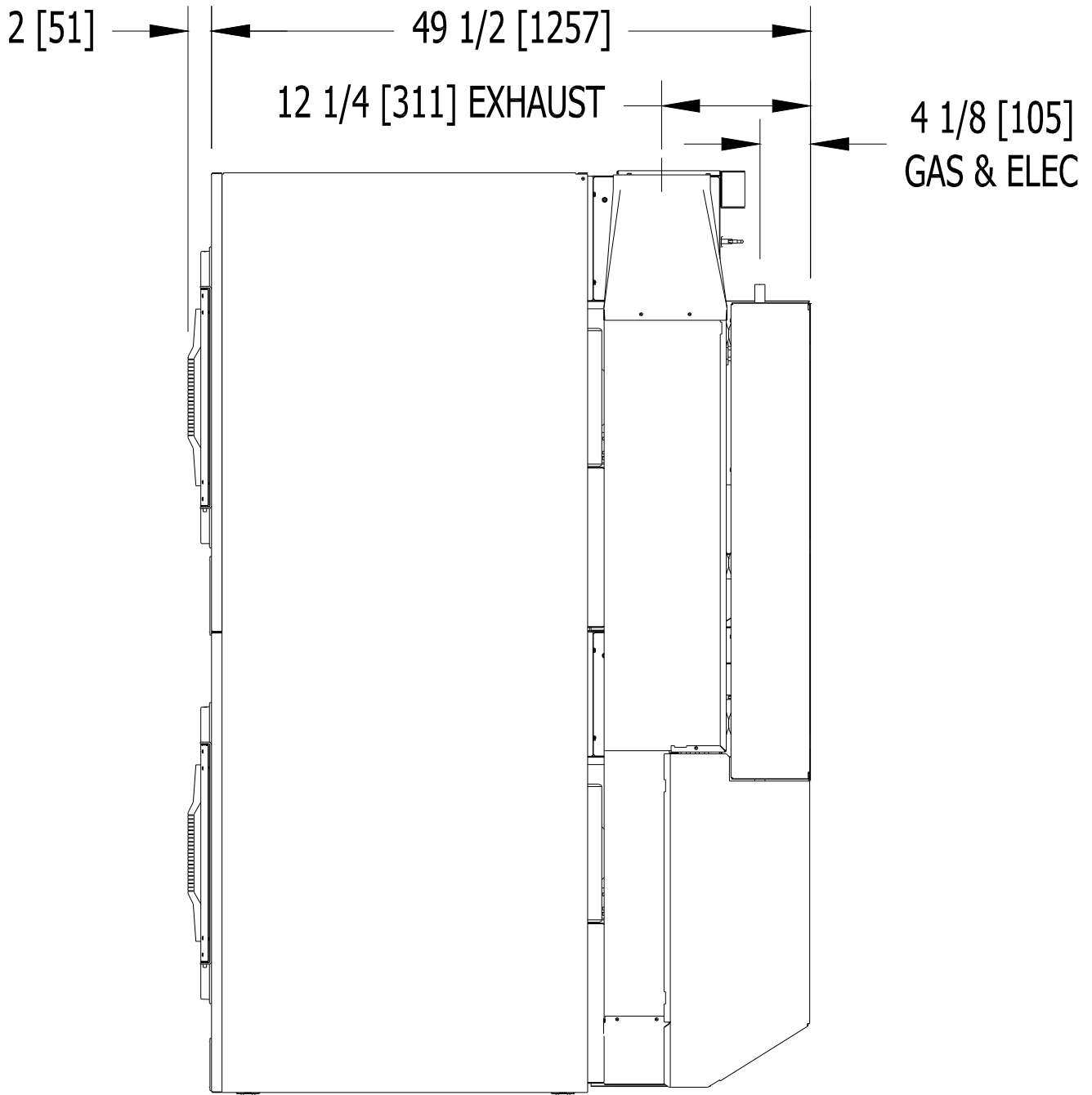
DIMENSIONS ARE IN INCHES [MILLIMETERS]

T-30X2 DRYER DIMENSIONS- FRONT VIEW



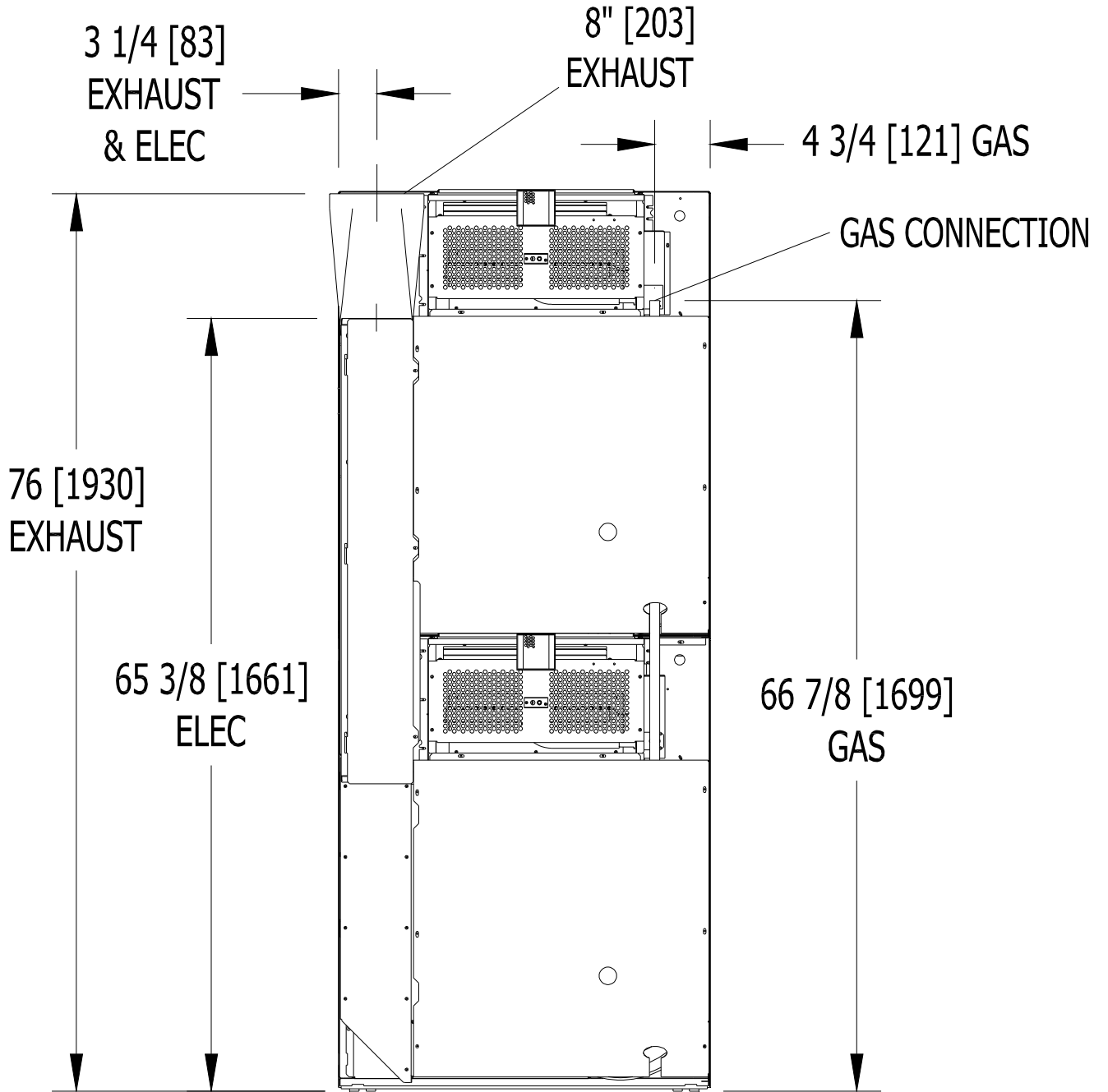
DIMENSIONS ARE IN INCHES [MILLIMETERS]

T-30X2 DRYER DIMENSIONS - SIDE VIEW



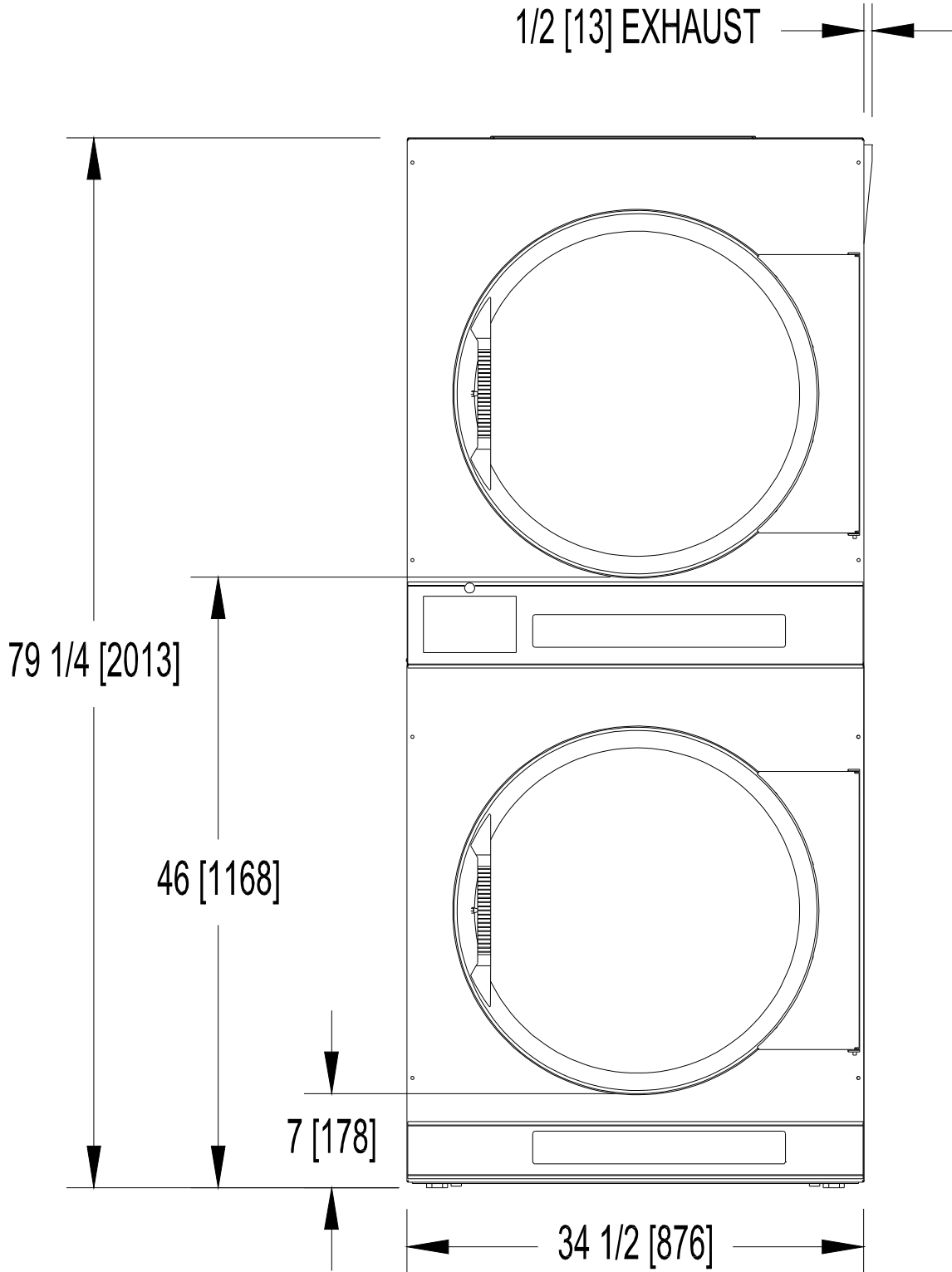
DIMENSIONS ARE IN INCHES [MILLIMETERS]

T-30X2 DRYER DIMENSIONS - REAR VIEW



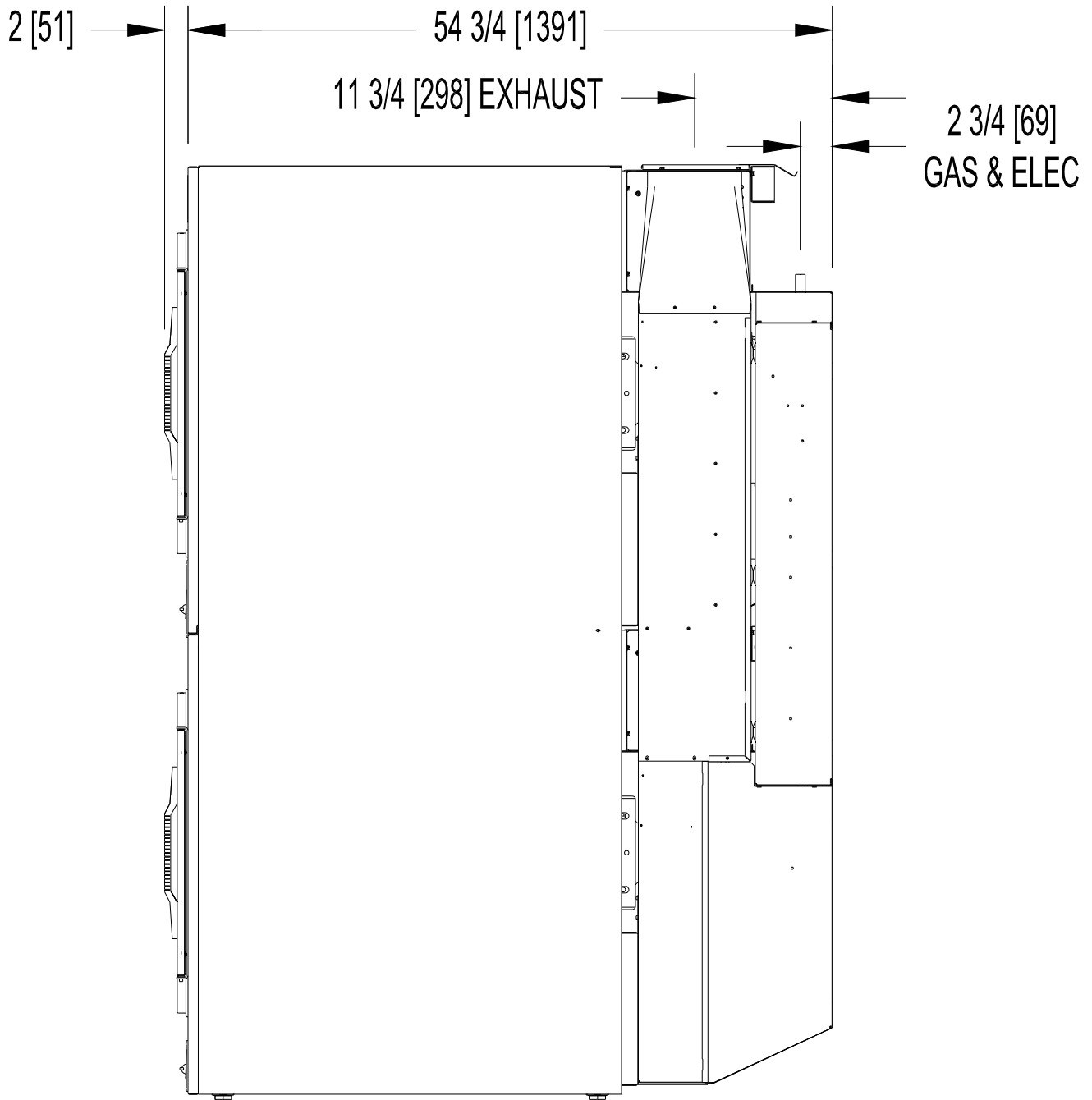
DIMENSIONS ARE IN INCHES [MILLIMETERS]

T-50X2 DRYER DIMENSIONS- FRONT VIEW



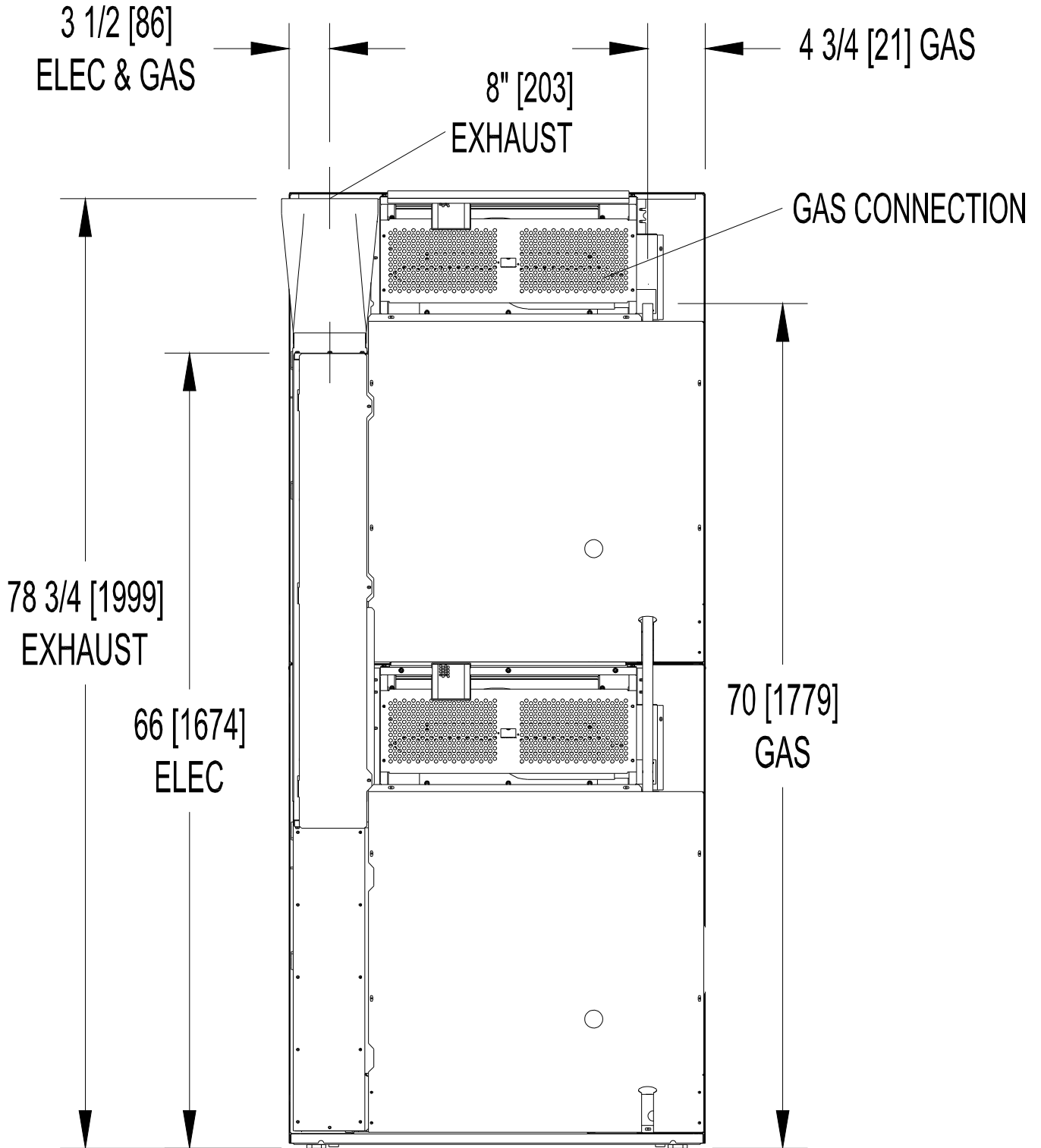
DIMENSIONS ARE IN INCHES [MILLIMETERS]

T-50X2 DRYER DIMENSIONS - SIDE VIEW



DIMENSIONS ARE IN INCHES [MILLIMETERS]

T-50X2 DRYER DIMENSIONS - REAR VIEW



DIMENSIONS ARE IN INCHES [MILLIMETERS]

INSTALLATION INSTRUCTIONS

UNCRATING AND PLACING DRYER

Tools Required: 3/4" (19 mm) hex socket & ratchet driver, wood block 4" (100 mm) or 5" (125 mm) thick, a knife and a groove joint pliers, which will open to 1 3/8" (35 mm).

1. Remove and discard packaging.
2. The crate base is attached to the dryer by (4) cap screws driven upward from below the crate base. Remove crate base from dryer, by tipping dryer sidewise and place block under crate base rail in center of dryer. Using a ratchet and 3/4" hex socket, remove and discard (2) crating bolts from side, which is raised. Remove block from under crate base. Repeat for other side. Save the bolts for use if the dryer is ever moved again.
3. With a walking motion move dryer completely off crate base. Save the crate base for use if the dryer is ever moved again.
4. Slide unit into position where it will be installed. Adjust leveling legs, using the groove joint pliers, to level and align dryer with adjacent units.

Note: If the dryer is ever moved again, the dryer should be re-mounted on its crate base and its crating bolts re-inserted and tightened, in the reverse order as above.

DRYER INSTALLATION

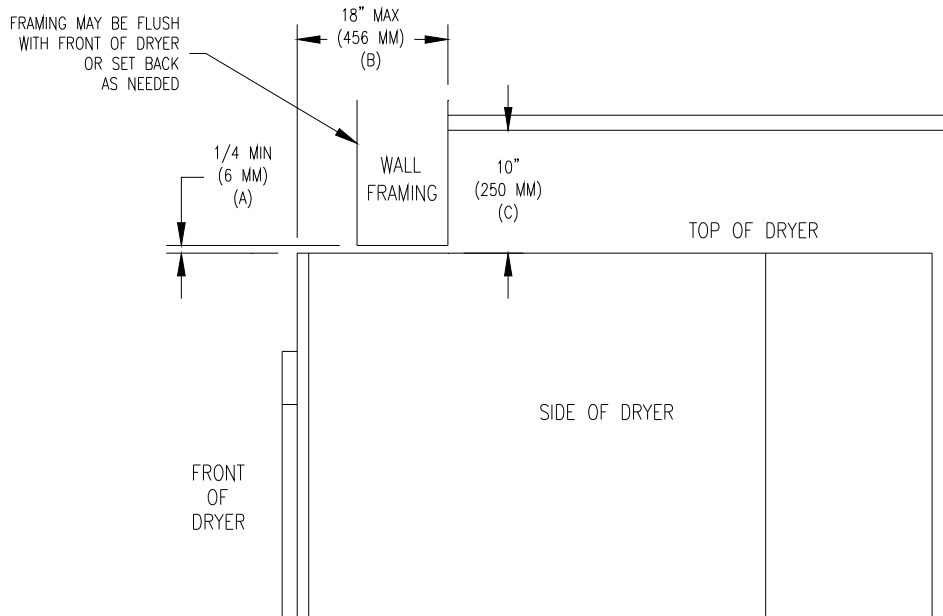
1. **CODE CONFORMITY:** All commercial dryer installations must conform with local codes, or in the absence of local codes, with the latest edition of the National Fuel Gas Code ANSI Z223.1. Canadian installations must comply with the current Standard CAN/CGA-B149 (.1 or .2) Installation Code for Gas Burning Appliances or Equipment, and local codes if applicable. Australian installations must meet installation requirements and pipe sizing requirements of AS/NZA 5601. The appliance, when installed, must be electrically grounded in accordance with the latest edition of the National Electric Code, ANSI/NFPA70, or, when installed in Canada, with Standard CSA C22.1 Canadian Electrical Code Part 1.
2. **INSTALLATION CLEARANCES:** This unit may be installed at the following alcove clearances:
 - I. Left Side 0"
 - II. Right Side 0"
 - III. Back 18" (457 mm) (Certified for 1" (25 mm) clearance; however, 18" (457 mm) clearance is necessary behind the motors to allow servicing and maintenance.)
 - IV. Front 48" (1220 mm) (to allow use of dryer)
 - V. Top Refer to figure labeled "Vertical Clearance Dimensions".
 - AB. Certification allows 0" clearance for wall framing at the top up to 18" (456 mm) back from the front.
However, a 1/4" (6 mm) clearance should be allowed in case the dryer needs moving.
 - C. A 10" (250 mm) clearance is required from top at all other points.
 - VI. Floor This unit may be installed upon a combustible floor.

Do not obstruct the flow of combustion and ventilation air.

Maintain minimum of 1" (25 mm) clearance between duct and combustible material.

Refer to the label attached to the Belt Guard on the rear of the dryer for other installation information and start-up instructions.

3. **MAKE-UP AIR:** Adequate make-up air must be supplied to replace air exhausted by dryers on all types of installations. Refer to specifications for the minimum amount of make-up air opening to outside for each dryer. This is a net requirement of effective area. Screens, grills or louvers, which will restrict the flow of air, must be considered. Consult the supplier to determine the free area equivalent for the grill being used. The source of make-up air should be located sufficiently away from the dryers to allow an even airflow to the air intakes of all dryers. Multiple openings should be provided.



Vertical Clearance Dimensions

The sources of all make-up air and room ventilation air movement to all dryers must be located away from any dry cleaners. This is necessary so that solvent vapors will not be drawn into the dryer inlet ducts. Dry cleaner solvent vapors will decompose in contact with open flame such as the gas flame present in clothes dryers. The decomposition products are highly corrosive and will cause damage to the dryer(s) ducts and clothes loads.

4. **ELECTRICAL REQUIREMENTS.** The electrical power requirements necessary to operate the unit satisfactorily are listed on the serial plate located on the back panel of each dryer and in the specifications section of this manual. The electrical connection should be made to the terminal board, on the rear of the unit. It is absolutely necessary that the dryer be grounded to a known ground. Individual circuit breakers for each stacked dryer are required. Dryer -15 models are adjusted for 120V as shipped. They can be converted to 208-240V as required. Instructions for this conversion are located at this end of this manual.

IMPORTANT: TRANSIENT VOLTAGE SURGE SUPPRESSORS

Like most electrical equipment, your new machine can be damaged or have its life shortened by voltage surges due to lightning strikes which are not covered by factory warranty. Local power distribution problems also can be detrimental to the life of electrical components. We recommend the installation of transient voltage surge suppressors for your new equipment. These devices may be placed at the power supply panel for the complete installation and don't require an individual device for each machine.

These surge protectors help to protect equipment from large spikes and also from small ongoing spikes in the power that occur on a day to day basis. These smaller surges can shorten overall life of electrical components of all types and cause their failure at a later date. Although they can't protect against all events, these protective devices have a good reputation for significantly lengthening the useful life of electronic components. Electronic components are helped to have a longer useful life when they are supplied with the clean stable electrical power they like.

We are including the following names and phone numbers of a few suppliers of these devices for those who don't currently have a source.

<u>MANUFACTURER</u>	<u>CONTACT</u>	<u>PHONE</u>
Innovative Technology, Inc	Factory	1-800-647-8877 or www.itvss.com
EFI Electronics Corporation	Factory Distributor – Surge Pro	1-800-877-1174 or www.efinet.com 1-877-233-0153
MCG Surge Protection	Factory	1-800-851-1508 or www.mcgsurge.com
Advanced Protection Technologies Inc.	Factory	1-800-237-4567 or info@apttvss.com

5. **GAS REQUIREMENTS.** The complete gas requirements necessary to operate the dryer satisfactorily are listed on the serial plate located on the back panel of the dryer and in the specifications section of this manual. The inlet gas connection to the unit is 1/2-inch [12.7] pipe thread. However, the size of the piping to supply the dryer should be determined by reference to the National Fuel Gas Code ANSI Z223.1A and consultation with the local gas supplier.

An individual gas shutoff valve is recommended for each dryer and may be required by local code (not supplied).

A joint compound resistant to the action of liquefied petroleum gases should be employed in making pipe connections.

All pipe connections should be checked for leakage with soap solution. Never check with an open flame.

A drip tee should be provided in the gas piping entering the unit to catch dirt and other foreign articles.

A 1/8 inch [3.2] NPT threaded test port, accessible for test gage connection, must be installed immediately upstream of the gas supply connection to the dryer to check the supply pressure. Test and adjust the supply pressure to ensure compliance with the specification listed on the serial plate.

The recommended natural gas supply pressure is 7 inches water column (17.8 cm) at each dryer.

There is a plugged 1/8 inch [3.2] NPT threaded test port in the end of the burner manifold for checking the manifold pressure. With the burner in operation, check and adjust the dryer's gas control valve to ensure compliance with the specification listed on the serial plate for manifold pressure.

After testing, be sure to replace the 1/8 inch [3.2] NPT plugs in the manifold and in the supply line test port using joint compound before operating the dryer.

For altitudes above 2,000 feet (610m), it is necessary to derate the BTU input. Contact your local distributor for instructions.

L.P. gas conversion kits are available for this dryer. Contact your local distributor.

CAUTION: The dryer must be disconnected from the gas supply piping system during any pressure testing of that system. Do not expose the dryer's gas control valve to testing pressure.

6. **EXHAUST INSTALLATION.** (Refer to Figure 3) Exhausting of the dryer(s) should be planned and constructed so that no air restrictions occur. Any restriction due to pipe size or type of installation can cause slow drying time, excessive heat, and lint in the room.

From an operational standpoint, incorrect or inadequate exhausting can cause a cycling of the high limit thermostat, which shuts off the main burners and results in inefficient drying.

The exhaust duct connection near the top of the dryer will accept an 8" (200 mm) round duct. Individual exhausting of the dryers is recommended. All heat, moisture, and lint should be exhausted outside by

attaching a pipe of the proper diameter to the dryer adapter collars and extending it out through an outside wall. This pipe must be very smooth on the inside, as rough surfaces tend to collect lint, which will eventually clog the duct and prevent the dryer from exhausting properly. All elbows must be smooth on the inside. All joints must be made so the exhaust end of one pipe is inside the next one downstream. The addition of an exhaust pipe tends to reduce the amount of air the blower can exhaust. This does not affect the dryer operation if held within practical limits. For the most efficient operation, it is recommended that no more than 14 ft. (4.25 m) of straight 8 in. diameter pipe with two right angle elbows be used for each cylinder.

Maintain a minimum of 1" (25mm) clearance between duct and combustible material.

If the exhaust pipe passes through a wall, a metal sleeve of slightly larger diameter should be set in the wall and the exhaust pipe passed through this sleeve. This practice is required by some local codes and is recommended in all cases to protect the wall.

This type of installation should have a means provided to prevent rain and high winds from entering the exhaust when the dryer is not in use. A hood with a hinged damper can be used for this purpose. Another method would be to point the outlet end of the pipe downward to prevent entrance of wind and rain. In either case, the outlet should be kept clear, by at least 24 in. (610 mm) of any objects, which would cause air restriction.

Never install a protective screen over the exhaust outlet.

When exhausting a dryer straight up through a roof, the overall length of the duct has the same limits as exhausting through a wall. A rain cap must be placed on top of the exhaust and must be of such a type as to be free from clogging. The type using a cone shaped "roof" over the pipe is suitable for this application.

Exhausting the dryer into a chimney or under a building is not permitted. In either case there is a danger of lint buildup, which can be highly combustible.

Installation of several dryers, where a main discharge duct is necessary, will need the following considerations for installation (see Figure 3). Individual 8" (200 mm) exhaust ducts from each dryer should enter main discharge duct at a 45-degree angle in the direction of discharge airflow.

NOTE: Never install the individual ducts at a right angle into the main discharge duct. The individual ducts from the dryers can enter at the sides or bottom of the main discharge duct. Figure 3 indicates the various round main duct diameters to use with the individual dryer ducts. The main duct can be rectangular or round, provided adequate airflow is maintained. The total exhausting (main discharge duct plus duct outlet from the dryer) should not exceed the equivalent of 14 ft. (4.25 m) and two elbows. The diameter of the main discharge duct at the last dryer must be maintained to exhaust end.

NOTE: A small diameter duct will restrict airflow; a large diameter duct will reduce air velocity - both contributing to lint build up. An inspection door should be provided for periodic clean out of the main duct.

NOTE: STATIC BACK PRESSURE should be a maximum of 0.3 in. w.c. (7.6 mm w.c.) at the rear exhaust outlet of the dryer. If multiple dryers are connected to the common duct, ensure the back draft damper is installed properly.

DIAMETER TO INCREASE AS SHOWN

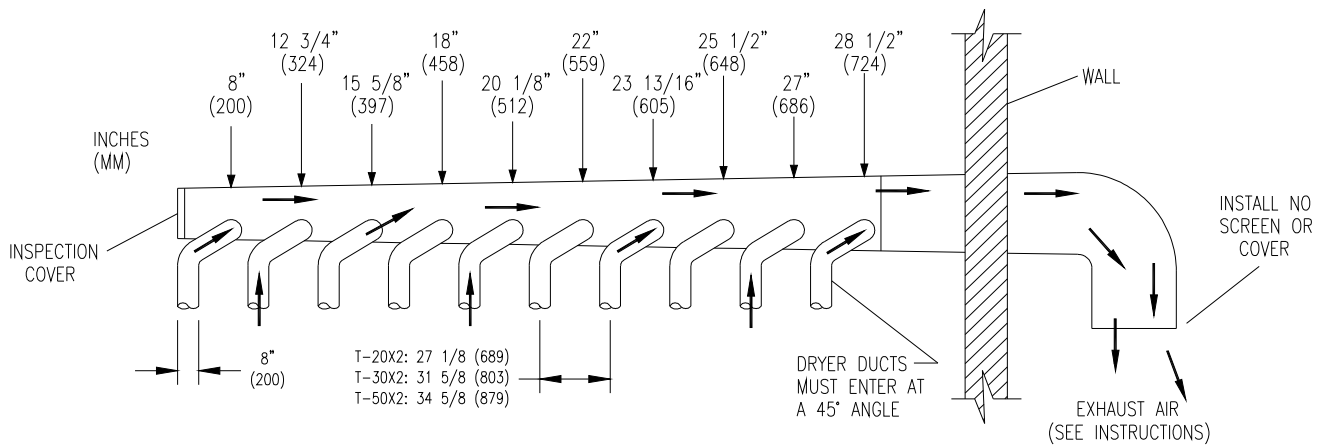


FIGURE 3- Dryer Exhausting Using A Main Discharge Duct

7. **DRYER IGNITION (SOLID STATE IGNITION):** The solid-state ignition system lights the main burner gas by spark. The gas is ignited and burns only when the gas-relay (in the electronic controller) calls for heat. The procedure for first-time starting of a dryer is as follows.
 - i. First review and comply with the "Warnings About Use and Operation" found on the inside front cover of this manual. Be sure electrical power is connected correctly. The dryer must be properly grounded.
 - ii. Make sure all gas supply lines are purged of air. Close the main gas shut-off valve and wait for five minutes before turning it back on.
 - iii. Turn on the main electrical power switch. The dryer may be started by following the "Operating Instructions" found later in this manual.
 - iv. Natural gas and LPG fired dryers operate in the same manner. When the gas valve relay contacts are closed (indicating a demand for heat), the solid-state ignition control will automatically supply energy to the redundant gas valve. Sparking will continue until a flame is detected by the sensing probe, but not longer than ten seconds. If the gas fails to ignite in 10 seconds, the gas valve closes and the gas system pauses to allow gas to purge from the inside of the dryer. After the pause, the ignition control repeats the ignition trial cycle twice more. If the gas system fails to detect ignition after the three attempts, the system will "lock out". No further attempts will be performed automatically. To reset the ignition control electrical power to the ignition control must be interrupted. This can be done by opening the dryer door (stopping the dryer) for 15 seconds. Closing the door and pushing the "Start" button will repeat the ignition trial cycle.
8. **MAIN BURNER ADJUSTMENT.** The primary air shutter of each main burner must be properly adjusted for the correct air-gas ratio. Loosen the shutter locking screw. Adjust the shutter by closing it sufficiently to give a blue flame with a yellow tip. Next open the shutter until the yellow tips are at a minimum. After adjustment securely lock each shutter in position by tightening the shutter locking screws.

DRYER SHUTDOWN

To render the dryer inoperative, turn off the main gas shut off valve and disconnect the electrical supply to the dryer.

NOTE: The installer must test the dryer for operation and instruct the user before leaving the installation.

DESCRIPTION OF DRYER CONTROL

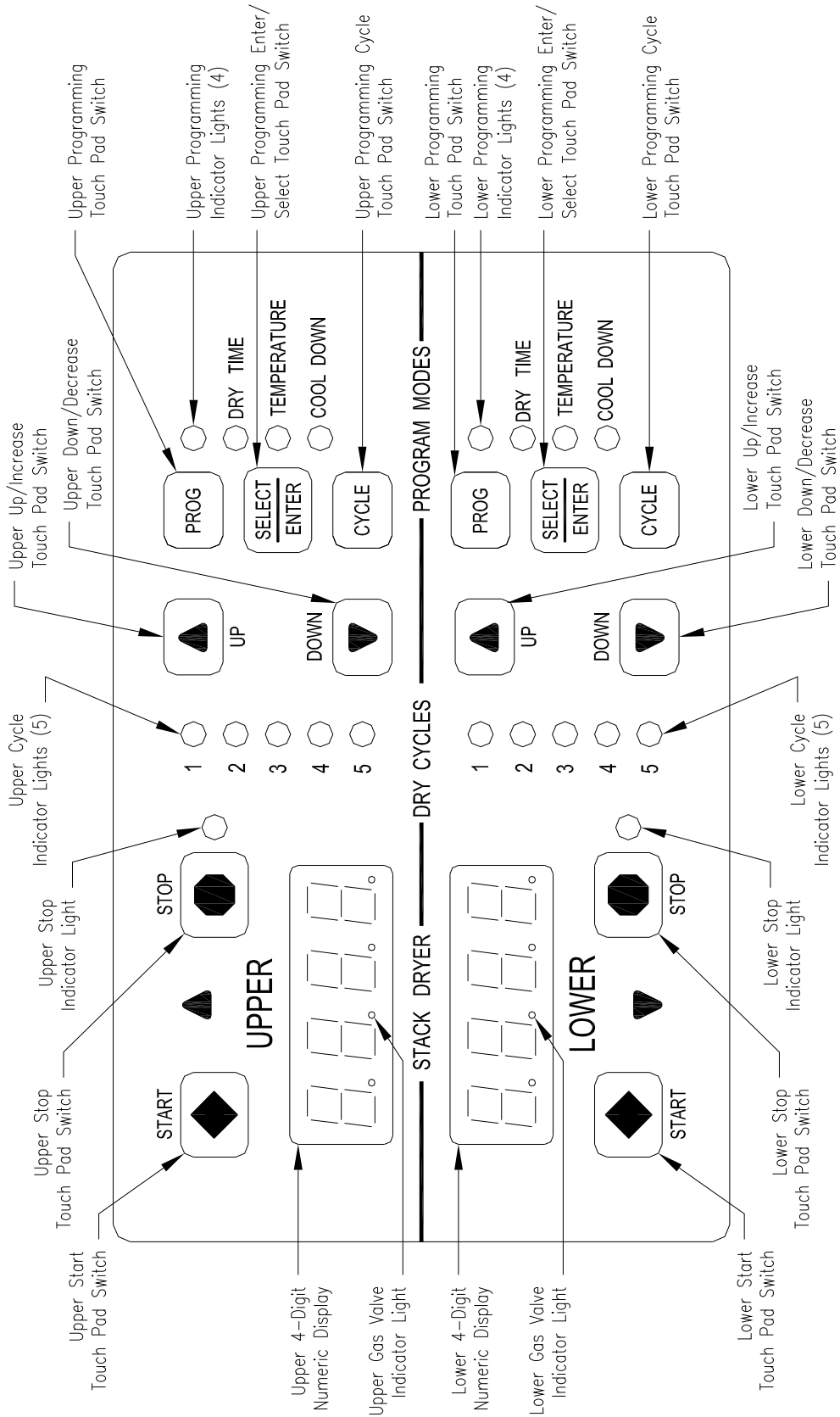


Figure 4: Non-Reversing Dryer Controller Interface

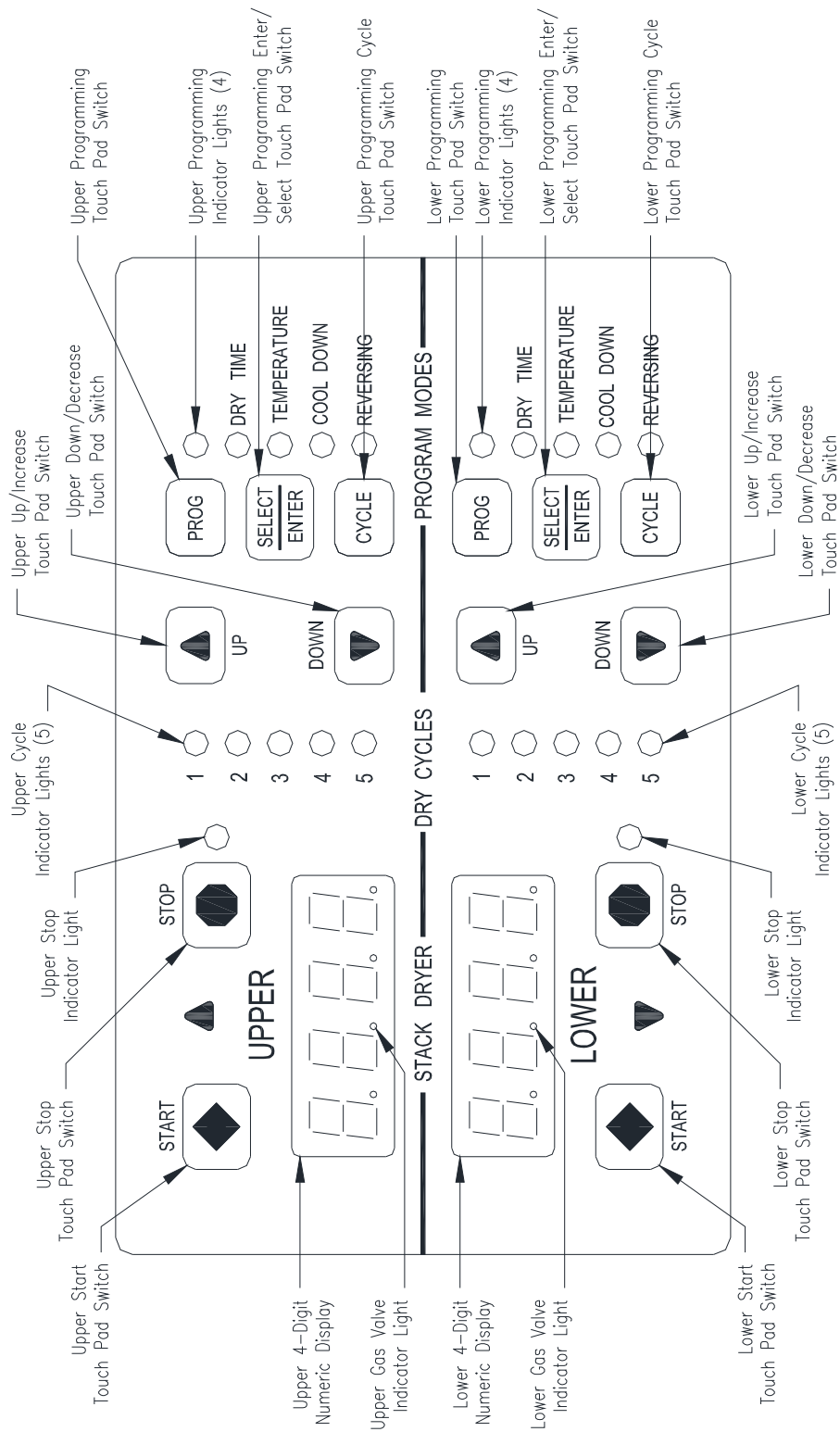


FIGURE 4: REVERSING DRYER CONTROL

DRYER CONTROLLER FACTORY DEFAULT PROGRAM SETTINGS

DRY CYCLE	COOL DOWN TIME (MINUTES)	TOTAL CYCLE TIME (MINUTES)	DRYING TEMPERATURE		DRYER LOAD
			(°F)	(°C)	
1	5	35	180	82	Towels, pads, heavy cotton
2	2	20	170	77	Sheets, blended materials
3	5	25	180	82	Cotton
4	2	20	130	54	Synthetic materials
5	2	25	175	79	Blended materials

DRYER FAULT CODES

FAULT #	FAULT DESCRIPTION	ACTION
F1	Shorted thermostat sensor.	Dryer stops and "F1" flashes on the 4-digit display. When short circuit on sensor input is removed, "LOAD" appears on the 4-digit display and the remaining dry time is reset.
F2	Open thermostat sensor.	Dryer stops and "F2" flashes on the 4-digit display. When a good sensor is connected to sensor input, "LOAD" appears on the 4-digit display and the remaining dry time is reset.
F3	EEPROM corrupted.	Dryer will not start and "F3" appears on the 4-digit display. The power to the dryer must be cycled to reset the controller. Fault should only occur when starting a dry cycle.
F4	Gas valve on fault.	The drying temperature did not increase 1°F. in 15 minutes. "F4" will flash on the display and the dry cycle will finish without calling for heat (energizing gas valve). Opening the door or pressing the STOP key will reset the fault and clear the remaining time in the dry cycle.
F5	Temperature fault.	The drying temperature is at least 25°F. above the temperature setting. "F5" will flash on the 4-digit display and the dry cycle will finish without calling for heat (energizing the gas valve). The power to the dryer must be cycled to reset the controller.

TOUCH PAD DESCRIPTION

INDICATOR LIGHTS (L.E.D.s)

Description

Cycle (1 through 5)	These L.E.D.s are on solid when a particular cycle is chosen for operation or programming.
Gas Valve	This L.E.D. is part of the 4-digit numeric display and will be on solid during the drying part of a cycle when the gas valve does <u>not</u> need to be on. The L.E.D. will be blinking when the gas valve needs to be on. The L.E.D. will <u>not</u> be on solid or blinking (off) if the cycle is stopped, complete, in cool down, or terminated.
Programming	These L.E.D.s are on solid as they are selected during the programming of the dryer controller.
Stop	This L.E.D. is on solid when either the STOP button is pressed once or the door is opened during an operating cycle.

SWITCHES (Pushbuttons)

Description



UP

Up/Increase

This touch pad switch will increment (increase) dry time, cool down time, and drying temperature. It will also scroll upwards when selecting a dry cycle.



DOWN

Down/Decrease

This touch pad switch will decrement (decrease) dry time, cool down time and drying temperature. It will also scroll downwards when selecting a dry cycle.

PROG

Program

This touch pad switch allows the dryer controller to enter the permanent programming mode.

SELECT
ENTER

Select/Enter

This touch pad switch will select one of the three variable parts of the dry cycle (dry time, temperature, or cool down) by sequencing through them. Once one of the variable parts of the dry cycle is chosen and changed, this touch pad switch will enter the new (changed) value into the dry cycle program.

SWITCHES (Pushbuttons) - continued

Description



Cycle

This touch pad switch allows the dryer controller to enter the temporary programming mode.



STOP

Stop

This touch pad switch will stop the dryer during a dry cycle without clearing the present drying cycle if pressed once. If pressed and released twice, consecutively, the present dry cycle will be cleared.



START

Start

This touch pad switch will start the operation of a dry cycle if pressed and released once. Pressing and holding this touch pad switch will display the current temperature of the dryer heat sensor as long as it is held in the depressed position.

4-DIGIT NUMERICAL DISPLAY MESSAGES

<u>Message</u>	<u>Description</u>
LOAd	This message is displayed after a dry cycle is complete and the dryer loading door has been opened or the STOP touch pad key on the dryer controller has been pressed and released twice.
donE	This message blinks immediately after completion of the dry cycle and continues to blink until the stop key on the dryer controller touch pad is pressed or the dryer loading door is opened.
Prog	This message is displayed when entering the permanent programming mode.
.15	This message appears while the dryer is in the heating time of a dry cycle. The decimal point will blink if the output for the gas valve is on, or remain on constantly if the output for the gas valve is not on. The number represents the total time left in the dry cycle (includes cool down time).
C02	This message appears when the cool down time of the dry cycle is reached. The letter "C" represents the cool down (non-heating) part of the dry cycle. The number(s) after the letter "C" represent(s) the total time remaining in the dry cycle.
F5	This message appears if there is a dryer fault. The letter "F" indicates a fault and the number after the "F" represents the specific fault that has occurred. There are five different faults that can appear (F1 through F5).

OPERATING INSTRUCTIONS

To dry a load of items, you must choose one of the five-programmed dry cycles. Each of these five dry cycles may be modified in two different ways to match your load. Please refer to the "Permanent Dryer Controller Programming" or "Temporary Dryer Controller Programming" section of this manual.

There are two parts to each dry cycle. The first part is the heating time, which is when the gas valve is cycled on and off according to the temperature setting in the dry cycle program. The second part is the cool down time, which is after the heating part of the dry cycle, and is when the cylinder continues to turn, but no heat is applied.

There will always be at least two minutes of cool down time for each dry cycle. The maximum amount of cool down time is 60 minutes.

During a reversing dry cycle, the tumbler will rotate in one direction for one minute, decelerate for four seconds, and then rotate in the opposite direction for one minute. This motion will repeat for the duration of the dry cycle. To change the reversing time, the 4-digit numerical display must show "LOAd". Then, press and hold the **SELECT/ENTER** touch pad switch and then press the **UP** touch pad switch to set the time to two minutes or the **DOWN** touch pad switch to set the time to one minute. The buzzer will then beep to indicate the change was successful. The change will be retained even if the power is removed. The factory default is one minute.

The default value of the five dry cycles is shown in the "DRYER CONTROLLER FACTORY DEFAULT PROGRAM SETTINGS" table in this manual.

To improve the drying capabilities of this dryer, you should always separate (untangle) the individual articles in your load before using the dryer.

In the following instruction steps, things that are displayed on the 4-digit numerical display will be in "quotation marks" and any keys on the dryer controller touch pad that physically need to be pressed will be in **CAPITAL AND BOLD LETTERS**.

- 1) Place your untangled load into the dryer cylinder and close the dryer loading door. Notice that the dryer controller 4-digit numerical display should show the word "LOAd". If it does not show this word, then press and release the **STOP** touch pad key on the dryer controller twice.
- 2) Press and release the **UP** or **DOWN** arrow touch pad key on the dryer controller to select a dry cycle.
- 3) Once the desired dry cycle is selected, press and release the **START** touch pad key.

After the dryer controller **START** touch pad key is pressed, the dryer cylinder will start rotating and the two-digit total dry cycle time, along with a decimal point, will appear on the dryer controller display.

The time shown on the dryer controller display will count down to the programmed cool down time. At that time, the display will change from the decimal point and two-digit number to a letter "C" and two digits.

The letter "C" represents the cool down portion of the dry cycle. The two digits represent the amount of time remaining in the dry cycle. The two-digit time, shown on the dryer controller display, will count down to zero.

When the time decrements to zero, the dryer controller display will flash the word "donE" and the end of cycle tone will sound.

At that point, the wrinkle free cycle will automatically begin. This cycle will wait two minutes, if the door is not opened or the **STOP** touch pad key on the dryer controller is not pressed, and then rotate the cylinder for 10 seconds and stop. This idle time of two minutes and tumble time of 10 seconds will repeat a total of 10 times, at which time the wrinkle free cycle stops. The cylinder will not rotate again until a new dry cycle is started.

During the wrinkle free cycle the gas valve will not be operated and there will be no heat applied to the load. The word "donE" will also continue to flash and do so even after the wrinkle free cycle is finished. When the dryer loading door is opened, or the **STOP** touch pad key is pressed, the word "donE" will change to the word "LOAd" on the dryer controller display. The dryer will then be ready for another dry cycle.

During the dry cycle, either pressing the STOP touch pad key on the dryer controller or opening the dryer loading door, will stop the dry cycle and not clear it. If you press the STOP touch pad key on the controller and then open the dryer loading door the dry cycle will not be cleared. However, if you open (or open and close) the dryer loading door and then press the STOP touch pad key on the dryer controller, the present dry cycle will be cleared and the word "LOAD" will appear on the dryer controller display.

There are two jumpers and one push button on the component side of the dryer controller printed circuit board.

The jumper located at the back right side of the each circuit board controls whether the controller display shows and operates in the Fahrenheit or Celsius mode. This jumper is labeled as TEMP SELECT and has three pins. The back and middle pins are for Celsius and the front and middle pins are for Fahrenheit, which is indicated by the letter C for Celsius and the letter F for Fahrenheit.

Non-reversing:

The other jumper, located at the back middle side of each circuit board controls, is used for choosing either a reversing or non-reversing type of dryer. This jumper is labeled as REV and NON-REV. This jumper must be in the non-reversing position, which are the front and middle pins. If the jumper is in the reversing position, the heating part of the dry cycle will not operate properly. The dryer will not reverse direction either.

Reversing:

The other jumper, located at the back middle side of each circuit board controls, is used for choosing either a reversing or non-reversing type of dryer. This jumper is labeled as REV and NON-REV. This jumper must be in the reversing position, which are the middle and rear pins.

The push button, which is located at the middle center of each circuit board controls, is used to reset all five of the dry cycles to the factory default settings. It is labeled as DEFAULT SETTINGS. Even the dry cycles that have been modified using the permanent programming procedure will be changed back to the factory default settings when using this push button. This push button must be pressed and held for at least three seconds with power applied to the dryer controller circuit board.

If changing a jumper, remove power before moving jumper and then move jumper. Before restoring power, press and hold the DEFAULT SETTINGS pushbutton. Then, restore power and release the DEFAULT SETTINGS pushbutton after three seconds of restoring power.

TEMPORARY NON-REVERSING DRYER CONTROLLER PROGRAMMING

The temporary programming mode will allow the change of the stored dry cycle settings in the dryer controller for one complete dry cycle. After the dry cycle is complete, the default settings that existed before the temporary change are restored. The temporary dry cycle can be stopped and cleared at any time during the dry cycle operation.

To temporarily change a dryer controller cycle, follow the procedures below. Things that are displayed on the 4-digit numeric display will be in "quotation marks". Keys on the dryer controller touch pad that physically need to be pressed will be in **CAPITAL AND BOLD LETTERS**.

If, at any time, you want to escape the temporary programming mode while changing the program settings, you can press the **STOP** key on the dryer controller touch pad if the 4-digit numeric display is not flashing. The **SELECT/ENTER** key on the dryer controller touch pad can be pressed and released to enter the flashing value shown on the 4-digit numeric display and allow you to escape.

If you press and release the **STOP** key on the dryer controller touch pad, when the 4-digit numeric display is not flashing, the temporary changes to the dry cycle program will be cancelled. The stored dry cycle settings that existed before the temporary change will then be restored.

If, at any time, you want to start the temporary dry cycle during the temporary programming mode, press and release the **START** key on the dryer controller touch pad if the 4-digit numeric display is not flashing. The **SELECT/ENTER** key on the dryer controller touch pad can be pressed and released to enter the flashing value shown on the 4-digit numeric display and allow you to start the temporary dry cycle. If you start the temporary dry cycle, the 4-digit numerical display will change to the total dry time and count down to 0 as the dry cycle progresses.

PROCEDURE

- 1) Make sure the dryer is not in a dry cycle. The 4-digit numeric display on the dryer controller will show "LOAD" when the dryer is not in a dry cycle.
- 2) Press and release the **UP** or **DOWN** arrow keys on the dryer controller touch pad to choose the dry cycle that you want to change (dry cycle 1 through 5). The dry cycle L.E.D. will illuminate to indicate which dry cycle you are choosing. If you press either arrow key and hold it down, the controller will sequence through the five dry cycles.
- 3) Press and release the **CYCLE** key on the dryer controller touch pad once you have chosen the dry cycle you want to change. After you press this key, the programming L.E.D. and the dry time L.E.D. will illuminate. The dry cycle L.E.D. will remain illuminated. The total dry time will also be displayed on the 4-digit numeric display.
- 4) Press and release the **UP** or **DOWN** arrow keys to change the total cycle time. Once either of the arrow keys is pressed, the dry time L.E.D. and the total dry time on the 4-digit numeric display will flash. If you press and hold either arrow key down, you will increment (**UP** arrow) or decrement (**DOWN** arrow) through the total dry times available (1 through 60 minutes). This displayed dry time includes the cool down time along with the heated time. To not change the total dry time, do not press the arrow keys to change the total dry time.
- 5) Press and release the **SELECT/ENTER** key. Once this key is pressed and released, the dry time L.E.D. will switch off, the dry cycle L.E.D. and programming L.E.D. will remain on, and the temperature L.E.D. will illuminate. The drying temperature will also be shown on the 4-digit numeric display.
- 6) Press and release the **UP** or **DOWN** arrow keys to change the drying temperature. Each press and release of the arrow keys will either increase or decrease the temperature by five degrees Fahrenheit or three degrees Celsius, depending on how your dryer controller is set up. Once either of the arrow keys is pressed, the temperature L.E.D. and the drying temperature on the 4-digit numeric display will flash. If you press and hold either arrow key down, you will increment (**UP** arrow) or decrement (**DOWN** arrow) your way through the available drying temperatures (105° Fahrenheit or 40° Celsius, up to 195° Fahrenheit or 91° Celsius). If you do not want to change the drying temperature, do not press the arrow keys. Go to the next step.
- 7) Press and release the **SELECT/ENTER** key. Once this key is pressed and released, the temperature L.E.D. will switch off, the dry cycle L.E.D. and programming L.E.D. will remain on, and the cool down L.E.D. will illuminate. The cool down time will also be shown on the 4-digit numeric display.
- 8) Press and release the **UP** or **DOWN** arrow keys to change the cool down time. Once either of the arrow keys is pressed, the cool down L.E.D. and the cool down time on the 4-digit numeric display will flash. If you press and hold either arrow key down, you will increment (**UP** arrow) or decrement (**DOWN** arrow) through the cool down times available (2 through 60 minutes). To not change the cool down time, do not press the arrow keys. Go to the next step.
- 9) Press and release the **SELECT/ENTER** key. Once this key is pressed and released, the cool down L.E.D. and the programming L.E.D. will switch off, and the dry cycle L.E.D. will remain on. The flashing cool down time on the 4-digit display will stop flashing and remain.
- 10) At this point, you have two choices. 1) You can perform the modified dry cycle by pressing and releasing the **START** key on the dryer controller touch pad, or 2) You can clear the modified dry cycle program by pressing and releasing the **STOP** key once. If you start the modified cycle, the total dry time will appear on the 4-digit numeric display and it will count down to 0 as the dry cycle progresses. If you choose to clear the modified dry cycle, the 4-digit numeric display will change to "LOAD".

TEMPORARY NON-REVERSING DRYER CONTROLLER PROGRAMMING EXAMPLE

REQUIREMENTS: Dry a load with 40 minutes of actual heat at 185°F and five minutes of cool down.

The following procedure will show you how to temporarily modify the existing dry cycle 1 program for one cycle of drying. It is based on the assumption that the factory defaults have not been permanently changed. If they have been changed, the steps of this procedure will be the same, but the values that are displayed will be different. The amount of times that the dryer controller touch pad UP or DOWN keys must be pressed and released may also be different.

If you want the change to be permanent, go to the "PERMANENT DRYER CONTROLLER PROGRAMMING" section of this manual.

PROCEDURE

- 1) After the load has been placed in the dryer, press and release the **UP** or **DOWN** touch pad key on the dryer controller until the L.E.D. for dry cycle 1 is illuminated.
- 2) Press and release the **CYCLE** key on the dryer controller touch pad. You will see the number "35" on the dryer controller display. The programming L.E.D. and dry time L.E.D. will be illuminated.
- 3) Press and release the **UP** arrow key on the dryer controller touch pad 10 times so the display will show a flashing "45". When the UP arrow touch pad key is pressed the first time, the number "36" will be flashing on the dryer controller display. Each number after that will also flash.
- 4) Now, press and release the **SELECT/ENTER** touch pad key on the dryer controller. The number "45" will stop flashing and the dry time L.E.D. will switch off. The dryer controller display will now show "180", the temperature L.E.D. will illuminate, and the programming L.E.D. and dry cycle 1 L.E.D. will remain on.
- 5) Press and release the **UP** arrow key on the dryer controller touch pad one time so the controller display will show a flashing "185". Each press of the UP arrow key will increment the temperature by five degrees.
- 6) Now, press and release the **SELECT/ENTER** touch pad key on the dryer controller. The number "185" will stop flashing and the temperature L.E.D. will switch off. The dryer control display will now show a number "5", the cool down L.E.D. will illuminate, and the programming L.E.D. and dry cycle 1 L.E.D. will remain on.
- 7) Press and release the **SELECT/ENTER** key on the dryer controller touch pad, since the desired cool down time is five minutes. After you press the SELECT/ENTER touch pad key on the controller, the cool down L.E.D. and programming L.E.D. will switch off. The controller display will remain at "5" and the cycle 1 L.E.D. will remain on.

You are now ready to start the new dry cycle. This new dry cycle will be in effect for one dry cycle only. After the dry cycle is done, or if the STOP touch pad key on the dryer controller is pressed and released twice, consecutively, the cycle 1 program will revert to the factory default settings.

If you press the START touch pad key on the dryer controller, the controller display will change from the number "5" to the number "45" and dry cycle 1 will begin.

PERMANENT NON-REVERSING DRYER CONTROLLER PROGRAMMING

The permanent programming mode will allow the change of the stored dry cycle settings in the dryer controller until the operator physically changes them again. The factory default settings can be restored in the dryer controller by pressing the default settings pushbutton on the back (component) side of the dryer controller circuit board. It is labeled and located at the lower middle side of the printed circuit board, as you face the component side of the board. It must be pressed and held down for at least three seconds.

To permanently change a dryer controller cycle, follow the procedure below. Things that are displayed on the 4-digit numeric display will be in "quotation marks". Keys on the touch pad that physically need to be pressed will be in **CAPITAL AND BOLD LETTERS**.

If, at any time, you want to escape the permanent programming mode while changing the settings, you can press the **STOP** key on the dryer controller touch pad if the 4-digit numeric display is not flashing. The **SELECT/ENTER** key on the dryer controller touch pad can be pressed and released to enter the flashing value shown on the 4-digit numeric display and allow you to escape.

PROCEDURE

- 1) Make sure the dryer is not in a dry cycle. The 4-digit numeric display on the dryer controller will show "LOAD" when the dryer is not in a dry cycle.
- 2) Press and release the **PROG** key on the dryer controller touch pad.
- 3) Press and release the **UP** arrow key on the dryer controller touch pad. The programming L.E.D. will illuminate and the 4-digit numeric display on the dryer controller will change to "Prog".
- 4) Press and release the **UP** or **DOWN** arrow keys to choose the dry cycle you want to change (dry cycle 1 through 5). The dry cycle L.E.D. will illuminate to indicate which dry cycle you are choosing. If you press either arrow key and hold it down, the controller will sequence through the five dry cycles.
- 5) Press and release the **SELECT/ENTER** key once you have chosen the dry cycle you want to change. After you press this key, the dry time L.E.D. will illuminate. The dry cycle L.E.D. and the programming L.E.D. will remain illuminated. The total dry time will also be displayed on the 4-digit numeric display.
- 6) Press and release the **UP** or **DOWN** arrow keys to change the total dry time. Once either of the arrow keys is pressed, the dry time L.E.D. and the total dry time on the 4-digit numeric display will flash. If you press and hold either arrow key down, you will increment (**UP** arrow) or decrement (**DOWN** arrow) through the total dry times available (1 through 60 minutes). This displayed dry time includes the cool down time along with the heated time. To not change the total dry time, do not press the arrow keys. Go to the next step.
- 7) Press and release the **SELECT/ENTER** key. Once this key is pressed and released, the dry time L.E.D. will switch off, the dry cycle L.E.D. and programming L.E.D. will remain on, and the temperature L.E.D. will illuminate. The drying temperature will also be shown on the 4-digit numeric display.
- 8) Press and release the **UP** or **DOWN** arrow keys to change the drying temperature. Each press and release of the arrow keys will either increase or decrease the temperature by five degrees Fahrenheit or three degrees Celsius, depending on how your dryer controller is set up. Once either of the arrow keys is pressed, the temperature L.E.D. and the drying temperature on the 4-digit numeric display will flash. If you press and hold either arrow key down, you will increment (**UP** arrow) or decrement (**DOWN** arrow) your way through the available drying temperatures (105° Fahrenheit or 40° Celsius, up to 195° Fahrenheit or 91° Celsius). If you do not want to change the drying temperature, do not press the arrow keys. Go to the next step.
- 9) Press and release the **SELECT/ENTER** key. Once this key is pressed and released, the temperature L.E.D. will switch off, the dry cycle L.E.D. and programming L.E.D. will remain on, and the cool down L.E.D. will illuminate. The cool down time will also be shown on the 4-digit numeric display.
- 10) Press and release the **UP** or **DOWN** arrow keys to change the cool down time. Once either of the arrow keys is pressed, the cool down L.E.D. and the cool down time on the 4-digit numeric display will flash. If you press and hold either arrow key down, you will increment (**UP** arrow) or decrement (**DOWN** arrow) through the cool down times available (2 through 60 minutes). To not change the cool down time, do not press the arrow keys. Go to the next step.
- 11) Press and release the **SELECT/ENTER** key. Once this key is pressed and released, the cool down L.E.D. will switch off, the dry cycle L.E.D. and programming L.E.D. will remain on, and the 4-digit numeric display will change to "Prog".
- 12) Press and release the **STOP** key to save the cycle program and escape the programming mode. If you want

to change the same dry cycle program again, press the **SELECT/ENTER** key and continue at step 6 of this procedure. If you want to modify another dry cycle program, go to step 4 of this procedure and continue.

- 13) If you pressed the **STOP** key to escape the programming mode, you may now start the dry cycle by pressing the **START** key.

PERMANENT NON-REVERSING DRYER CONTROLLER PROGRAMMING **EXAMPLE**

REQUIREMENTS: Dry a load with 50 minutes of actual heat at 195° F and three minutes of cool down.

The following procedure will show you how to permanently modify the existing dry cycle 1 program for one cycle of drying. It is based on the assumption that the factory defaults have not been permanently changed. If they have been changed, the steps of this procedure will be the same, but the values that are displayed will be different. The amount of times that the dryer controller touch pad UP or DOWN keys must be pressed and released may also be different.

If you want the change to be temporary (for only one dry cycle), go to the "TEMPORARY DRYER CONTROLLER PROGRAMMING" section of this manual.

PROCEDURE

- 1) After the load has been placed in the dryer, press and release the **UP** or **DOWN** touch pad key on the dryer controller until the L.E.D. for dry cycle 1 is illuminated.
- 2) Press and release the **PROG** touch pad key on the dryer controller. The dryer controller display will not change.
- 3) Immediately, press and release the **UP** arrow key on the dryer controller touch pad. The controller display will change from "LOAD" to "Prog". You have now entered the permanent programming mode. The dry time L.E.D. will remain on and the programming L.E.D. will illuminate.
- 4) Press and release the **SELECT/ENTER** touch pad key once. The dry time L.E.D. and programming L.E.D. will remain on and the dry time L.E.D. will illuminate. The dryer controller will also show the number "35".
- 5) Press the **UP** arrow touch pad key 18 times until the dryer controller display shows the number "53".
- 6) Press and release the **SELECT/ENTER** touch pad key once. The dry time L.E.D. and programming L.E.D. will remain on and the dry time L.E.D. will switch off. The temperature L.E.D. will illuminate and the dryer controller display will show the number "180".
- 7) Press and release the **UP** arrow touch pad key three times until the dryer controller display shows the number "195".
- 8) Press and release the **SELECT/ENTER** touch pad key. The dry time L.E.D. and the programming L.E.D. will remain on and the temperature L.E.D. will switch off. The cool down L.E.D. will illuminate and the dryer controller display will show the number "5".
- 9) Press and release the **DOWN** arrow touch pad key twice until the dryer controller display shows the number "3".
- 10) Press and release the **SELECT/ENTER** touch pad key. The dry time L.E.D. and the programming L.E.D. will remain on and the cool down L.E.D. will switch off. The dryer controller display will change to "Prog".
- 11) Press and release the **STOP** touch pad key. The dry time L.E.D. will remain on and the programming L.E.D. will switch off. The dryer controller display will change to the word "LOAD".

The dryer is now ready for the new modified dry cycle to start. This modified dry cycle 1 program will remain in the dryer controller memory until the default settings push button is pressed. This default settings push button is located on the component side of the dryer controller printed circuit board at the middle center side of each circuit board controls.

TEMPORARY REVERSING DRYER CONTROLLER PROGRAMMING

The temporary programming mode will allow the change of the stored dry cycle settings in the dryer controller for one complete dry cycle. After the dry cycle is complete, the default settings that existed before the temporary change are restored. The temporary dry cycle can be stopped and cleared at any time during the dry cycle operation.

To temporarily change a dryer controller cycle, follow the procedures below. Things that are displayed on the 4-digit numeric display will be in "quotation marks". Keys on the dryer controller touch pad that physically need to be pressed will be in **CAPITAL AND BOLD LETTERS**.

If, at any time, you want to escape the temporary programming mode while changing the program settings, you can press the **STOP** key on the dryer controller touch pad if the 4-digit numeric display is not flashing. The **SELECT/ENTER** key on the dryer controller touch pad can be pressed and released to enter the flashing value shown on the 4-digit numeric display and allow you to escape.

If you press and release the **STOP** key on the dryer controller touch pad, when the 4-digit numeric display is not flashing, the temporary changes to the dry cycle program will be cancelled. The stored dry cycle settings that existed before the temporary change will then be restored.

If, at any time, you want to start the temporary dry cycle during the temporary programming mode, press and release the **START** key on the dryer controller touch pad if the 4-digit numeric display is not flashing. The **SELECT/ENTER** key on the dryer controller touch pad can be pressed and released to enter the flashing value shown on the 4-digit numeric display and allow you to start the temporary dry cycle. If you start the temporary dry cycle, the 4-digit numerical display will change to the total dry time and count down to 0 as the dry cycle progresses.

PROCEDURE

- 1) Make sure the dryer is not in a dry cycle. The 4-digit numeric display on the dryer controller will show "LOAd" when the dryer is not in a dry cycle.
- 2) Press and release either the **UP** or **DOWN** touch pad switch on the dryer controller to choose the dry cycle that you want to change (dry cycle 1 through 5). The dry cycle L.E.D. will illuminate to indicate which dry cycle you are choosing. If you press and hold down either the **UP** or **DOWN** touch pad switch, the controller will sequence through the five dry cycles.
- 3) Press and release the **CYCLE** touch pad switch on the dryer controller once you have chosen the dry cycle you want to change. After you press the **CYCLE** touch pad switch, the programming L.E.D. and the dry time L.E.D. will illuminate, the dry cycle L.E.D. will remain illuminated, and the total dry time will be displayed on the 4-digit numeric display.
- 4) Press and release either the **UP** or **DOWN** touch pad switch on the dryer controller to change the total cycle time. Once either the **UP** or **Down** touch pad switch is pressed, the dry time L.E.D. and the total dry time on the 4-digit numeric display will flash. If you press and hold down either **UP** or **DOWN** touch pad switch, you will increment (**UP** arrow) or decrement (**DOWN** arrow) through the total dry times available (1 through 60 minutes). This display dry time includes the cool down time along with the heated time. To not change the cool down time, do not press either the **UP** or **DOWN** touch pad switch. Go to the next step.
- 5) Press and release the **SELECT/ENTER** touch pad switch on the dryer controller. Once the **SELECT/ENTER** touch pad switch is pressed and released, the dry time L.E.D. will switch off, the dry cycle L.E.D. and programming L.E.D. will remain on, the temperature L.E.D. will illuminate, and the drying temperature will be shown on the 4-digit numeric display.
- 6) Press and release either the **UP** or **DOWN** touch pad switch on the dryer controller to change the drying temperature. Each press and release of either the **UP** or **DOWN** touch pad switch will either increase or decrease, respectively, the temperature by five degrees Fahrenheit or three degrees Celsius, depending on how your dryer controller is set up. Once either the **UP** or **DOWN** touch pad switch is pressed, the temperature L.E.D. and the drying temperature on the 4-digit numeric display will flash. If you press and hold down either the **UP** or **DOWN** touch pad switch, you will increment (**UP** arrow) or decrement (**DOWN** arrow) your way through the available drying temperatures (105° Fahrenheit or 41° Celsius, up to 195° Fahrenheit or 90°

Celsius). If you do not want to change the drying temperature, do not press either the **UP** or **DOWN** touch pad switch. Go to the next step

- 7) Press and release the **SELECT/ENTER** touch pad switch on the dryer controller. Once the **SELECT/ENTER** touch pad switch is pressed and released, the temperature L.E.D. will switch off, the dry cycle L.E.D. and programming L.E.D. will remain on, the cool down L.E.D. will illuminate, and the cool down time will be shown on the 4-digit numeric display.
- 8) Press and release either the **UP** or **DOWN** touch pad switch on the dryer controller to change the cool down time. Once either the **UP** or **DOWN** touch pad switch is pressed, the cool down time L.E.D. and the cool down time on the 4-digit numeric display will flash. If you press and hold down either the **UP** or **DOWN** touch pad switch, you will increment (**UP** arrow) or decrement (**DOWN** arrow) through the cool down times available (2 through 60 minutes if the controller has a red dot sticker or 2 through 15 minutes if the controller has no red dot sticker). To not change the cool down time, do not press either the **UP** or **DOWN** touch pad switch. Go to the next step.
- 9) Press and release the **SELECT/ENTER** touch pad switch on the dryer controller. Once the **SELECT/ENTER** touch pad switch is pressed and released, the cool down L.E.D. will switch off, the dry cycle L.E.D. and the programming L.E.D. will remain on, the reversing L.E.D. will illuminate, and either "rEv" (reversing mode) or "nrEv" (non-reversing mode) will be shown on the 4-digit numeric display.
- 10) Press and release either the **UP** or **DOWN** touch pad switch to change between reversing and non-reversing operation. Once either the **UP** or **DOWN** touch pad switch is pressed, the reversing L.E.D. and the "rEv" (reversing mode) or the "nrEv" (non-reversing mode) shown on the 4-digit numeric display will flash. To not change the reversing or non-reversing mode of operation, do not press either the **UP** or **DOWN** touch pad switch. Go to the next step.
- 11) Press and release the **SELECT/ENTER** touch pad switch on the dryer controller. Once the **SELECT/ENTER** touch pad switch is pressed and released, the programming L.E.D. will switch off, the reversing L.E.D. and the dry cycle L.E.D. will remain on, and the flashing reversing (rEv) or the non-reversing (nrEv) on the 4-digit numeric display will stop flashing and remain.
- 12) At this point, you have two choices:
 - a) You can perform the modified dry cycle by pressing and releasing the **START** touch pad switch on the dryer controller touch pad. If you start the modified cycle, the total dry time will appear on the 4-digit numeric display and it will count down to 0 as the dry cycle progresses.
 - b) You can clear the modified dry cycle program by pressing and releasing the **STOP** touch pad switch. If you choose to clear the modified dry cycle, the 4-digit numeric display will change to "LOAD".

TEMPORARY DRYER CONTROLLER PROGRAMMING EXAMPLE

REQUIREMENTS: Dry a load, in reverse mode, with 40 minutes of actual heat at 185°F and two minutes of cool down.

The following procedure will show you how to temporarily modify the existing dry cycle 5 program for one cycle of drying. It is based on the assumption that the factory defaults have not been permanently changed. If they have been changed, the steps of this procedure will be the same, but the values that are displayed will be different. The amount of times that the **UP** or **DOWN** touch pad switches of the dryer controller must be pressed and released may also be different.

If you want the change to be permanent, go to the "PERMANENT REVERSING DRYER CONTROLLER PROGRAMMING" section of this manual.

PROCEDURE

- 1) After the load has been placed in the dryer, press and release either the **UP** or **DOWN** touch pad switch on the dryer controller until the L.E.D. for dry cycle 5 is illuminated.
- 2) Press and release the **CYCLE** touch pad switch on the dryer controller. You will see the number "25" on the dryer controller display. The programming L.E.D. and dry time L.E.D. will be illuminated.

- 3) Press and release the **UP** touch pad switch on the dryer controller 17 times so that the display will show a flashing "42". When the **UP** touch pad switch is pressed the first time, the number "26" will be flashing on the dryer controller display. Each number after that will also flash.
- 4) Now, press and release the **SELECT/ENTER** touch pad switch on the dryer controller. The number "42" will stop flashing, the dry time L.E.D. will switch off, the dryer controller display will now show "175", the temperature L.E.D. will illuminate, and the programming L.E.D. and dry cycle 5 L.E.D. will remain on.
- 5) Press and release the **UP** touch pad switch on the dryer controller two times so the controller display will show a flashing "185". Each press of the **UP** touch pad switch will increment the temperature by five degrees.
- 6) Now, press and release the **SELECT/ENTER** touch pad switch on the dryer controller. The number "185" will stop flashing, the temperature L.E.D. will switch off, the dryer control display will now show a number "2", the cool down L.E.D. will illuminate, and the programming L.E.D. and dry cycle 5 L.E.D. will remain on.
- 7) Press and release the **SELECT/ENTER** touch pad switch on the dryer controller, since the desired cool down time is two minutes. After you press the **SELECT/ENTER** touch pad switch, the cool down L.E.D. will switch off, the dryer controller display will show "nrEv", the reversing L.E.D. will illuminate, and the programming L.E.D. and the cycle 5 L.E.D. will remain on.
- 8) Press and release either the **UP** or **DOWN** touch pad switch on the dryer controller once. A flashing "rEv" will appear on the dryer controller display and the reversing L.E.D. will start to flash. Each press and release of either the **UP** or **DOWN** touch pad switch will toggle between the reversing mode ("rEv") and the non-reversing mode ("nrEv").
- 9) Press and release the **SELECT/ENTER** touch pad switch on the dryer controller. Once the **SELECT/ENTER** touch pad switch is pressed and released, the programming L.E.D. and the reversing L.E.D. will switch off, the dry cycle 5 L.E.D. will remain on, and the flashing "rEv" will stop flashing and remain on.

You are now ready to start the new dry cycle. This new dry cycle will be in effect for one dry cycle only. After the dry cycle is done, or if the **STOP** touch pad switch on the dryer controller is pressed and released twice, consecutively, the cycle 5 program will revert to the factory default settings.

If you press the **START** touch pad switch on the dryer controller, the controller display will change from the "rEv" to the number "42" and dry cycle 5 will begin.

PERMANENT REVERSING DRYER CONTROLLER PROGRAMMING

The permanent programming mode will allow the change of the stored dry cycle settings in the dryer controller until the operator physically changes them again. The factory default settings can be restored in the dryer controller by pressing the default settings pushbutton on the back (component) side of the dryer controller circuit board. It is labeled and located at the lower middle side of the printed circuit board, as you face the component side of the board. It must be pressed and held down for at least three seconds.

To permanently change a dryer controller cycle, follow the procedure below. Things that are displayed on the 4-digit numeric display will be in "quotation marks". Keys on the touch pad that physically need to be pressed will be in **CAPITAL AND BOLD LETTERS**.

If, at any time, you want to escape the permanent programming mode while changing the settings, you can press the **STOP** key on the dryer controller touch pad if the 4-digit numeric display is not flashing. The **SELECT/ENTER** key on the dryer controller touch pad can be pressed and released to enter the flashing value shown on the 4-digit numeric display and allow you to escape.

PROCEDURE

- 1) Make sure the dryer is not in a dry cycle. The 4-digit numeric display on the dryer controller will show "LOAD" when the dryer is not in a dry cycle.
- 2) Press and release the **PROG** touch pad switch on the dryer controller.
- 3) Press and release the **UP** touch pad switch on the dryer controller. The programming L.E.D. will illuminate and the 4-digit numeric display on the dryer controller will change to "Prog".

- 4) Press and release either the **UP** or **DOWN** touch pad switch to choose the dry cycle you want to change (dry cycle 1 through 5). The dry cycle L.E.D. will illuminate to indicate which dry cycle you are choosing. If you press and hold down either the **UP** or **DOWN** touch pad switch, the controller will sequence through the five dry cycles.
- 5) Press and release the **SELECT/ENTER** touch pad switch once you have chosen the dry cycle you want to change. After you press the **SELECT/ENTER** touch pad switch, the dry time L.E.D. will illuminate, the dry cycle L.E.D. and the programming L.E.D. will remain illuminated, and the total dry time will be displayed on the 4-digit numeric display.
- 6) Press and release either the **UP** or **DOWN** touch pad switch on the dryer controller to change the total dry time. Once either **UP** or **DOWN** touch pad switch is pressed, the dry time L.E.D. and the total dry time on the 4-digit numeric display will flash. If you press and hold down either the **UP** or **DOWN** touch pad switch, you will increment (**UP** arrow) or decrement (**DOWN** arrow) through the total dry times available (1 through 60 minutes). The dry time on the controller display includes the cool down time along with the heated time. To not change the total dry time, do not press either the **UP** or **DOWN** touch pad switch. Go to the next step.
- 7) Press and release the **SELECT/ENTER** touch pad switch of the dryer controller. Once the **SELECT/ENTER** touch pad switch is pressed and released, the dry time L.E.D. will switch off, the dry cycle L.E.D. and programming L.E.D. will remain on, the temperature L.E.D. will illuminate, and the drying temperature will be shown on the 4-digit numeric display.
- 8) Press and release either the **UP** or **DOWN** touch pad switch of the dryer controller to change the drying temperature. Each press and release of either the **UP** or **DOWN** touch pad switch will either increase or decrease, respectively, the temperature by five degrees Fahrenheit or three degrees Celsius, depending on how your dryer controller is set up. Once either the **UP** or **DOWN** touch pad switch is pressed, the temperature L.E.D. and the drying temperature on the 4-digit numeric display will flash. If you press and hold down either the **UP** or **DOWN** touch pad switch, you will increment (**UP** arrow) or decrement (**DOWN** arrow) your way through the available drying temperatures (105° Fahrenheit or 41° Celsius, up to 195° Fahrenheit or 90° Celsius). If you do not want to change the drying temperature, do not press either the **UP** or **DOWN** touch pad switch. Go to the next step.
- 9) Press and release the **SELECT/ENTER** touch pad switch on the dryer controller. Once the **SELECT/ENTER** touch pad switch is pressed and released, the temperature L.E.D. will switch off, the dry cycle L.E.D. and programming L.E.D. will remain on, the cool down L.E.D. will illuminate, and the cool down time will be shown on the 4-digit numeric display.
- 10) Press and release either the **UP** or **DOWN** touch pad switch on the dryer controller to change the cool down time. Once either the **UP** or **DOWN** touch pad switch is pressed, the cool down L.E.D. and the cool down time on the 4-digit numeric display will flash. If you press and hold down either the **UP** or **DOWN** touch pad switch, you will increment (**UP** arrow) or decrement (**DOWN** arrow) through the cool down times available (2 through 60 minutes if the controller has a red dot sticker or 2 through 15 minutes if the controller has no red dot sticker). To not change the cool down time, do not press either the **UP** or **DOWN** touch pad switch. Go to the next step.
- 11) Press and release the **SELECT/ENTER** touch pad switch on the dryer controller. Once the **SELECT/ENTER** touch pad switch is pressed and released, the cool down L.E.D. will switch off, the dry cycle L.E.D. and programming L.E.D. will remain on, the reversing L.E.D. will illuminate, and either "rEv" (reversing mode) or "nrEv" (non-reversing mode) will be shown on the 4-digit numeric display.
- 12) Press and release either the **UP** or **DOWN** touch pad switch on the dryer controller to change between reversing and non-reversing operation. Once either of the **UP** or **DOWN** touch pad switch is pressed, the reversing L.E.D. and the "rEv" (reversing mode) or the "nrEv" (non-reversing mode) shown on the 4-digit numeric display will flash. To not change the reversing or non-reversing mode of operation, do not press either the **UP** or **DOWN** touch pad switch. Go to the next step.
- 13) Press and release the **SELECT/ENTER** touch pad switch on the dryer controller. Once the **SELECT/ENTER** touch pad switch is pressed and released, the reversing L.E.D. will switch off, the dry cycle L.E.D. and the programming L.E.D. will remain on, and the 4-digit numeric display will change to "Prog".
- 14) Press and release the **STOP** touch pad switch on the dryer controller to save the cycle program and escape the programming mode. If you want to change the same dry cycle program again, press the

SELECT/ENTER touch pad switch and continue at step 6 of this procedure. If you want to modify another dry cycle program, go to step 4 of this procedure and continue.

- 15) If you pressed the **STOP** touch pad switch to escape the programming mode, you may now start the dry cycle by pressing the **START** touch pad switch.

PERMANENT REVERSING DRYER CONTROLLER PROGRAMMING

EXAMPLE

REQUIREMENTS: Dry a load, in reverse mode, with 50 minutes of actual heat at 195°F and three minutes of cool down.

The following procedure will show you how to permanently modify the existing dry cycle 5 program for one cycle of drying. It is based on the assumption that the factory defaults have not been permanently change. If they have been changed, the steps of this procedure will be the same, but the values that are displayed will be different. The amount of times that either the **UP** or **DOWN** touch pad switch of the dryer controller must be pressed and released may also be different.

If you want the change to be temporary (for only one dry cycle), go to the "TEMPORARY REVERSING DRYER CONTROLLER PROGRAMMING" section of this manual.

PROCEDURE:

- 1) After the load has been placed in the dryer, press and release the **UP** or **DOWN** touch pad switch on the dryer controller until the L.E.D. for dry cycle 5 is illuminated.
- 2) Press and release the **PROG** touch pad switch on the dryer controller. The display of the dryer controller will not change.
- 3) Immediately, press and release the **UP** touch pad switch on the dryer controller. The controller display will change from "LOAd" to "Prog". You have now entered the permanent programming mode. The dry time L.E.D. will remain on and the programming L.E.D. will illuminate.
- 4) Press and release the **SELECT/ENTER** touch pad switch once. The dry cycle 5 L.E.D. and the programming L.E.D. will remain on, the dry time L.E.D. will illuminate, and the dryer controller will show the number "25".
- 5) Press the **UP** touch pad switch 28 times until the display of the dryer controller shows the number "53".
- 6) Press and release the **SELECT/ENTER** touch pad switch of the dryer controller once. The dry cycle 5 L.E.D. and the programming L.E.D. will remain on, the dry time L.E.D. will switch off, the temperature L.E.D. will illuminate, and the dryer controller display will show the number "175".
- 7) Press and release the **UP** touch pad switch four times until the dryer controller display shows the number "195".
- 8) Press and release the **SELECT/ENTER** touch pad switch of the dryer controller. The dry cycle 5 L.E.D. and the programming L.E.D. will remain on, the temperature L.E.D. will switch off, the cool down L.E.D. will illuminate, and the dryer controller display will show the number "5".
- 9) Press and release the **UP** touch pad switch once until the dryer controller display shows the number "3".
- 10) Press and release the **SELECT/ENTER** touch pad switch of the dryer controller. The dry cycle 5 L.E.D. and the programming L.E.D. will remain on, the cool down L.E.D. will switch off, the reversing L.E.D. will illuminate, and the dryer controller display will show "nrEv".
- 11) Press and release either the **UP** or **DOWN** touch pad switch on the dryer controller once. A flashing "rEv" will appear on the dryer controller display and the reversing L.E.D. will start to flash. Each press and release of either the **UP** or **DOWN** touch pad switch will toggle between the reversing mode ("rEv") and the non-reversing mode ("nrEv").
- 12) Press and release the **SELECT/ENTER** touch pad switch of the dryer controller. Once the **SELECT/ENTER** touch pad switch is pressed and released, the reversing L.E.D. will switch off, the programming L.E.D. and the dry cycle 5 L.E.D. will remain on, and the flashing "rEv" will be replaced by the word "Prog".

13) Press and release the **STOP** touch pad switch of the dryer controller. The dry cycle 5 L.E.D. will remain on, the programming L.E.D. will switch off, and the dryer controller display will change to the word "LOAD".

The dryer is now ready for the new modified dry cycle to start. This modified dry cycle 5 program will remain in the dryer controller memory until the default settings push button is pressed. This default setting push button is located on the component side of the dryer controller printed circuit board at the lower middle side.

SERVICING AND TROUBLESHOOTING

CAUTION: Label all wires prior to disconnection when servicing controls. Wiring errors can cause improper and dangerous operation. Verify proper operation after servicing.

ATTENTION. Lors des opérations d'entretien des commandes, étiqueter tous les fils avant de les déconnecter. Toute erreur de câblage peut être une source de danger et de panne.

If any of the following symptoms occur on this dryer, check the suggested remedies listed below. If all probable causes have been eliminated and the symptom still exists, contact your local Dexter agent for further troubleshooting assistance. See contact information in Preventative Maintenance section. Parts & Service Manuals from Dexter are also available for further troubleshooting assistance.

Symptom	Probable Cause	Suggested Remedy
Tumbler Does not turn	Control	Check that Control Display shows time available for drying.
	Loading Door	Check that Loading Door is completely closed
	Lint Compartment Door	Check that Lint Compartment Door is completely closed.
	Drive Belts	Check drive belts for excessive wear. Replace as needed.
Tumbler Turns, but no burner flame is present	Gas shut-off valve	Make sure gas shut-off valve is in the open position
	Ignition Module	Follow the procedure for checking the ignition cycle listed in Dryer Ignition section of this manual.
Slow Drying	Control	Check that proper Temperature setting is chosen.
	Lint Screen	Clean Lint Screen
	Air flow Restrictions/ Make-up Air	Follow installation guidelines for static back pressure and make-up air
	Exhaust	Check exhaust for obstructions, follow installation guidelines

PREVENTIVE MAINTENANCE INSTRUCTIONS

DAILY

1. Clean the lint screen. Use a soft brush if necessary.
2. Check the lint screen for tears. Replace if necessary.
3. Clean lint from the lint screen compartment.
4. Inspect felt seal on lint screen assembly. Replace if necessary.

MONTHLY

1. Remove lint accumulation from the end bells of the motors.
2. Remove lint accumulation from front control area.
3. Remove lint and dirt accumulation from the top of the dryer and all areas above, below, and around the burners and burner housing. Failure to keep this portion of the dryer clean can lead to a build-up of lint creating a fire hazard.

QUARTERLY

1. Check the belts for looseness, wear, or fraying.
2. Inspect the gasket of the door glass for excessive wear.
3. Check tightness of all fasteners holding parts to support channel.
4. Check tightness of all set screws.
5. Inspect the impeller for tightness of the blades to hub.
6. Remove the air flow switch assembly and check the tumbler thru-bolts for tightness.
7. Grease the pivot pins and the tension arms where in contact with each other. (Where applicable)

SEMI-ANNUALLY

1. Remove and clean the main burners.
2. Remove all orifices and examine for dirt and hole obstruction.
3. Remove all lint accumulation. Remove the front panel and the lint screen housing and remove lint accumulation.
4. Apply a few drops of oil to each spacer tube on the tension arm assembly. (Where applicable)

ANNUALLY

1. Check the intermediate pulley bearings for wear.
2. Check and remove any lint accumulation from the exhaust system.
3. Grease the bearings and the shaft of the intermediate drive pulley. Use an Alemite grease gun and Molykote BR2-S grease. (Where applicable)

SERVICE PARTS	PART NUMBER	PART NUMBER	PART NUMBER	PART NUMBER
	T-20X2	T-30X2	T-50X2	T-50X2 REV
DRIVE BELT, MOTOR	9040-076-012	9040-077-001	9040-076-009	---
DRIVE BELT, TUMBLER	9040-073-013	9040-073-009	9040-073-011	9040-076-003
LINT SCREEN FILTER	9555-057-011	9555-057-002	9555-057-008	9555-057-008

For service and parts information, contact your local Dexter agent. To find your local Dexter agent, use the Distributor Locator at the website shown below. If a Dexter agent is not available, contact **Dexter Laundry, Inc.** directly as listed below:

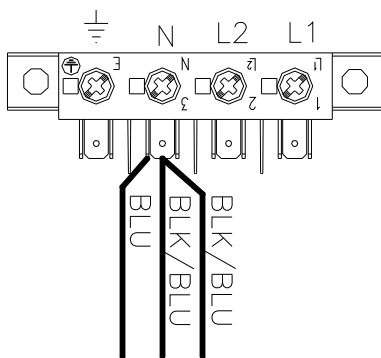
Mailing Address: 2211 West Grimes Avenue Phone: 1-800-524-2954
Fairfield, IA 52556
USA

Website: www.dexter.com

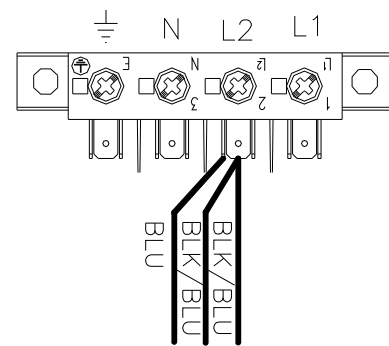
Instructions - Convert a Dual Voltage Stack Dryer from 120V to 208-240V (No Neutral Required, -15 MODELS)

1. Remove incoming power from the dryer. Use a known working voltmeter to check power.
2. Remove the cover of the control box assembly from the dryer using a 5/16" wrench.
3. Move the black/blue wire AND the blue wire from the N position of the main power terminal block to the L2 position of the main power terminal block in the upper control box assembly. See figure below.
4. Move the white/red wire of the upper motor harness to an upper inner left terminal in the middle terminal block in the lower control box assembly. See figure below.
5. Move the orange wire of the upper motor harness to an upper inner left terminal in the middle terminal block in the lower control box assembly. See figure below.
6. Move the white/red wire of the lower motor harness to a lower inner left terminal in the middle terminal block in the lower control box assembly. See figure below.
7. Move the orange wire of the lower motor harness to a lower inner left terminal in the middle terminal block in the lower control box assembly. See figure below.

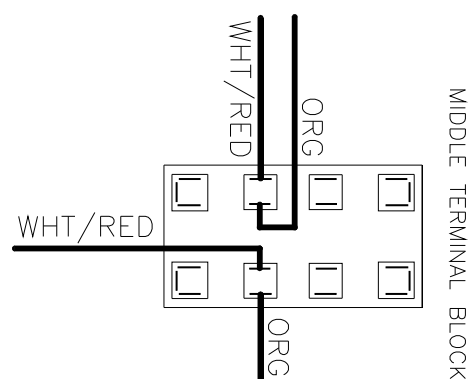
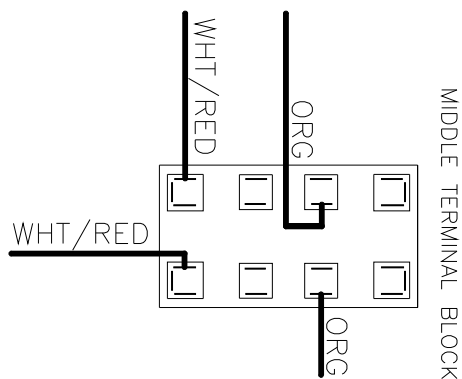
Conversion instructions continued on next page.



110-120V (L1, N)

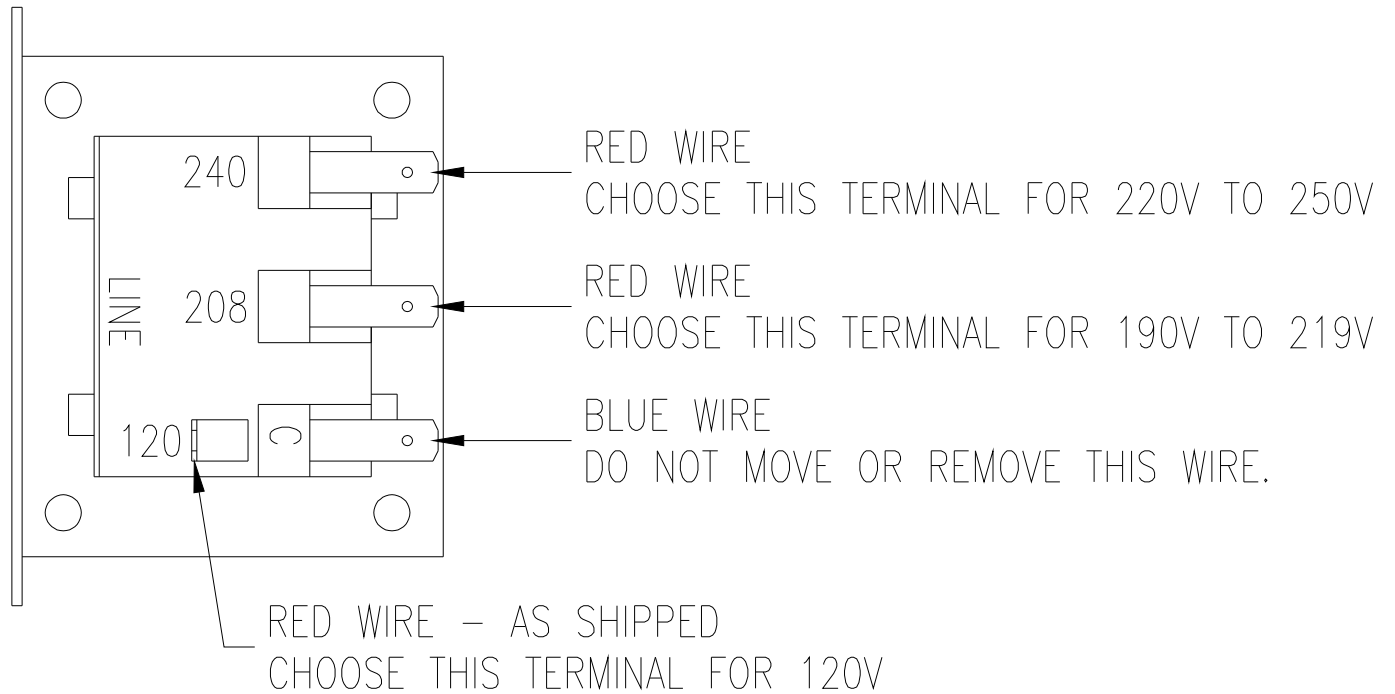


208-240V (L1, L2)



8. Move the red wire from the 120V tap on the transformer found in the bottom of control box to the required voltage tap based on actual supply voltage measurement. See figure below.

CONTROL TRANSFORMER CONNECTIONS
AS VIEWED FROM SIDE OF TRANSFORMER



9. Reconnect power to the dryer and test to ensure proper operation; one line voltage to L1, one line voltage to L2 and the earth ground to E.
10. Reinstall the cover of the control box assembly on the dryer using a 5/16" wrench.

**SÉCHEUSE INDUSTRIELLE
MODÈLES T-20X2, T-30X2 ET T-50X2 SUR SITE
COMMANDE DE LA SÉRIE B, CHAUFFAGE AU GAZ NATUREL/GPL**



DEXTER
LAUNDRY

**MANUEL DE L'UTILISATEUR
INSTRUCTIONS D'INSTALLATION ET D'UTILISATION**

La sécheuse ne doit pas être entreposée ni installée dans des endroits où elle risque d'être exposée à l'eau ou aux conditions climatiques.

▲ WARNING:

FIRE OR EXPLOSION HAZARD

Failure to follow safety warnings exactly could result in serious injury, death or property damage.

- Do not store or use gasoline or other flammable vapors and liquids in the vicinity of this or any other appliance.
- WHAT TO DO IF YOU SMELL GAS
 - Do not try to light any appliance.
 - Do not touch any electrical switch; do not use any phone in your building.
 - Clear the room, building or area of all occupants.
 - Immediately call your gas supplier from a neighbor's phone. Follow the gas supplier's instructions.
 - If you cannot reach your gas supplier, call the fire department.
- Installation and service must be performed by a qualified installer, service agency or the gas supplier.

Affichez l'avertissement « **Pour votre sécurité** » suivant dans un emplacement bien en vue :

FOR YOUR SAFETY

Do not store or use gasoline or other flammable vapors or liquids in the vicinity of this or any other appliance.

Il est important que vous lisiez ce manuel et le conserviez pour le consulter ultérieurement. Pour l'entretien ou les pièces de rechange, communiquez avec le distributeur de votre localité ou avec le fabricant.

▲ AVERTISSEMENT. Assurez-vous de bien suivre les instructions données dans cette notice pour réduire au minimum le risque d'incendie ou d'explosion ou pour éviter tout dommage matériel, toute blessure ou la mort.

- Ne pas entreposer ni utiliser d'essence ni d'autres vapeurs ou liquides inflammables dans le voisinage de cet appareil ou de tout autre appareil.
- QUE FAIRE SI VOUS SENTEZ UNE ODEUR DE GAZ:
 - Ne pas tenter d'allumer d'appareil.
 - Ne touchez à aucun interrupteur. Ne pas vous servir des téléphones se trouvant dans le bâtiment où vous vous trouvez.
 - Évacuez la pièce, le bâtiment ou la zone.
 - Appelez immédiatement votre fournisseur de gaz depuis un voisin. Suivez les instructions du fournisseur.
 - Si vous ne pouvez rejoindre le fournisseur de gaz, appelez le service des incendies.
- L'installation et l'entretien doivent être assurés par un installateur ou un service d'entretien qualifié ou par le fournisseur de gaz.

POUR VOTRE SÉCURITÉ

Ne pas entreposer ni utiliser d'essence ni d'autres vapeurs ou liquides inflammables dans le voisinage de cet appareil ou de tout autre appareil.

Vous, l'acheteur, devez afficher dans un emplacement bien en vue les instructions à suivre dans l'éventualité où l'utilisateur détecte une odeur de gaz. Consultez votre fournisseur de gaz local pour connaître la procédure à suivre si une odeur de gaz est détectée.

Dexter Laundry, Inc.
2211 W. Grimes
Fairfield, Iowa 52556, États-Unis

TABLE DES MATIÈRES

	N° de page
Avertissements relatifs à l'utilisation et au fonctionnement	44
Caractéristiques techniques de la sécheuse	45-48
Dimensions de la sécheuse	49-57
Instructions d'installation	58
Arrêt de la sécheuse	63
Description des commandes de la sécheuse	64-65
Codes de défaillance de la sécheuse	66
Notice d'utilisation	70
Programmation des commandes de la sécheuse	71
Entretien et dépannage	83
Instructions d'entretien préventif	84
Instructions de conversion en double tension	85

AVERTISSEMENTS RELATIFS À L'UTILISATION ET AU FONCTIONNEMENT

NE PAS MODIFIER CETTE MACHINE. MAINTENIR LES BOUCLERS, LES PROTECTIONS ET LES COUVERCLES EN PLACE. Ces dispositifs de sécurité sont fournis afin de prévenir les blessures.

Il est **ABSOLUMENT NÉCESSAIRE** de mettre la sécheuse à la terre en la raccordant à une masse de terre (zéro) connue en se conformant aux codes locaux ou, en cas d'absence de ces derniers, à la dernière édition du Code national de l'électricité ANSI/NFPA 70 ou au Code électrique canadien Standard CSA C22.1, Partie 1. Cette mesure assure non seulement la sécurité personnelle, mais elle est également nécessaire pour le bon fonctionnement du contrôleur. Le non-respect de cette consigne entraînera l'annulation de la garantie du contrôleur.

LA SÉCHEUSE DOIT ÊTRE RACCORDÉE À L'ALIMENTATION PENDANT AU MOINS TROIS (3) MINUTES avant sa mise en route ou un changement de programme. Toute coupure de courant ayant lieu durant cette phase de mise sous tension risquerait d'entraîner la perte de la mise en route ou du changement de programme. En cas de coupure de courant après ces trois premières minutes, toutes les données programmées sont protégées indéfiniment et le cycle individuel de l'utilisateur est protégé pendant une durée de trois secondes maximum, et cela sans aucune pile.

LA SÉCHEUSE DOIT ÊTRE RACCORDÉE À L'ALIMENTATION ÉLECTRIQUE EN PERMANENCE, sauf en cas d'entretien ou de toute autre activité similaire. Le compteur d'heures prend uniquement en compte les heures entièrement écoulées. Si l'alimentation électrique est coupée tous les soirs, toute heure partiellement écoulée au moment de la coupure sera perdue. À long terme, couper l'alimentation électrique tous les soirs pourrait également endommager la mémoire de l'appareil. Une coupure occasionnelle de l'alimentation n'affectera pas l'appareil.

CETTE SÉCHEUSE EST ÉQUIPÉE D'UN THERMOSTAT DE SUR-TEMPÉRATURE situé sur le côté du carter du brûleur sur les modèles T-30X2 et T-50X2, au-dessus du robinet de gaz (sur le modèle T-20X2, il est situé sur le côté du conduit d'évacuation, en dessous du carter du brûleur). Si la sécheuse cesse de fonctionner, reportez-vous au manuel « Procédure d'entretien et liste des pièces » pour trouver les instructions correspondantes.

VÉRIFIEZ CE THERMOSTAT LORS DE L'INSTALLATION DE LA SÉCHEUSE afin de vous assurer que le circuit n'est pas coupé en raison du déclenchement du disjoncteur. Les chocs, tels que la manipulation brusque lors de l'expédition, peuvent couper le circuit du thermostat en déclenchant le disjoncteur. Le disjoncteur peut être réenclenché en insérant un crayon ou une tige en bois dans l'orifice du couvercle. Remarque : Aucun couvercle n'est présent sur le modèle T-20X2.

NE PULVÉRISEZ PAS D'AÉROSOLS À PROXIMITÉ DE CETTE MACHINE lorsque celle-ci est en fonctionnement.

CETTE MACHINE NE DOIT PAS ÊTRE UTILISÉE POUR SÉCHER DES SOLVANTS OU DES LIQUIDES DE NETTOYAGE À SEC.

CARACTÉRISTIQUES TECHNIQUES

Sécheuse commerciale superposée 20 lb (9,1 kg) : T-20X2 – DN20X2N_-15EB_X (60 Hz), DN20X2N_-39AB_X (50 Hz)

Hauteur du châssis	68 1/2 po	1 740 mm
(En considérant un ajustement minime des pattes de mise à niveau)		
Largeur du châssis	27 po	686 mm
Profondeur du châssis	44 5/8 po	1 133 mm
Distance entre le sol et la porte (sécheuse inférieure)	8 1/2 po	216 mm
Distance entre le sol et la porte (sécheuse supérieure)	42 po	1 067 mm
Ouverture de la porte	18 1/8 po	460 mm
Capacité de poids à sec	20 x 2 lb	9,1 x 2 kg
Diamètre du cylindre	25 1/2 po	648 mm
Profondeur du cylindre	24 po	610 mm
Volume du cylindre	7,0 pi ³	198 litres
Zone du filtre à charpie	285 po ²	1 839 cm ²
Entrée de gaz (par sécheuse, 60 Hz)	56 000 BTU/h	16,4 kW
Entrée de gaz (par sécheuse, 50 Hz)	47 000 BTU/h	13,8 kW
Raccordement gaz	1/2 po	12,7 mm
Approvisionnement en gaz naturel (colonne d'eau)	5-8 po	127-203 mm
Collecteur du brûleur à gaz naturel		
(Colonne d'eau 60 Hz)	3,5 po	88,9 mm
(Colonne d'eau 50 Hz)	3,5 po	88,9 mm
Pression en GPL (colonne d'eau)	11,5-13,5 po	292-343 mm
Pression du collecteur du brûleur GPL		
(Colonne d'eau 60 Hz)	11 po	279 mm
(Colonne d'eau 50 Hz)	11 po	254 mm
Taille de l'évacuation	8 po	203 mm
Air d'appoint	1,0 pi ²	929 cm ²
Exemple : 1 pi ² = 1 pi de longueur x 1 pi de largeur		
Taille du moteur (par sécheuse)	1/3 HP	0,248 kW
Flux d'air (par sécheuse, 60 Hz)	370 pi ³ /min	10,5 m ³ /min
Flux d'air (par sécheuse, 50 Hz)	300 pi ³ /min	8,5 m ³ /min

Caractéristiques électriques – 120/60/1

Tension/Hz/Phase	120 V/60 Hz/Monophasé
Courant de fonctionnement	7,8
Courant de protection du circuit	20
Taille des câbles	12 AWG
Raccordement électrique	2 câbles + terre

Caractéristiques électriques – 208-240/60/1

Tension/Hz/Phase	208-240 V/60 Hz/Monophasé
Courant de fonctionnement	3,8
Courant de protection du circuit	15
Taille des câbles	12 AWG
Raccordement électrique	2 câbles + terre

Caractéristiques électriques – 230/50/1

Tension/Hz/Phase	230V/50Hz/Monophasé
Courant de fonctionnement	6,6
Courant de protection du circuit	15
Taille des câbles	12 AWG
Raccordement électrique	2 câbles + terre

Poids d'expédition	650 lb	295 kg
Poids net	615 lb	279 kg
Écart min. derrière les machines	18 po	457 mm

CARACTÉRISTIQUES TECHNIQUES

Sécheuse industrielle superposée 30 lb (13,6 kg) : T-30X2 - DN30X2N_-15EB_X (60 Hz), DN30X2N_-39AB_X (50 Hz)

Hauteur du châssis	76 1/4 po	1 937 mm
(En considérant un ajustement minime des pattes de mise à niveau)		
Largeur du châssis	31 1/2 po	800 mm
Profondeur du châssis	49 1/2 po	1 257 mm
Distance entre le sol et la porte (sécheuse inférieure)	7 5/8 po	194 mm
Distance entre le sol et la porte (sécheuse supérieure)	45 1/4 po	1 149 mm
Ouverture de la porte	22 5/8 po	575 mm
Capacité de poids à sec	30 x 2 lb	13,6 x 2 kg
Diamètre du cylindre	30 po	762 mm
Profondeur du cylindre	27 1/2 po	699 mm
Volume du cylindre	11,25 pi ³	319 litres
Zone du filtre à charpie	453 po ²	2 923 cm ²
Entrée de gaz (par sécheuse, 60 Hz)	90 000 BTU/h	26,4 kW
Entrée de gaz (par sécheuse, 50 Hz)	74 000 BTU/h	21,7 kW
Raccordement gaz	1/2 po	12,7 mm
Approvisionnement en gaz naturel (colonne d'eau)	5-8 po	127-203 mm
Collecteur du brûleur à gaz naturel		
(Colonne d'eau 60 Hz)	3,5 po	88,9 mm
(Colonne d'eau 50 Hz)	3,4 po	86,4 mm
Pression en GPL (colonne d'eau)	11,5-13,5 po	292-343 mm
Pression du collecteur du brûleur GPL		
(Colonne d'eau 60 Hz)	11 po	279 mm
(Colonne d'eau 50 Hz)	10 po	254 mm
Taille de l'évacuation	8 po	203 mm
Air d'appoint	1,5 pi ²	1 394 cm ²
Exemple : 1,5 pi ² = 1 pi de longueur x 1,5 pi de largeur		
Taille du moteur	1/2 HP	0,373 kW
Flux d'air (60 Hz)	600 pi ³ /min	17,0 m ³ /min
Flux d'air (50 Hz)	500 pi ³ /min	14,2 m ³ /min

Caractéristiques électriques – 120/60/1

Tension/Hz/Phase	120 V/60 Hz/Monophasé
Courant de fonctionnement	8
Courant de protection du circuit	20
Taille des câbles	12 AWG
Raccordement électrique	2 câbles + terre

Caractéristiques électriques – 208-240/60/1

Tension/Hz/Phase	208-240 V/60 Hz/Monophasé
Courant de fonctionnement	5
Courant de protection du circuit	15
Taille des câbles	12 AWG
Raccordement électrique	2 câbles + terre

Caractéristiques électriques – 230/50/1

Tension/Hz/Phase	230V/50Hz/Monophasé
Courant de fonctionnement	10
Courant de protection du circuit	15
Taille des câbles	12 AWG
Raccordement électrique	2 câbles + terre

Poids d'expédition	750 lb	340 kg
Poids net	699 lb	317 kg
Écart min. derrière les machines	18 po	457 mm

CARACTÉRISTIQUES TECHNIQUES

Sécheuse industrielle superposée 50 lb (22,7 kg) : T-50X2 – DN50X2N_-15EB_X (60 Hz), DN50X2N_-39AB_X (50 Hz)

Hauteur du châssis (En considérant un ajustement minime des pattes de mise à niveau)	79 1/4 po	2 012 mm
Largeur du châssis	34 1/2 po	876 mm
Profondeur du châssis	54 3/4 po	1 391 mm
Distance entre le sol et la porte (sécheuse inférieure)	7 po	178 mm
Distance entre le sol et la porte (sécheuse supérieure)	46 po	1 168 mm
Ouverture de la porte	25 5/8 po	651 mm
Capacité de poids à sec	50 x 2 lb	22,7 x 2 kg
Diamètre du cylindre	32 1/2 po	826 mm
Profondeur du cylindre	33 po	838 mm
Volume du cylindre	15,84 pi ³	448 litres
Zone du filtre à charpie	544 po ²	3 510 cm ²
Entrée de gaz (par sécheuse, 60 Hz)	108 000 BTU/h	31,7 kW
Entrée de gaz (par sécheuse, 50 Hz)	96 500 BTU/h	28,3 kW
Raccordement gaz	1/2 po	12,7 mm
Approvisionnement en gaz naturel (colonne d'eau)	5-8 po	127-203 mm
Collecteur du brûleur à gaz naturel (Colonne d'eau 60 Hz)	3,5 po	88,9 mm
(Colonne d'eau 50 Hz)	3,5 po	88,9 mm
Pression en GPL (colonne d'eau)	11,5-13,5 po	292-343 mm
Pression du collecteur du brûleur GPL (Colonne d'eau 60 Hz)	11 po	279 mm
(Colonne d'eau 50 Hz)	10 po	254 mm
Taille de l'évacuation	8 po	203 mm
Air d'appoint Exemple : 1,5 pi ² = 1 pi de longueur x 1,5 pi de largeur	1,5 pi ²	1 394 cm ²
Taille du moteur	3/4 HP	0,560 kW
Flux d'air (60 Hz)	650 pi ³ /min	18,4 m ³ /min
Flux d'air (50 Hz)	510 pi ³ /min	14,4 m ³ /min

Caractéristiques électriques – 120/60/1

Tension/Fréquence/Phase	120 V/60 Hz/Monophasé
Courant de fonctionnement	20
Courant de protection du circuit	30
Taille des câbles	10 AWG
Raccordement électrique	2 câbles + terre

Caractéristiques électriques – 208-240/60/1

Tension/Hz/Phase	208-240 V/60 Hz/Monophasé
Courant de fonctionnement	10
Courant de protection du circuit	20
Taille des câbles	12 AWG
Raccordement électrique	2 câbles + terre

Caractéristiques électriques – 230/50/1

Tension/Hz/Phase	230V/50 Hz/Monophasé
Courant de fonctionnement	10
Courant de protection du circuit	20
Taille des câbles	12 AWG
Raccordement électrique	2 câbles + terre

Poids d'expédition	917 lb	416 kg
Poids net	857 lb	389 kg
Écart min. derrière les machines	18 po	457 mm

CARACTÉRISTIQUES TECHNIQUES

Sécheuse industrielle superposée 50 lb (22,7 kg) : T-50x2 à tambour réversible DN50X2N_-11EB_R (60 Hz), DN50X2N_-39AB_R (50 Hz)

Hauteur du châssis	79 1/4 po	2 012 mm
(En considérant un ajustement minime des pattes de mise à niveau)		
Largeur du châssis	34 1/2 po	876 mm
Profondeur du châssis	54 3/4 po	1 391 mm
Distance entre le sol et la porte (sécheuse inférieure)	7 po	178 mm
Distance entre le sol et la porte (sécheuse supérieure)	46 po	1 168 mm
Ouverture de la porte	25 5/8 po	651 mm
Capacité de poids à sec	50 x 2 lb	22,7 x 2 kg
Diamètre du cylindre	32 1/2 po	826 mm
Profondeur du cylindre	33 po	838 mm
Volume du cylindre	15,84 pi ³	448 litres
Zone du filtre à charpie	544 po ²	3 510 cm ²
Entrée de gaz (par sécheuse, 60 Hz)	108 000 BTU/h	31,7 kW
Entrée de gaz (par sécheuse, 50 Hz)	96 500 BTU/h	28,3 kW
Raccordement gaz	1/2 po	12,7 mm
Approvisionnement en gaz naturel (colonne d'eau)	5-8 po	127-203 mm
Collecteur du brûleur à gaz naturel		
(Colonne d'eau 60 Hz)	3,5 po	88,9 mm
(Colonne d'eau 50 Hz)	3,5 po	88,9 mm
Pression en GPL (colonne d'eau)	11,5-13,5 po	292-343 mm
Pression du collecteur du brûleur GPL		
(Colonne d'eau 60 Hz)	11 po	279 mm
(Colonne d'eau 50 Hz)	10 po	254 mm
Taille de l'évacuation	8 po	203 mm
Air d'appoint	1,5 pi ²	1 394 cm ²
Exemple : 1,5 pi ² = 1 pi de longueur x 1,5 pi de largeur		
Tailles du moteur	1/2 & 2 H.P.	0,373 & 1,492 kW
Flux d'air (60 Hz)	650 pi ³ /min	18,4 m ³ /min
Flux d'air (50 Hz)	510 pi ³ /min	14,4 m ³ /min

Caractéristiques électriques – 208-240/60/1

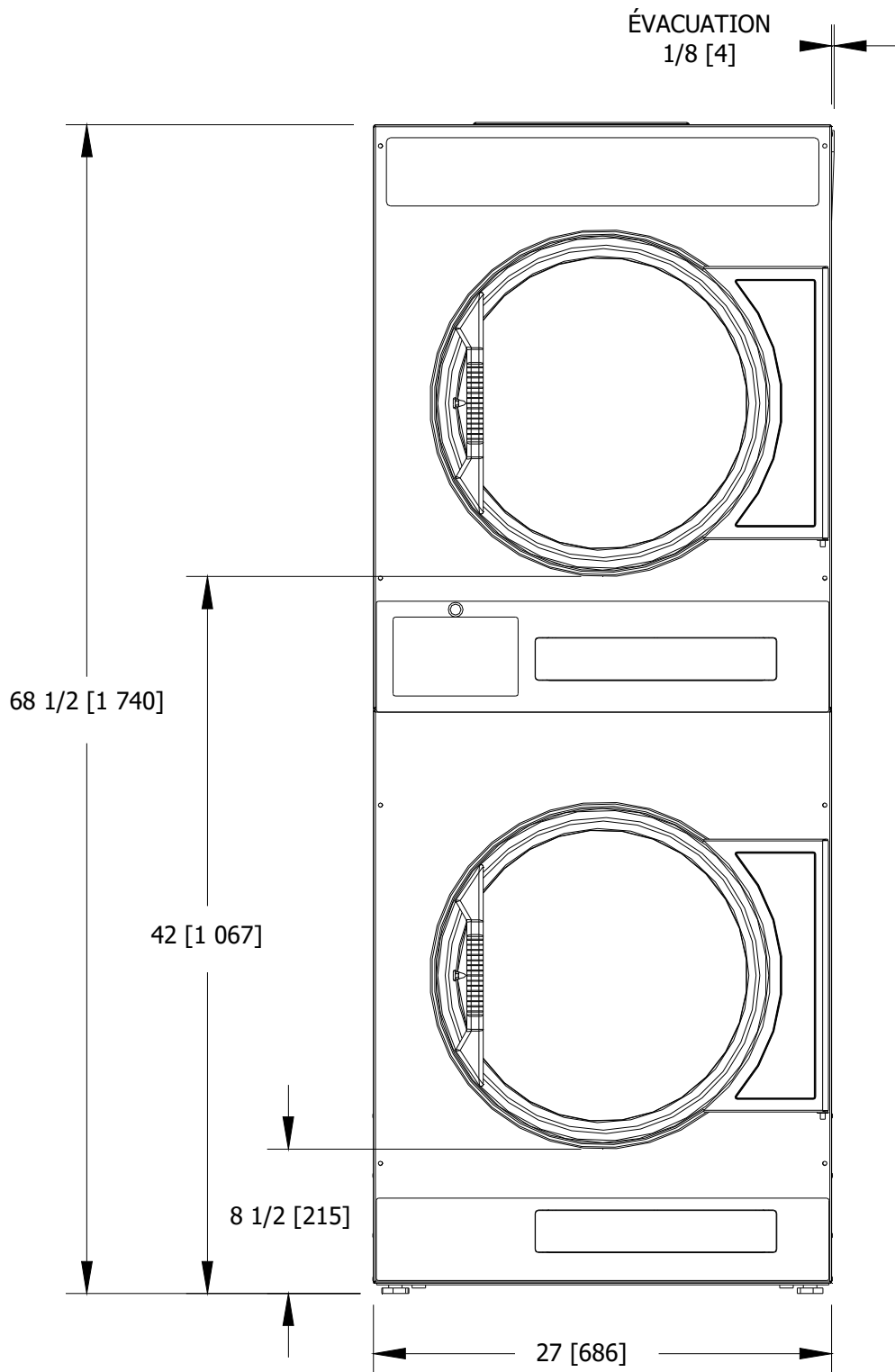
Tension/Hz/Phase	208-240 V/60 Hz/Monophasé
Courant de fonctionnement	15,0
Courant de protection du circuit	20
Taille des câbles	12 AWG
Raccordement électrique	3 câbles + terre

Caractéristiques électriques – 230/50/1

Tension/Hz/Phase	230V/50 Hz/Monophasé
Courant de fonctionnement	15,0
Courant de protection du circuit	20
Taille des câbles	12 AWG
Raccordement électrique	2 câbles + terre

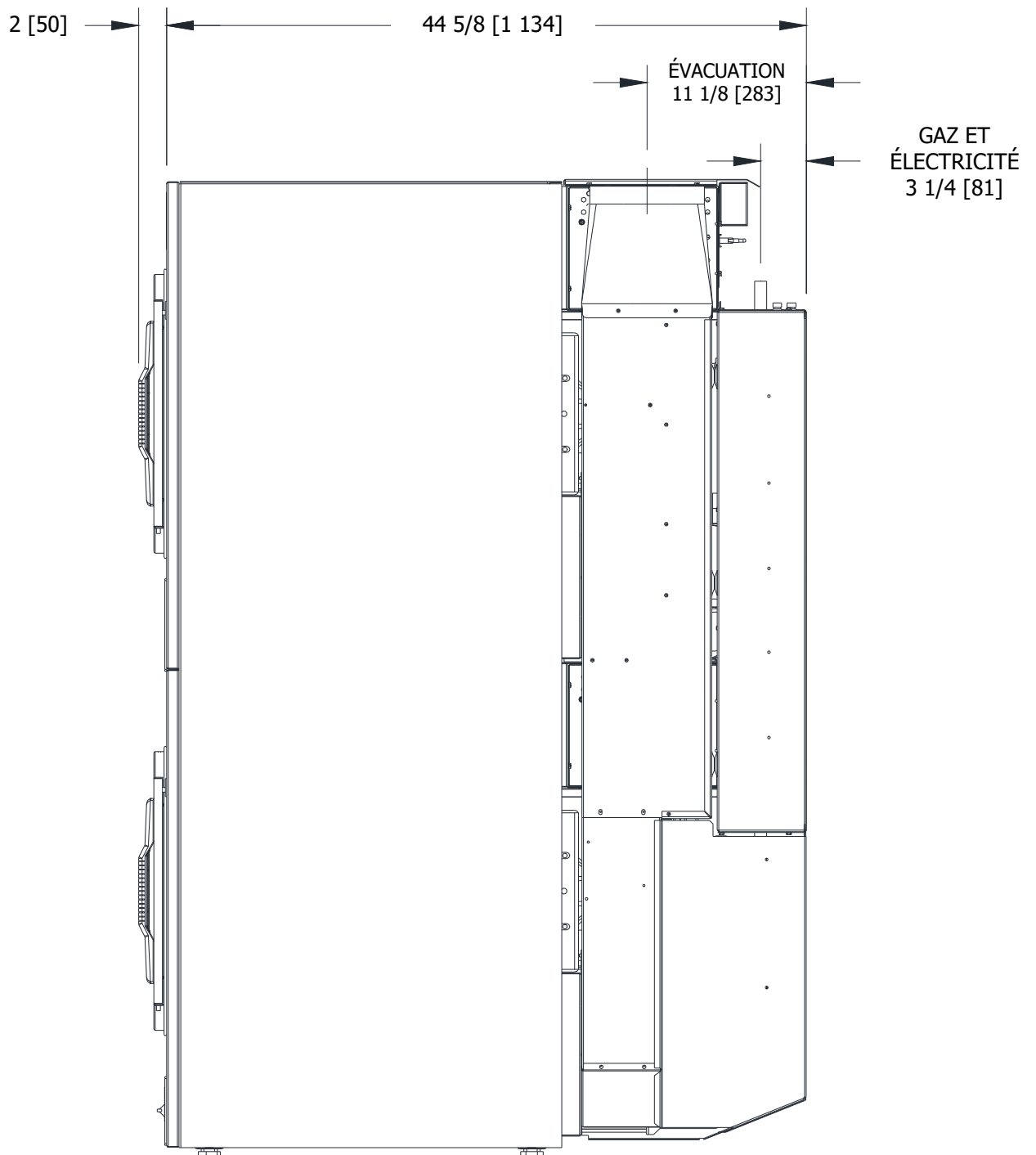
Poids d'expédition	917 lb	416 kg
Poids net	857 lb	389 kg
Écart min. derrière les machines	18 po	457 mm

DIMENSIONS DE LA SÈCHEUSE T-20X2 – VUE DE FACE



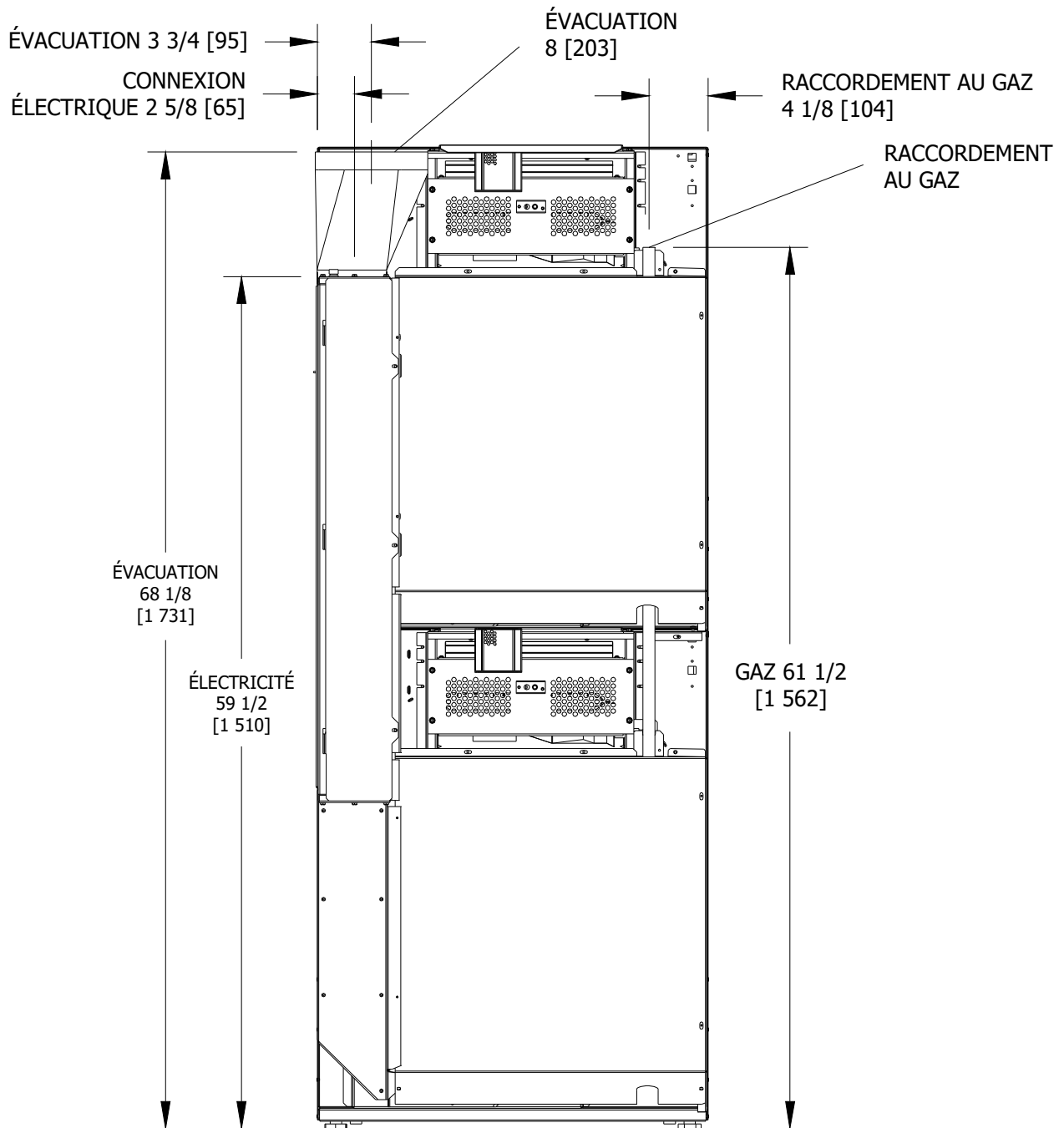
LES DIMENSIONS SONT EN POUCES [MILLIMÈTRES]

DIMENSIONS DE LA SÈCHEUSE T-20X2 – VUE DE CÔTÉ



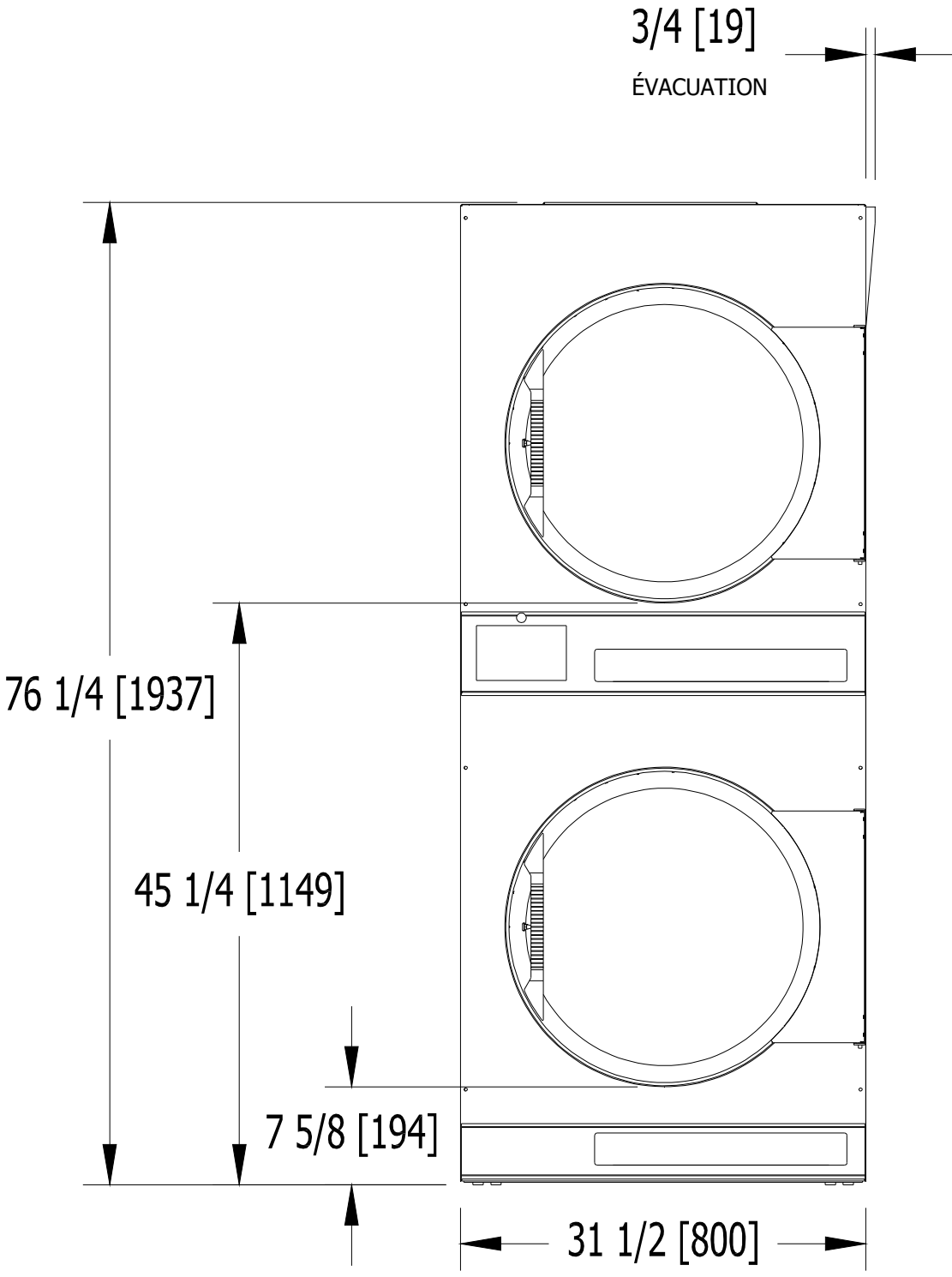
LES DIMENSIONS SONT EN POUÇES [MILLIMÈTRES]

DIMENSIONS DE LA SÈCHEUSE T-20X2 – VUE DE DERRIÈRE



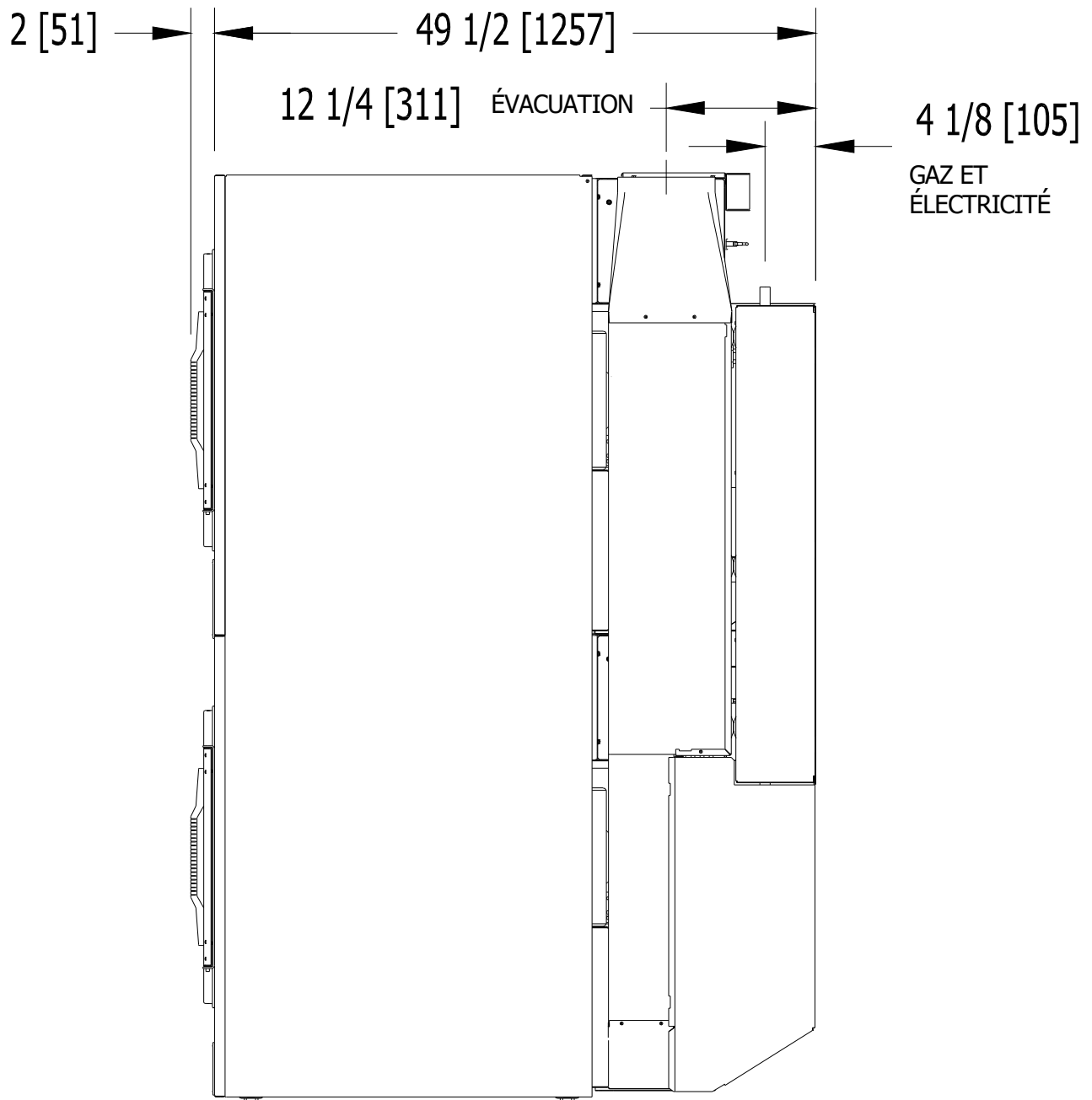
LES DIMENSIONS SONT EN POUÇES [MILLIMÈTRES]

DIMENSIONS DE LA SÉCHEUSE T-30X2 – VUE DE FACE



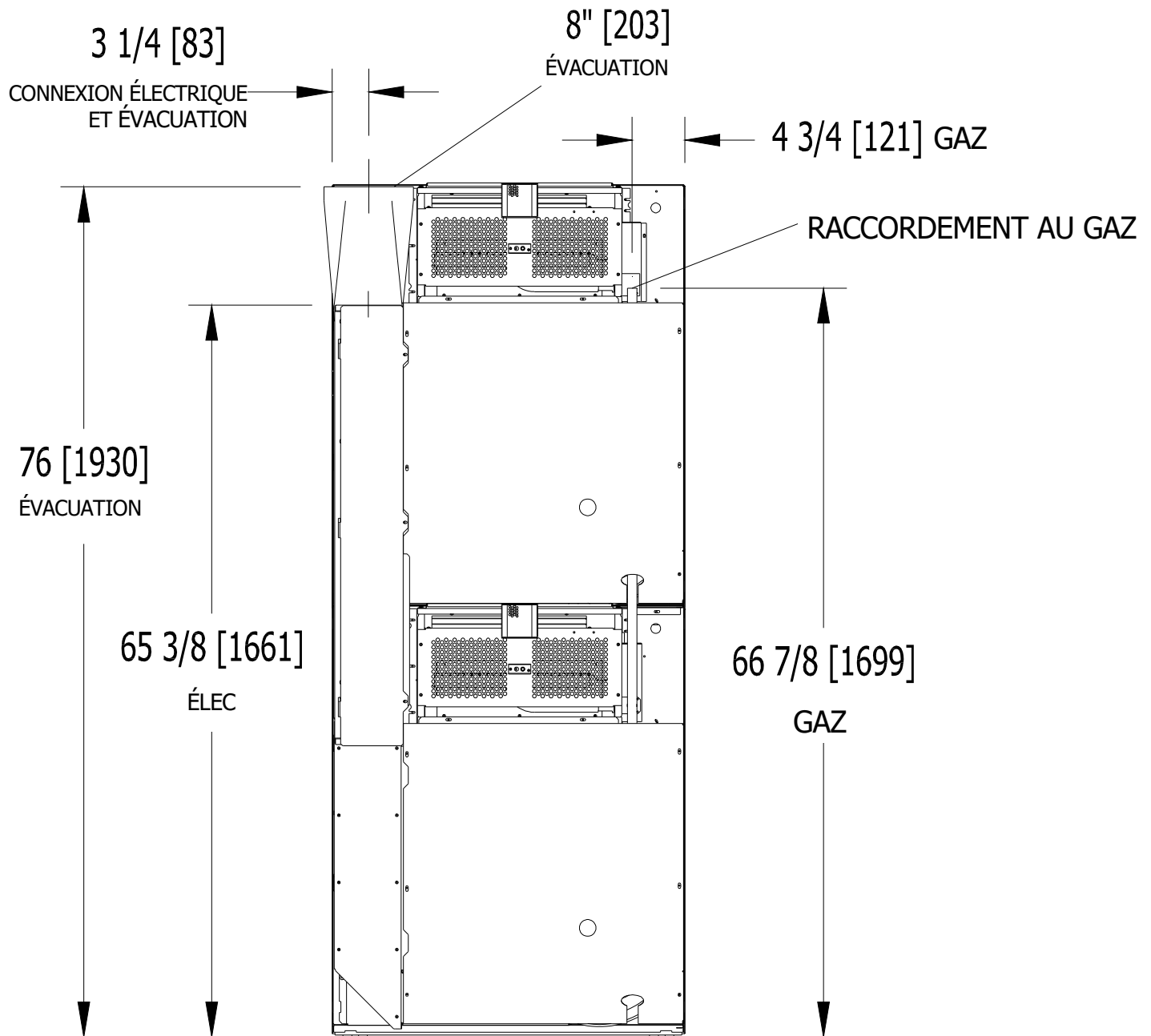
DIMENSIONS ARE IN INCHES [MILLIMETERS]

DIMENSIONS DE LA SÈCHEUSE T-30X2 – VUE DE CÔTÉ



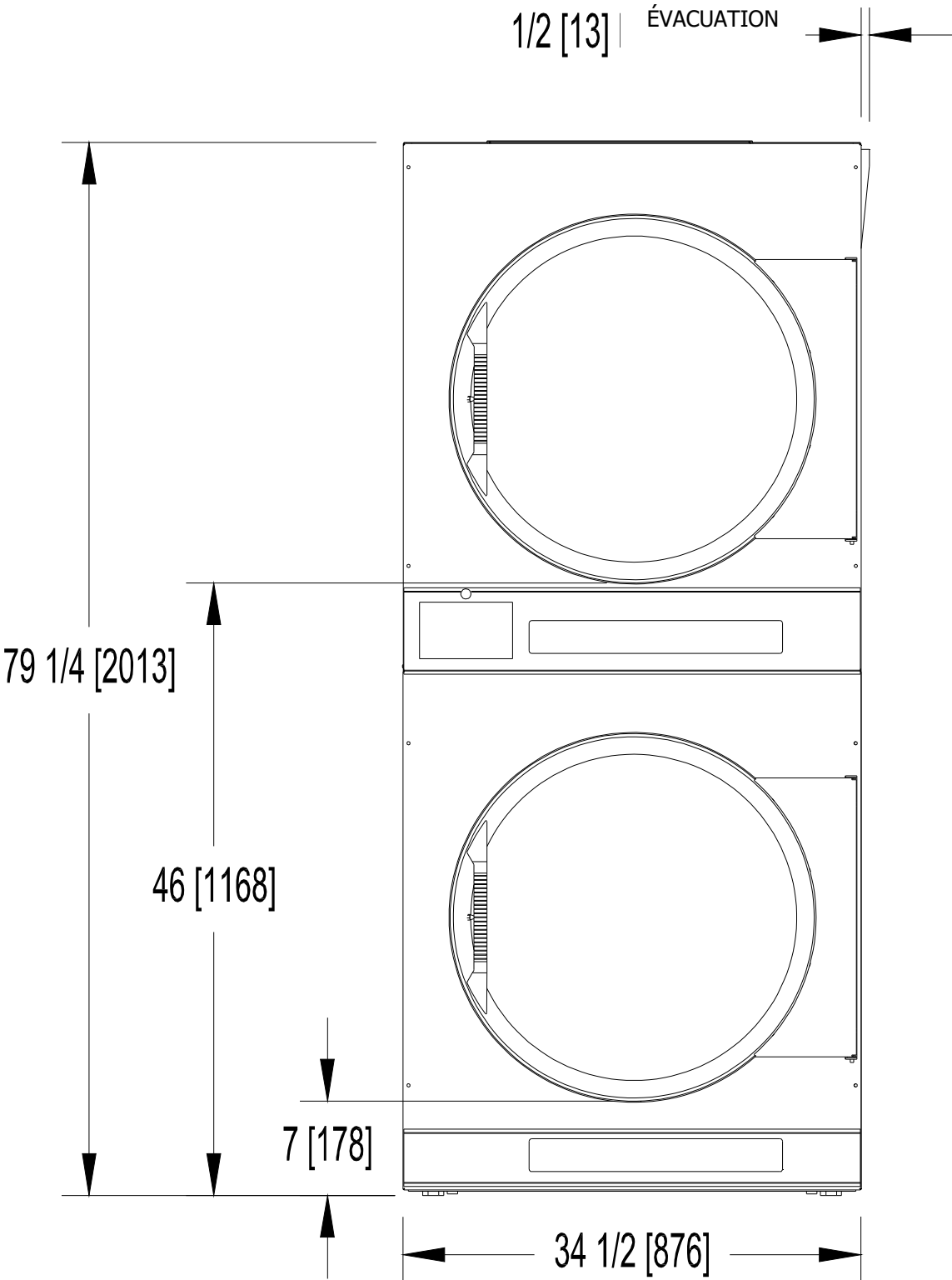
LES DIMENSIONS SONT EN POUCES (MILLIMÈTRES)

DIMENSIONS DE LA SÈCHEUSE T-30X2 – VUE DE DERRIÈRE



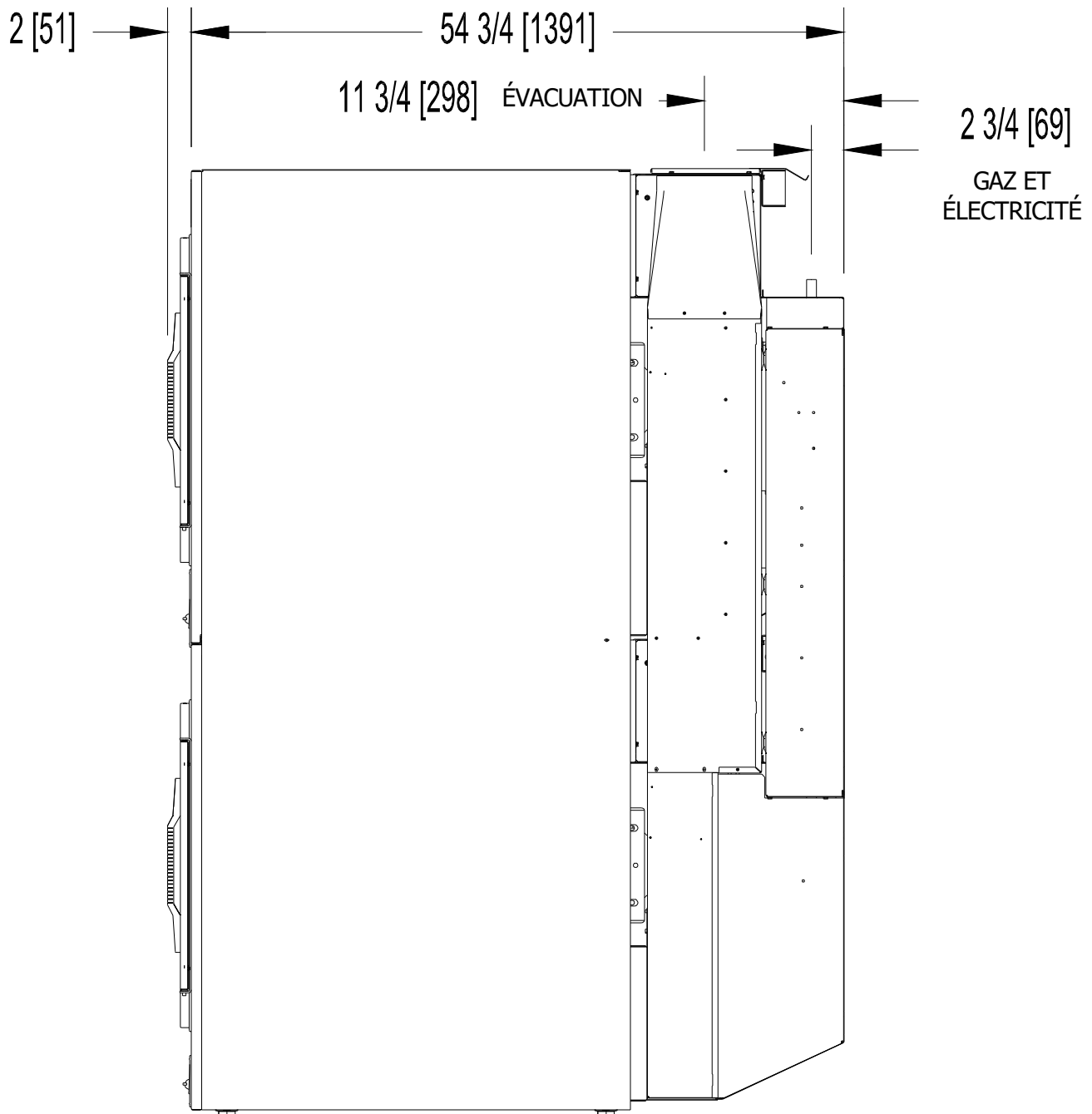
LES DIMENSIONS SONT EN POUCES (MILLIMÈTRES)

DIMENSIONS DE LA SÉCHEUSE T-50X2 – VUE DE FACE



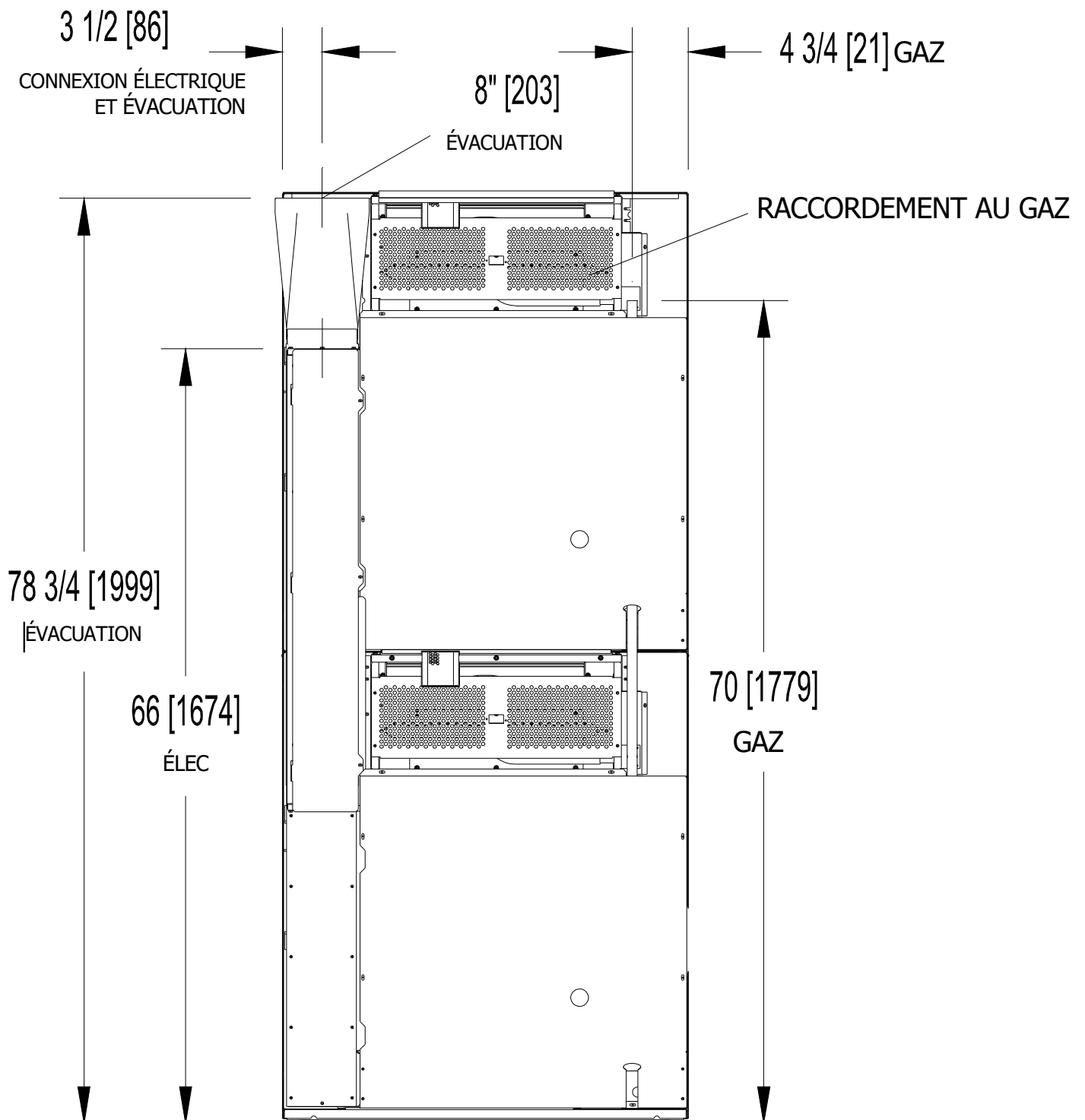
DIMENSIONS ARE IN INCHES [MILLIMETERS]

DIMENSIONS DE LA SÈCHEUSE T-50X2 – VUE DE CÔTÉ



LES DIMENSIONS SONT EN POUCES (MILLIMÈTRES)

DIMENSIONS DE LA SÈCHEUSE T-50X2 – VUE DE DERRIÈRE



LES DIMENSIONS SONT EN POUCES (MILLIMÈTRES)

INSTRUCTIONS D'INSTALLATION

DÉBALLAGE ET MISE EN PLACE DE LA SÉCHEUSE

Outils requis : Douille hexagonale de 3/4 po (19 mm) et clé à cliquet, bloc de bois de 4 po (100 mm) ou 5 po (125 mm) d'épaisseur, couteau et pince multiprise disposant d'une ouverture de 1 3/8 po (35 mm).

5. Retirez et jetez l'emballage.
6. La palette est fixée à la sécheuse à l'aide de quatre (4) vis à tête, serrées vers le haut depuis le dessous de la palette. Pour retirer la palette de la sécheuse, faites basculer la sécheuse sur le côté et placez le bloc de bois sous le rail de la palette, au centre de la sécheuse. À l'aide d'une clé à cliquet et d'une douille hexagonale de 3/4 po (19 mm), retirez et mettez de côté les deux (2) boulons d'emballage situés sur la partie latérale surélevée. Retirez le bloc du dessous de la palette. Répétez l'opération pour l'autre côté. Conservez les boulons afin de les réutiliser si la sécheuse doit être à nouveau déplacée.
7. Avec un mouvement de marche, déplacez la sécheuse pour la retirer complètement de la palette. Conservez la palette afin de la réutiliser si la sécheuse doit à nouveau être déplacée.
8. Faites glisser la machine jusqu'à l'emplacement où elle doit être installée. À l'aide de la pince multiprise, ajustez les pattes de mise à niveau afin d'aligner la sécheuse avec les unités adjacentes.

Remarque : Si la sécheuse doit être à nouveau déplacée, elle doit être remontée sur la palette et les boulons d'emballage doivent être réinsérés et serrés, dans l'ordre inverse des instructions ci-dessus.

INSTALLATION DE LA SÉCHEUSE

7. CONFORMITÉ AU CODE : Toutes les installations de sécheuses commerciales doivent se conformer aux codes locaux ou, en cas d'absence de ces derniers, à la dernière édition du National Fuel Gas Code ANSI Z223.1. Les installations canadiennes doivent se conformer au Code d'installation pour appareils fonctionnant à gaz et matériel connexe Standard CAN/CGA-B149 (.1 ou .2) en vigueur, ainsi qu'aux codes locaux, le cas échéant. Les installations australiennes doivent se conformer aux exigences d'installation et de taille de tuyaux du Code AS/NZA 5601. Une fois installée, la machine doit être raccordée à la terre en conformité avec la dernière édition du Code national de l'électricité, ANSI/NFPA70 ou, lorsqu'elle est installée au Canada, au Code électrique canadien Standard CSA C22.1, Partie 1.
8. ÉCARTS D'INSTALLATION : L'unité peut être installée dans une alcôve aux écarts suivants :
 - I. Côté gauche 0 po
 - II. Côté droit 0 po
 - III. Arrière 18 po (457 mm) (Certifié pour un écart de 1 po (25 mm); toutefois, un écart de 18 po (457 mm) est nécessaire à l'arrière afin de permettre l'entretien et la maintenance.)
 - IV. Avant 48 po (1 220 mm) (pour permettre l'utilisation de la sécheuse)
 - V. Dessus Consultez la figure intitulée « Dimensions d'écart vertical ».
AB. La certification permet un dégagement de 0 po (0 cm) pour la charpente murale du haut jusqu'à 18 po (456 mm) à l'arrière de l'avant.
Toutefois, il est nécessaire de laisser un écart de 1/4 po (6 mm) afin de pouvoir déplacer la sécheuse.
C. Un écart de 10 po (250 mm) est nécessaire au-dessus à tous les autres points.
 - VI. Plancher Cet appareil peut être installé sur un plancher combustible.

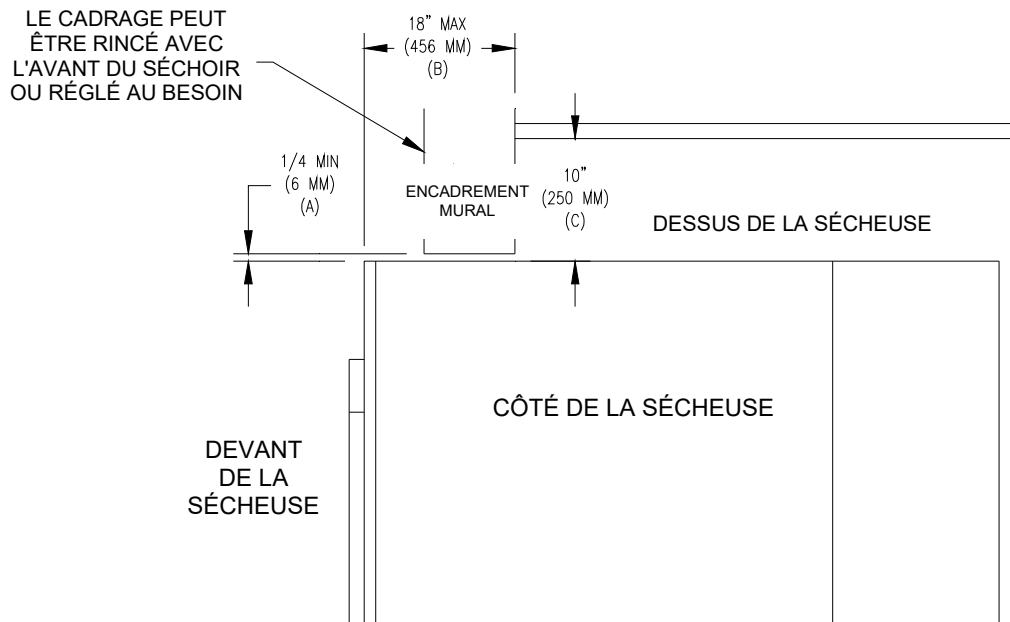
N'obstruez pas le flux de combustion et d'air de ventilation.

Maintenez un écart minimum de 1 po (25 mm) entre le tuyau et le matériau combustible.

Consultez l'étiquette apposée sur la protection arrière de la sécheuse pour plus de renseignements d'installation et d'instructions de démarrage.

9. AIR D'APPOINT : Un air d'appoint adéquat doit être fourni afin de remplacer l'air évacué par les sécheuses sur tous les types d'installations. Consultez les spécifications pour connaître l'ouverture minimum d'air d'appoint vers l'extérieur requise pour chaque sécheuse. C'est une exigence nette de surface effective. Les filtres, grilles ou persiennes qui restreindront le débit d'air doivent être pris en considération. Consultez le fournisseur afin de déterminer la surface libre équivalente pour la grille utilisée. La source d'air d'appoint

doit être située à distance suffisante des sècheuses afin de permettre un débit d'air homogène vers les entrées d'air de toutes les sècheuses. Plusieurs ouvertures doivent être fournies.



DIMENSIONS DE L'ESPACE VERTICAL

Les sources d'air d'appoint et de circulation d'air de ventilation de la pièce vers toutes les sècheuses doivent être situées à distance de tous les nettoyeurs à sec. Cela est nécessaire afin que les vapeurs de solvants ne soient pas aspirées dans les conduits d'entrée de la sècheuse. Les vapeurs de solvants des nettoyeurs à sec se décomposeront en contact avec une flamme nue telle que la flamme de gaz des sècheuses à vêtements. Les produits de décomposition sont hautement corrosifs et endommageront les conduits des sècheuses et les brassées de vêtements.

10. **EXIGENCES ÉLECTRIQUES :** Les exigences électriques, nécessaires pour faire fonctionner l'unité de manière satisfaisante, sont énumérées sur la plaque signalétique située sur le panneau arrière de chaque sècheuse et dans la section Caractéristiques techniques de ce manuel. Le raccordement électrique doit être fait au bornier, à l'arrière de l'unité. Il est absolument nécessaire de mettre la sècheuse à la terre en la raccordant à une terre connue. Un disjoncteur individuel est nécessaire pour chaque sècheuse superposée. Les modèles de sècheuse -15 sont configurés en 120 V avant leur expédition. Ils peuvent être convertis en 208-240 V selon les besoins. Les instructions pour effectuer cette conversion se trouvent à la fin de ce manuel.

IMPORTANT : SUPPRESSEURS DE SURTENSION TRANSITOIRE

Comme la plupart des appareils électriques, votre nouvelle machine peut être endommagée ou sa durée de vie écourtée par des surtensions dues à des éclairs, qui ne sont pas couvertes par la garantie d'usine. Les problèmes de distribution électrique locaux peuvent également avoir un effet néfaste sur la durée de vie des composants électriques. Nous conseillons l'installation de supresseurs de surtension transitoire pour votre nouvelle machine. Ces dispositifs peuvent être placés au panneau d'alimentation électrique pour l'ensemble de l'installation et ne nécessitent pas de dispositif individuel pour chaque machine.

Ces dispositifs antisurtension permettent de protéger la machine contre les grands pics de tension, ainsi que les petits pics qui se produisent quotidiennement. Ces plus petites surtensions peuvent réduire la durée de vie générale des composants électriques et causer une défaillance ultérieure. Bien qu'ils ne puissent pas protéger contre tous les événements, ces dispositifs de protection ont une bonne réputation pour rallonger significativement la durée de vie utile des composants électriques. Les composants électriques ont tendance à disposer d'une plus longue durée de vie utile lorsqu'ils sont alimentés par une source électrique stable et propre.

Ci-joint les noms et les numéros de téléphone de quelques fournisseurs de tels dispositifs pour ceux qui ne disposent pas actuellement d'une source.

<u>FABRICANT</u>	<u>CONTACT</u>	<u>TÉLÉPHONE</u>
Innovative Technology, Inc	Usine	1-800-647-8877 ou www.itvss.com
EFI Electronics Corporation	Usine Distributeur – Surge Pro	1-800-877-1174 ou www.efinet.com 1-877-233-0153
MCG Surge Protection	Usine	1-800-851-1508 ou www.mcgsurge.com
Advanced Protection Technologies Inc.	Usine	1-800-237-4567 ou info@apttvss.com

11. EXIGENCES DE GAZ : Les exigences de gaz complètes, nécessaires pour faire fonctionner la sécheuse de manière satisfaisante, sont énumérées sur la plaque signalétique située sur le panneau arrière de la sécheuse et dans la section Caractéristiques techniques de ce manuel. Le raccord d'alimentation en gaz de l'unité dispose d'un filetage de 1/2 po (12,7 mm). Toutefois, la taille du tuyau d'alimentation de la sécheuse doit être déterminée conformément au National Fuel Gas Code ANSI Z223.1A et aux recommandations du fournisseur de gaz local.

Il est conseillé d'installer un robinet d'arrêt de gaz individuel pour chaque sécheuse, ce qui peut être requis par le Code local (non fourni).

Un mastic de jointement résistant à l'action des gaz de pétrole liquéfiés doit être utilisé pour effectuer les raccords de tuyau.

Tous les raccords de tuyaux doivent être vérifiés avec une solution savonneuse pour s'assurer qu'ils ne fuient pas. Ne vérifiez jamais avec une flamme nue.

Un té de purge doit être installé sur la tuyauterie de gaz entrant dans l'unité afin de piéger la saleté et les autres matériaux étrangers.

Un port de test fileté NPT de 1/8 po (3,2 mm) accessible pour le raccord de test de jauge doit être installé immédiatement en amont du raccord d'alimentation de gaz à la sécheuse pour vérifier la pression d'alimentation. Testez et réglez la pression d'alimentation pour garantir la conformité avec la spécification indiquée sur la plaque signalétique.

La pression d'alimentation de gaz naturel conseillée est de 7 pouces de colonne d'eau (17,8 cm) à chaque sécheuse.

Un port de test fileté NPT de 1/8 po (3,2 mm) est connecté à l'extrémité du collecteur du brûleur pour en vérifier la pression. Vérifiez et réglez la soupape de régulation de gaz de la sécheuse lorsque le brûleur est en marche, afin de garantir la conformité avec la spécification de la pression du collecteur indiquée sur la plaque signalétique.

Après le test, veillez à remettre les bouchons NPT de 1/8 po (3,2 mm) sur le collecteur et au port de test des conduites d'alimentation à l'aide d'un mastic à joint avant d'utiliser la sécheuse.

Pour les altitudes supérieures à 2 000 pieds (610 m), il est nécessaire de réduire l'entrée BTU. Communiquez avec votre distributeur local pour obtenir des instructions.

Des trousse de conversion GPL sont disponibles pour cette sécheuse. Communiquez avec votre distributeur local.

MISE EN GARDE : La sécheuse doit être déconnectée du système de tuyauterie d'alimentation de gaz lors de tout essai de pression de ce système. N'exposez pas la valve de contrôle de gaz de la sécheuse à la pression d'essai.

12. INSTALLATION DE L'ÉVACUATION : (Voir Figure 3) L'évacuation des sècheuses doit être planifiée et fabriquée de manière à éviter toutes restrictions d'air. Toute restriction due à la taille des tuyaux ou au type d'installation peut causer des temps de séchage allongés, une chaleur excessive et la présence de charpie dans la pièce.

D'un point de vue opérationnel, une évacuation incorrecte ou inadéquate peut causer la fermeture du thermostat de limite supérieure, entraînant la fermeture des brûleurs principaux et un séchage inefficace.

Le raccord du tuyau d'évacuation près du dessus du séchoir est conçu pour un tuyau rond de 8 po (200 mm). Il est conseillé d'installer une évacuation individuelle pour chaque sècheuse. Toute la chaleur, l'humidité et les charpies doivent être évacuées vers l'extérieur en raccordant un tuyau du bon diamètre aux colliers adaptateurs de la sècheuse et en le faisant passer à travers un mur donnant sur l'extérieur. Ce tuyau doit être lisse à l'intérieur, car les surfaces rugueuses ont tendance à amasser les charpies, ce qui finit par boucher le conduit et empêche l'évacuation adéquate de la sècheuse. Tous les coudes doivent être lisses à l'intérieur. Tous les joints doivent être réalisés de manière à ce que l'évacuation d'un tuyau soit à l'intérieur du tuyau suivant en aval. L'ajout d'un tuyau d'évacuation a tendance à réduire la quantité d'air pouvant être évacuée par le ventilateur. Cela n'a pas d'effet néfaste sur le fonctionnement de la sècheuse si l'on reste dans les limites pratiques. Pour un fonctionnement optimal, il est conseillé d'utiliser au maximum 14 pi (4,25 m) de tuyau droit de 8 po de diamètre et deux coudes à angle droit pour chaque cylindre.

Maintenez un écart minimum de 1 po (25 mm) entre le tuyau et le matériau combustible.

Si le tuyau d'évacuation passe à travers un mur, un manchon métallique d'un diamètre légèrement plus grand doit être installé dans le mur et le tuyau d'évacuation doit passer à travers ce manchon. Cette pratique est requise par certains codes locaux et est conseillée dans tous les cas afin de protéger le mur.

Ce type d'installation doit prévoir un moyen d'empêcher la pluie et les vents forts d'entrer dans l'évacuation lorsque la sècheuse n'est pas en fonctionnement. Un capot muni d'une charnière à ressort peut être utilisé à cette fin. Une autre méthode consiste à orienter la sortie du tuyau vers le bas afin d'empêcher l'entrée de pluie ou de vent. Dans tous les cas, la sortie doit être libre, à une distance minimale de 24 po (610 mm), de tout objet qui pourrait causer une restriction d'air.

N'installez jamais de filtre de protection sur la sortie de l'évacuation.

Lors de l'évacuation directe d'une sècheuse vers le haut à travers le toit, la longueur totale du conduit est soumise aux mêmes limites qu'une évacuation à travers un mur. Un capuchon pare-pluie doit être placé au sommet de l'évacuation et ne doit pas être sujet à des obstructions. L'utilisation d'un « toit » conique au sommet du tuyau convient à cette application.

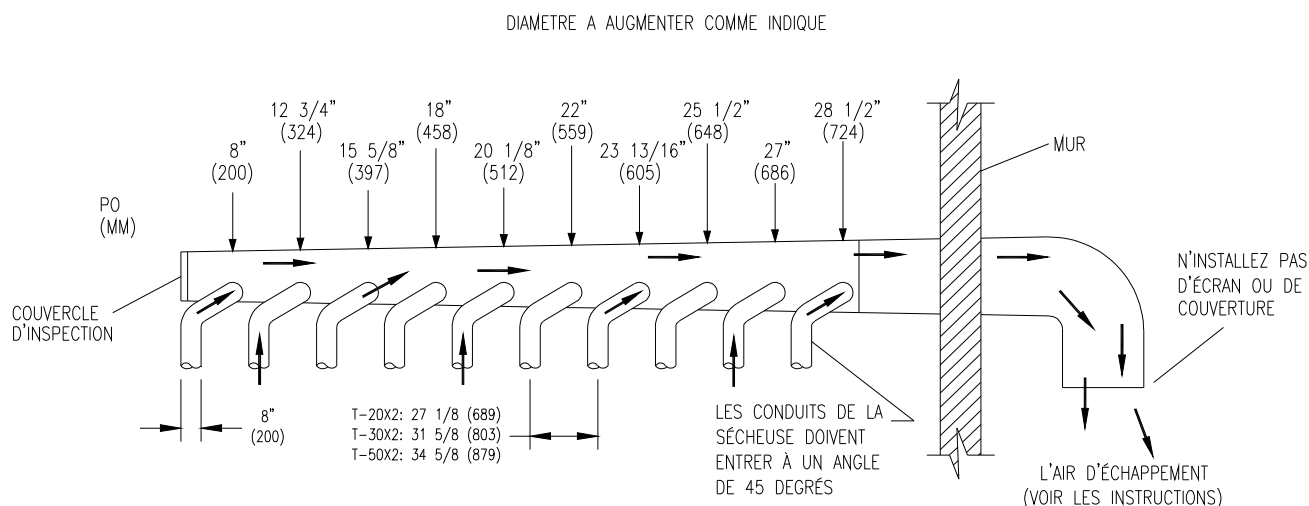
L'évacuation de la sècheuse dans une cheminée ou sous un bâtiment n'est pas permise. Dans les deux cas, il existe un danger d'accumulation de charpies qui peuvent être hautement combustibles.

L'installation de plusieurs sècheuses, pour lequel un conduit d'élimination principal est nécessaire, devra prendre en considération les éléments suivants (voir Figure 3). Les conduits d'évacuation individuels de 8 po (200 mm) de chaque sècheuse doivent entrer dans le conduit d'évacuation principal à un angle de 45 degrés, dans la direction du flux d'air d'évacuation.

REMARQUE : N'installez jamais les conduits individuels à un angle droit avec le conduit d'élimination principal. Les conduits individuels des sècheuses peuvent entrer sur les côtés ou au-dessous du conduit d'élimination principal. La Figure 3 indique les divers diamètres des conduits principaux ronds à utiliser pour les conduits d'évacuation individuels. Le conduit principal peut être rectangulaire ou rond, pourvu qu'il permette un débit d'air adéquat. L'évacuation totale (conduit d'élimination principal plus conduit de sortie de la sècheuse) ne doit pas excéder l'équivalent de 14 pi (4,25 m) et deux coudes. Le diamètre du conduit d'élimination principal à la dernière sècheuse doit être maintenu jusqu'à l'extrémité de l'évacuation.

REMARQUE : Un conduit de faible diamètre entraînera une restriction du débit d'air, un conduit de grand diamètre réduira la vitesse de l'air, ce qui contribuera dans les deux cas à une accumulation de charpies. Une porte d'inspection doit être fournie pour le nettoyage périodique du conduit principal.

REMARQUE : La CONTRE-PRESSION STATIQUE maximum doit être de 0,3 po de colonne d'eau (7,6 mm de colonne d'eau) à la sortie arrière de l'évacuation de la sécheuse. Si plusieurs sécheuses sont raccordées au conduit commun, assurez-vous de l'installation correcte du registre antirefoulement.



9. ALLUMAGE DE LA SÉCHEUSE (ALLUMAGE TRANSISTORISÉ) : Le système d'allumage transistorisé enflamme le gaz du brûleur principal à l'aide d'étincelles. Le gaz s'enflamme et brûle uniquement lorsque le relais de gaz (situé dans le contrôleur électronique) fait un appel de chaleur. Pour démarrer une sécheuse pour la première fois, procédez comme suit :

- i. Premièrement, lisez et suivez les « Avertissements relatifs à l'utilisation et au fonctionnement » situés à l'intérieur de la couverture de ce manuel. Assurez-vous que l'alimentation électrique est correctement raccordée. La sécheuse doit être correctement mise à la terre.
- ii. Assurez-vous que toutes les conduites d'alimentation de gaz sont purgées d'air. Fermez le robinet de gaz principal et attendez cinq minutes avant de le rouvrir.
- iii. Ouvrez l'interrupteur électrique principal. La sécheuse doit être démarrée à l'aide de la « NOTICE D'UTILISATION » qui se trouve dans la suite de ce manuel.
- iv. Les sécheuses à gaz naturel et à gaz de pétrole liquéfié fonctionnent de la même manière. Lorsque les contacts du relais du robinet de gaz sont fermés (ce qui indique un appel de chaleur), la commande d'allumage transistorisé alimente automatiquement en électricité le robinet de gaz redondant. Les étincelles continuent jusqu'à ce qu'une flamme soit détectée par le capteur, mais pas plus de 10 secondes. Si le gaz ne s'enflamme pas au bout de 10 secondes, le robinet de gaz se ferme et le système de gaz s'arrête pour purger le gaz de la partie intérieure de la sécheuse. Après la pause, la commande d'allumage répète le cycle d'essai d'allumage à deux autres reprises. Si le système de gaz ne détecte aucun allumage après les trois tentatives, le système est « verrouillé ». Aucune tentative supplémentaire ne sera effectuée de manière automatique. Vous devez débrancher la commande d'allumage de l'alimentation électrique pour la réinitialiser. Pour ce faire, ouvrez la porte de la sécheuse (celle-ci s'arrête) pendant 15 secondes. Fermez la porte et appuyez sur le bouton « Start » pour répéter le cycle d'essai d'allumage.

10. RÉGLAGE DU BRÛLEUR PRINCIPAL : Vous devez régler correctement l'obturateur d'air de chaque brûleur principal pour obtenir un rapport air/gaz approprié. Desserrez la vis de blocage de l'obturateur. Réglez l'obturateur en le fermant suffisamment pour donner une flamme bleue avec un bout jaune. Ouvrez ensuite l'obturateur jusqu'à ce

que les bouts jaunes soient réduits au minimum. Après le réglage, fixez solidement chaque obturateur en serrant les vis de blocage.

ARRÊT DE LA SÈCHEUSE

Pour mettre la sècheuse hors service, fermez le robinet de gaz principal et débranchez l'alimentation électrique de la sècheuse.

DESCRIPTION DES COMMANDES DE LA SÈCHEUSE

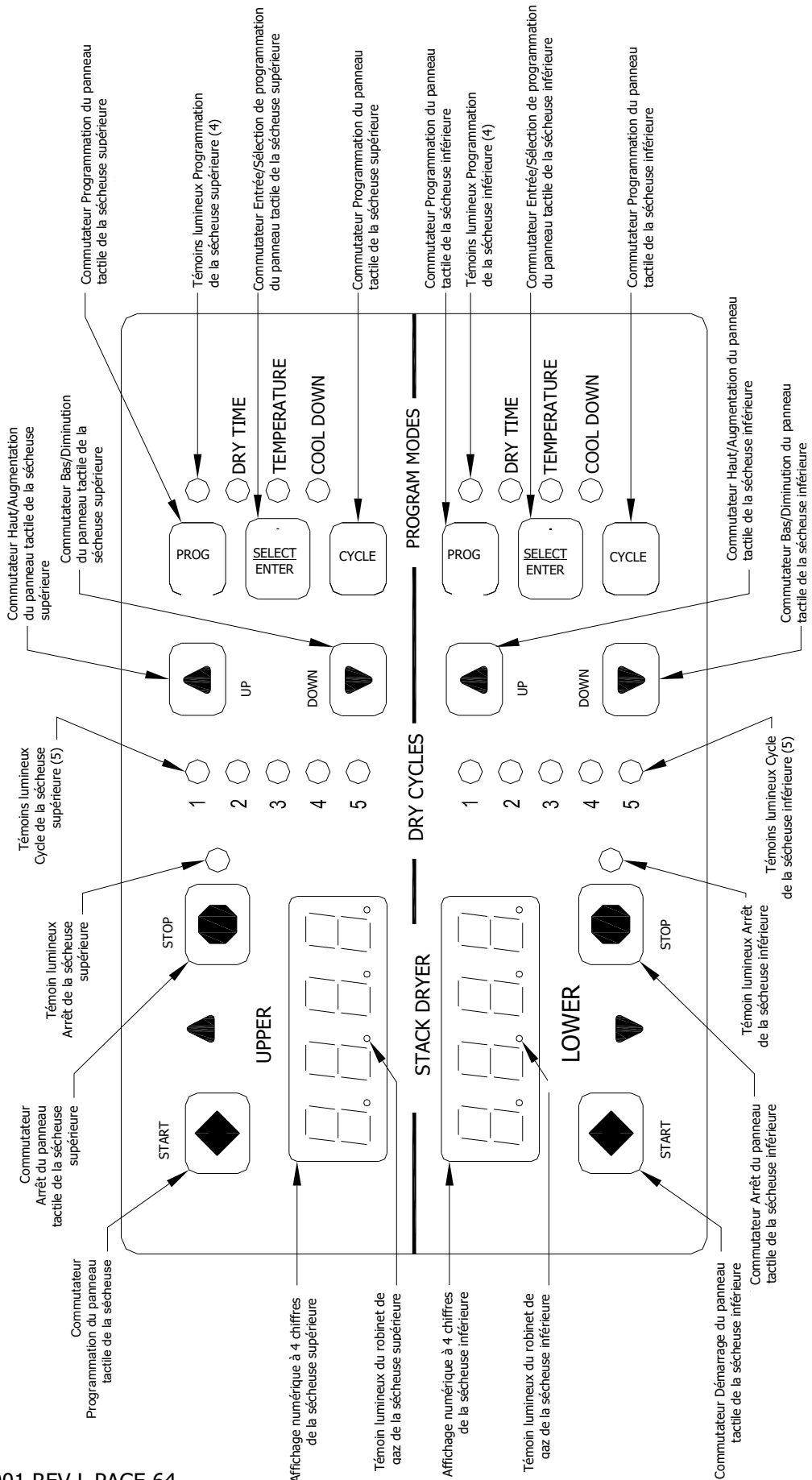


Figure 4 : Interface de commande de sècheuse non

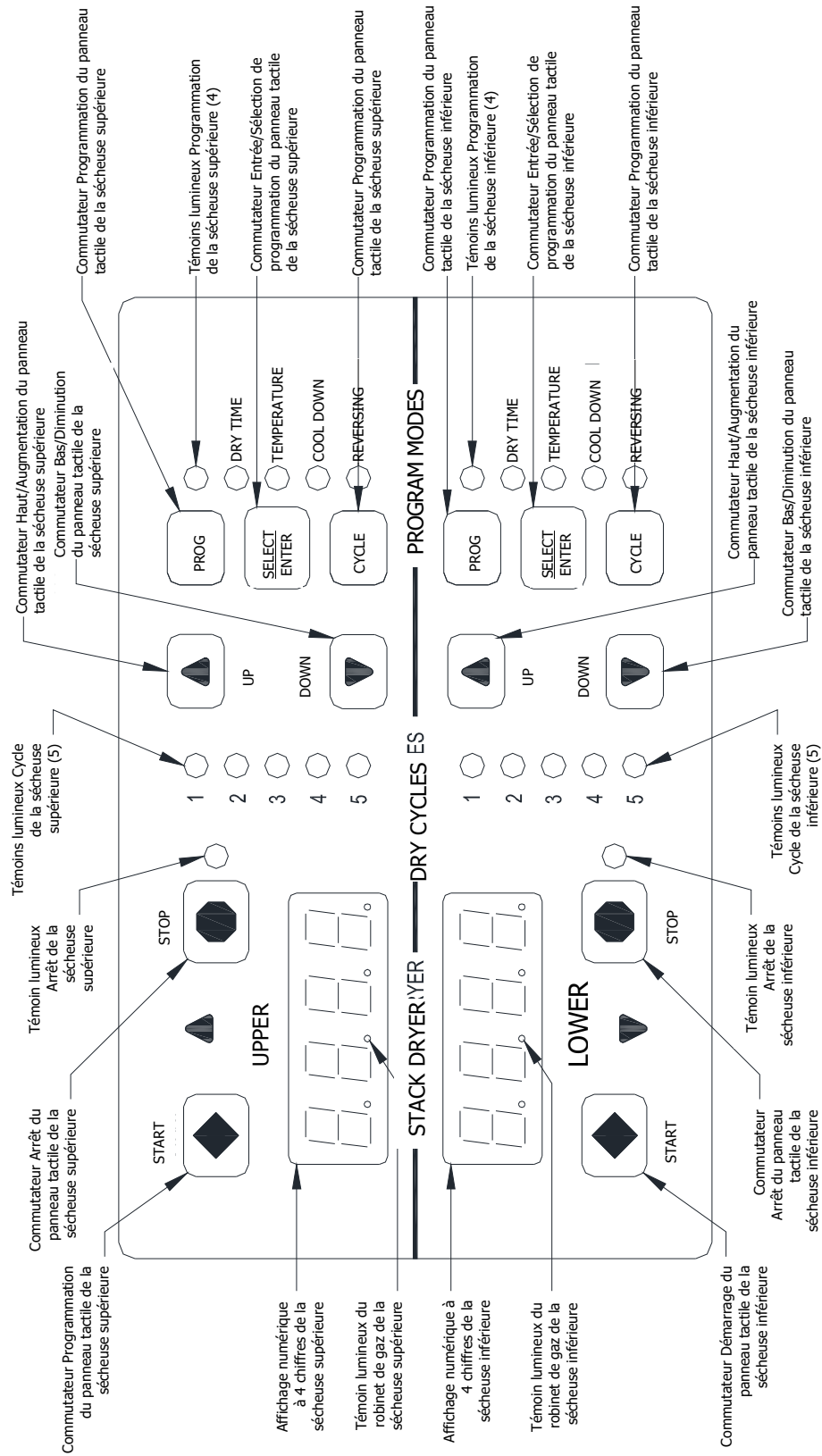


FIGURE 4 : COMMANDES DE SÈCHEUSE RÉVERSIBLE

PARAMÈTRES DE PROGRAMMATION PAR DÉFAUT D'USINE DE LA COMMANDE DE LA SÈCHEUSE

CYCLE DE SÈCHAGE	TEMPS DE REFROIDISSEMENT (MINUTES)	TEMPS DE CYCLE TOTAL (MINUTES)	TEMPÉRATURE DE SÈCHAGE		CHARGE DE LA SÈCHEUSE
			(°F)	(°C)	
1	5	35	180	82	Serviettes, compresses, coton épais
2	2	20	170	77	Draps, tissus mélangés
3	5	25	180	82	Coton
4	2	20	130	54	Tissus synthétiques
5	2	25	175	79	Tissus mélangés

CODES DE DÉFAILLANCE DE LA SÈCHEUSE

NUMÉRO DE DÉFAILLANCE	DESCRIPTION DE LA DÉFAILLANCE	ACTION
F1	Capteur de température court-circuité.	La sècheuse s'arrête et « F1 » clignote sur l'écran à 4 chiffres. Lorsque le court-circuit à l'entrée du capteur est retiré, « LOAd » s'affiche sur l'écran à 4 chiffres et le temps de séchage restant est réinitialisé.
F2	Capteur de température ouvert.	La sècheuse s'arrête et « F2 » clignote sur l'écran à 4 chiffres. Lorsqu'un bon capteur est raccordé à l'entrée du capteur, « LOAd » s'affiche sur l'écran à 4 chiffres et le temps de séchage restant est réinitialisé.
F3	EEPROM corrompu.	La sècheuse ne démarre pas et « F3 » s'affiche sur l'écran à 4 chiffres. Il faut couper et rebrancher l'alimentation de la sècheuse pour réinitialiser la commande. La défaillance ne devrait se produire que lors du démarrage d'un cycle de séchage.
F4	Défaillance de robinet de gaz ouvert.	La température de séchage n'a pas augmenté de 1 °F en 15 minutes. « F4 » clignote sur l'écran et le cycle de séchage se termine sans appel de chaleur (activation du robinet de gaz). L'ouverture de la porte ou l'appui de la touche STOP réinitialise la défaillance et supprime le temps restant du cycle de séchage.
F5	Défaillance de température.	La température de séchage est supérieure d'au moins 25 °F à la température définie. « F5 » clignote sur l'écran à 4 chiffres et le cycle de séchage se termine sans appel de chaleur (activation du robinet de gaz). Il faut couper et rebrancher l'alimentation de la sècheuse pour réinitialiser la commande.

DESCRIPTION DU PANNEAU TACTILE

TÉMOINS LUMINEUX (DÉL)

Description

Cycle (1 à 5)	Ces DÉL sont allumées fixes lorsqu'un cycle particulier est choisi en fonctionnement ou en programmation.
Robinet de gaz	Cette DÉL fait partie de l'affichage numérique à 4 chiffres et s'allume fixe lors de la partie séchage d'un cycle lorsque le robinet de gaz n'a <u>pas</u> besoin d'être ouvert. Elle clignote lorsque le robinet de gaz doit être ouvert et ne va <u>pas</u> s'allumer ni clignoter (éteinte) si le cycle est arrêté, terminé, en refroidissement ou annulé.
Programmation	Ces DÉL sont allumées fixes lorsqu'elles sont sélectionnées durant la programmation de la commande de la sècheuse.
Stop	Cette DÉL est allumée fixe lorsque le bouton STOP est appuyé une fois ou lorsque la porte est ouverte durant le cycle de fonctionnement.

COMMUTATEURS (Boutons-poussoirs)

Description



UP

Haut/Augmentation

Ce commutateur du panneau tactile augmente le temps de séchage, le temps de refroidissement et la température de séchage par incréments. Il permet également de faire défiler vers le haut lors de la sélection du cycle de séchage.



DOWN

Bas/Diminution

Ce commutateur du panneau tactile réduit le temps de séchage, le temps de refroidissement et la température de séchage par incréments. Il permet également d'effectuer un défilement vers le bas lors de la sélection du cycle de séchage.



Programme

Ce commutateur du panneau tactile permet à la commande de la sècheuse de passer en mode de programmation permanente.



Sélection/Entrée

Ce commutateur du panneau tactile sélectionne l'une des trois parties variables du cycle de séchage (temps de séchage, température ou refroidissement) en les faisant défiler. Une fois l'une des parties variables du cycle de séchage sélectionnée et modifiée, ce commutateur du panneau tactile permet de valider la nouvelle valeur (modifiée) dans le programme du cycle de séchage.

COMMUTATEURS (Boutons-poussoirs) - suite

Description



Cycle

Ce commutateur du panneau tactile permet à la commande de la sécheuse de passer en mode de programmation temporaire.



Arrêt

Ce commutateur du panneau tactile arrête la sécheuse durant un cycle de séchage sans effacer le cycle de séchage présent s'il est pressé une fois. S'il est pressé et relâché deux fois consécutives, le cycle de séchage présent est effacé.



Marche

Ce commutateur de panneau tactile démarre le fonctionnement d'un cycle de séchage s'il est pressé et relâché une fois. Appuyez longuement sur ce commutateur du panneau tactile pour afficher la température actuelle du capteur de température de la sécheuse tant qu'il est en position enfoncée.

MESSAGES DE L’AFFICHAGE NUMÉRIQUE À 4 CHIFFRES

<u>Message</u>	<u>Description</u>
LOAd	Ce message s’affiche une fois un cycle de séchage terminé et la porte de chargement de la sécheuse ouverte ou lorsque la touche STOP du panneau tactile de la commande de la sécheuse est enfoncée et relâchée deux fois.
donE	Ce message clignote immédiatement après la fin du cycle de séchage et continue de clignoter jusqu’à ce que la touche d’arrêt du panneau tactile de la commande de la sécheuse soit enfoncée ou que la porte de chargement de la sécheuse soit ouverte.
Prog	Ce message s’affiche lors de l’entrée en mode de programmation permanente.
.15	Ce message s’affiche lorsque la sécheuse est dans la partie chauffage d’un cycle de séchage. Le point décimal clignote, si la sortie du robinet de gaz est ouverte ou reste allumé fixe, si la sortie du robinet de gaz n’est pas ouverte. Le nombre représente le temps total restant dans le cycle de séchage (y compris le temps de refroidissement).
C02	Ce message s’affiche lorsque le temps de refroidissement du cycle de séchage est atteint. La lettre « C » représente la partie refroidissement (non-chauffage) du cycle de séchage. Le ou les nombres après la lettre « C » représentent le temps total restant dans le cycle de séchage.
F5	Ce message s’affiche en cas de défaillance de la sécheuse. La lettre « F » indique une défaillance et le numéro après la lettre « F » représente la défaillance particulière qui s’est produite. Cinq différentes défaillances peuvent s’afficher (F1 à F5).

NOTICE D'UTILISATION

Pour sécher une charge d'articles, vous devez choisir l'un des cinq cycles de séchage programmés. Chacun de ces cinq cycles de séchage peut être modifié de deux différentes manières selon votre charge. Veuillez consulter les sections « Programmation permanente de la commande de la sécheuse » et « Programmation temporaire de la commande de la sécheuse » de ce manuel.

Chaque cycle de séchage est composé de deux parties. La première partie est le temps de chauffage, durant laquelle le robinet de gaz s'allume et s'éteint selon la température définie dans le programme du cycle de séchage. La deuxième partie est le temps de refroidissement, qui suit la partie chauffage du cycle de séchage, et durant laquelle le cylindre continue de tourner, mais sans chauffage.

Il y a toujours au moins deux minutes de refroidissement pour chaque cycle de séchage. La durée maximale autorisée pour le temps de refroidissement est de 60 minutes.

Durant un cycle de séchage réversible, le tambour tourne dans une direction pendant une minute, ralentit pendant 4 secondes, puis tourne dans la direction opposée pendant une minute. Ce motif se répète pendant la durée du cycle de séchage. Pour modifier le temps d'inversion, l'affichage numérique à 4 chiffres doit afficher « LOAd ». Appuyez ensuite longuement sur le commutateur **SELECT/ENTER** du panneau tactile, puis sur le commutateur **UP** du panneau tactile, pour régler le temps à deux minutes ou sur le commutateur **DOWN** du panneau tactile, pour régler le temps à une minute. La sonnerie retentit alors pour indiquer que la modification a été prise en compte. La modification est conservée même si l'alimentation est débranchée. La valeur par défaut d'usine est d'une minute.

Les valeurs par défaut des cinq cycles de séchage sont indiquées dans le tableau « PARAMÈTRES DE PROGRAMMATION PAR DÉFAUT D'USINE DE LA COMMANDE DE LA SÈCHEUSE » de ce manuel.

Pour améliorer les capacités de séchage de cette sécheuse, vous devez toujours séparer (démêler) les articles individuels de votre charge avant de l'utiliser.

Dans les instructions étape par étape suivantes, le texte sur l'affichage numérique à 4 chiffres est indiqué entre « guillemets » et les touches du panneau tactile de la commande de la sécheuse qui doivent être physiquement enfoncées seront en **MAJUSCULES ET CARACTÈRES GRAS**.

- 4) Placez votre charge démêlée dans le cylindre de la sécheuse et fermez la porte de chargement de la sécheuse. Notez que l'affichage numérique à 4 chiffres de la commande de la sécheuse doit maintenant afficher le mot « LOAd ». Si l'affichage est différent, enfoncez et relâchez deux fois la touche **STOP** du panneau tactile de la commande de la sécheuse.
- 5) Enfoncez et relâchez la touche fléchée **UP** ou **DOWN** du panneau tactile de la commande de la sécheuse pour sélectionner un cycle de séchage.
- 6) Une fois le cycle de séchage désiré sélectionné, enfoncez et relâchez la touche **START** du panneau tactile.

Une fois la touche **START** du panneau tactile de la commande de la sécheuse enfoncée, le cylindre de la sécheuse commence à tourner et le temps de cycle de séchage à deux chiffres, ainsi qu'un point décimal, s'affiche sur l'écran de la commande de la sécheuse.

Le temps affiché sur l'écran de la commande de la sécheuse compte à rebours jusqu'au temps de refroidissement programmé. À ce moment, l'affichage du point décimal et des deux chiffres change, et la lettre « C » et deux chiffres s'affichent.

La lettre « C » représente la portion refroidissement du cycle de séchage. Les deux chiffres représentent le temps restant dans le cycle de séchage. Le temps à deux chiffres affiché sur l'écran de la commande de la sécheuse compte à rebours jusqu'à zéro.

Lorsque le temps arrive à zéro, l'affichage de la commande de la sécheuse clignote avec le mot « donE » et la tonalité de fin de cycle retentit.

À ce moment, le cycle anti-plis démarre automatiquement. Ce cycle attend deux minutes, si la porte n'est pas ouverte ou si la touche **STOP** du panneau tactile de la commande de la sécheuse n'est pas enfoncée, puis il tourne le cylindre pendant 10 secondes et s'arrête. Ces deux minutes de temps de veille et

10 secondes de rotation du tambour se répètent un total de 10 fois, après quoi le cycle anti-plis s'arrête. Le cylindre ne tourne plus avant le démarrage d'un nouveau cycle de séchage.

Durant le cycle anti-plis, le robinet de gaz n'est pas activé et aucune chaleur n'est appliquée à la charge. Le mot « donE » continue de clignoter jusqu'à la fin du cycle anti-plis. Lorsque la porte de chargement de la sécheuse est ouverte ou que la touche **STOP** du panneau tactile est enfoncée, le mot « donE » change et le mot « LOAd » s'affiche sur l'écran de la commande de la sécheuse. La sécheuse est alors prête pour un nouveau cycle de séchage.

Durant le cycle de séchage, enfoncer la touche STOP du panneau tactile de la commande de la sécheuse ou ouvrir la porte de chargement de la sécheuse arrête le cycle de séchage sans l'effacer. Si vous enfonchez la touche STOP du panneau tactile de la commande de la sécheuse, puis ouvrez la porte de chargement de la sécheuse, le cycle de séchage ne s'efface pas. En revanche, si vous ouvrez (ou ouvrez et fermez) la porte de chargement de la sécheuse, puis enfonchez la touche STOP du panneau tactile de la commande de la sécheuse, le cycle de séchage présent est effacé et le mot « LOAd » s'affiche sur l'écran de la commande de la sécheuse.

Deux cavaliers et un bouton-poussoir se trouvent du côté composant du circuit imprimé de la commande de la sécheuse.

Le cavalier à l'arrière à droite du circuit imprimé contrôle le mode d'affichage et de fonctionnement de la commande en Celsius ou en Fahrenheit. Ce cavalier est étiqueté TEMP SELECT et possède trois broches. Les broches de l'arrière et du milieu sont pour le mode Celsius et les broches de l'avant et du milieu sont pour le mode Fahrenheit, comme indiqué par les lettres C pour Celsius et F pour Fahrenheit.

Non réversible:

L'autre cavalier, situé à l'arrière au milieu des commandes de chaque circuit imprimé, est utilisé pour choisir le type de sécheuse, réversible ou non réversible. Ce cavalier est étiqueté REV et NON-REV. Il doit être en position non réversible, ce qui correspond aux broches de l'avant et du milieu. Si le cavalier est en position réversible, la partie chauffage du cycle de séchage ne fonctionne pas correctement. La sécheuse n'inverse pas non plus la direction du tambour.

Réversible:

L'autre cavalier, situé à l'arrière au milieu des commandes de chaque circuit imprimé, est utilisé pour choisir le type de sécheuse, réversible ou non réversible. Ce cavalier est étiqueté REV et NON-REV. Il doit être en position réversible, ce qui correspond aux broches de l'arrière et du milieu.

Le bouton-poussoir situé en bas au milieu des commandes de chaque circuit imprimé de la commande de la sécheuse est utilisé pour réinitialiser les cinq paramètres par défaut d'usine des cycles de séchage. Il est étiqueté DEFAULT SETTINGS. Même si les cycles de séchage ont été modifiés en mode de programmation permanente, la procédure est réinitialisée aux paramètres par défaut d'usine lorsque ce bouton-poussoir est enfoncé. Ce bouton-poussoir doit être enfoncé et maintenu au moins trois secondes avec le circuit imprimé de la commande de la sécheuse alimenté.

Si vous changez un cavalier, coupez l'alimentation avant de le retirer. Avant de restaurer l'alimentation, maintenez enfoncé le bouton-poussoir DEFAULT SETTINGS. Rétablissez ensuite l'alimentation et relâchez le bouton-poussoir DEFAULT SETTINGS trois secondes après avoir rétabli l'alimentation.

PROGRAMMATION TEMPORAIRE DE LA COMMANDE DE LA SÉCHEUSE **NON RÉVERSIBLE**

Le mode de programmation temporaire permet de modifier les paramètres de cycle de séchage enregistrés dans la commande de la sécheuse pendant un cycle de séchage complet. Une fois le cycle de séchage terminé, les paramètres par défaut qui existaient avant la modification temporaire sont restaurés. Le cycle de séchage temporaire peut être arrêté et effacé à n'importe quel moment durant le fonctionnement du cycle de séchage.

Pour effectuer une modification temporaire d'un cycle de la commande de la sécheuse, suivez la procédure ci-dessous. Le texte affiché sur l'écran numérique à 4 chiffres apparaîtra entre guillemets. Les touches du panneau

la commande de la sècheuse tactile qui doivent être physiquement enfoncées seront en **MAJUSCULES ET CARACTÈRES GRAS**.

À tout moment, si vous souhaitez sortir du mode de programmation temporaire lors de la modification des paramètres de programme, vous pouvez enfoncer la touche **STOP** du panneau tactile de la commande de la sècheuse, si l'affichage numérique à 4 chiffres ne clignote pas. Vous pouvez enfoncer et relâcher la touche **SELECT/ENTER** du panneau tactile de la commande de la sècheuse pour entrer la valeur clignotante affichée sur l'écran numérique à 4 chiffres et quitter.

Si vous enfonchez et relâchez la touche **STOP** du panneau tactile de la commande de la sècheuse lorsque l'écran numérique à 4 chiffres ne clignote pas, les modifications temporaires du programme du cycle de séchage sont annulées. Les paramètres enregistrés du cycle de séchage qui existaient avant la modification temporaire sont restaurés.

À tout moment, si vous souhaitez démarrer le cycle de séchage temporaire en mode de programmation temporaire, enfonchez et relâchez la touche **START** du panneau tactile de la commande de la sècheuse si l'affichage numérique à 4 chiffres ne clignote pas. Vous pouvez enfoncer et relâcher la touche **SELECT/ENTER** du panneau tactile de la commande de la sècheuse pour entrer la valeur clignotante affichée sur l'écran numérique à 4 chiffres et démarrer le cycle de séchage temporaire. Si vous démarrez le cycle de séchage temporaire, l'écran numérique à 4 chiffres modifie le temps de séchage total et compte à rebours jusqu'à 0 pendant que le cycle de séchage progresse.

PROCÉDURE

- 11) Assurez-vous que la sècheuse n'est pas en cycle de séchage. L'écran numérique à 4 chiffres de la commande de la sècheuse affiche « LOAd » lorsque la sècheuse n'est pas en cycle de séchage.
- 12) Enfonchez et relâchez les touches fléchées **UP** ou **DOWN** du panneau tactile de la commande de la sècheuse pour sélectionner le cycle de séchage que vous souhaitez modifier (cycle de séchage 1 à 5). La DÉL du cycle de séchage s'allume pour indiquer le cycle de séchage que vous sélectionnez. Si vous maintenez une des touches fléchées enfoncées, la commande fait défiler les cinq cycles de séchage.
- 13) Enfonchez et relâchez la touche **CYCLE** du panneau tactile de la commande de la sècheuse une fois que vous avez sélectionné le cycle de séchage que vous souhaitez modifier. Après avoir appuyé sur cette touche, la DÉL de programmation et celle du temps de séchage s'allument. La DÉL du cycle de séchage reste allumée. Le temps de séchage total s'affiche également sur l'écran numérique à 4 chiffres.
- 14) Enfonchez et relâchez les touches fléchées **UP** ou **DOWN** pour modifier le temps de cycle total. Une fois qu'une des touches fléchées est enfoncée, la DÉL de temps de séchage et celle du temps de séchage total clignotent sur l'écran numérique à 4 chiffres. Si vous appuyez longuement sur une des touches fléchées, vous augmentez (touche fléchée **UP**) ou réduisez (touche fléchée **DOWN**) les temps totaux de séchage disponibles (de 1 à 60 minutes). Ce temps de séchage affiché comprend le temps de refroidissement et le temps de chauffage. Pour ne pas modifier le temps total de séchage, n'appuyez pas sur les touches fléchées.
- 15) Enfonchez et relâchez la touche **SELECT/ENTER**. Une fois cette touche enfoncée et relâchée, la DÉL du temps de séchage, la DÉL du cycle de séchage et celle de la programmation restent allumées, et la DÉL de température s'allume. Le temps de séchage s'affiche également sur l'écran numérique à 4 chiffres.
- 16) Enfonchez et relâchez les touches fléchées **UP** ou **DOWN** pour modifier la température de séchage. À chaque fois que vous enfonchez et relâchez les touches fléchées, la température augmente ou diminue de cinq degrés Fahrenheit ou trois degrés Celsius, selon la configuration de la commande de votre sècheuse. Une fois qu'une des touches fléchées est enfoncée, la DÉL de température et celle de la température de séchage clignotent sur l'écran numérique à 4 chiffres. Si vous appuyez longuement sur une des touches fléchées, vous augmentez (touche fléchée **UP**) ou réduisez (touche fléchée **DOWN**) les températures de séchage disponibles par incréments (de 105 à 195 °F ou 40 à 90 °C). Si vous ne souhaitez pas modifier la température de séchage, n'appuyez pas sur les touches fléchées. Passez à l'étape suivante.
- 17) Enfonchez et relâchez la touche **SELECT/ENTER**. Une fois cette touche enfoncée et relâchée, la DÉL de la température de séchage, la DÉL du cycle de séchage et celle de la programmation restent allumées, et la DÉL de refroidissement s'allume. Le temps de refroidissement s'affiche également sur l'écran numérique à 4 chiffres.

- 18) Enfoncez et relâchez les touches fléchées **UP** ou **DOWN** pour modifier le temps de refroidissement. Une fois que les touches fléchées sont enfoncées, la DÉL de refroidissement et celle du temps de refroidissement clignotent sur l'écran numérique à 4 chiffres. Si vous appuyez longuement sur une des touches fléchées, vous augmentez (touche fléchée **UP**) ou réduisez (touche fléchée **DOWN**) les temps de séchage disponibles (de 2 à 60 minutes). Pour ne pas modifier le temps de refroidissement, n'appuyez pas sur les touches fléchées. Passez à l'étape suivante.
- 19) Enfoncez et relâchez la touche **SELECT/ENTER**. Une fois cette touche enfoncée et relâchée, la DÉL de refroidissement et celle de la programmation s'éteignent et la DÉL du cycle de séchage reste allumée. Le temps de refroidissement clignotant sur l'affichage à 4 chiffres arrête de clignoter et reste allumé fixe.
- 20) À ce stade, vous avez deux choix : 1) Vous pouvez lancer le cycle de séchage modifié en enfonçant et relâchant la touche **START** du panneau tactile de la commande de la sécheuse, ou 2) Vous pouvez effacer le cycle de séchage modifié en enfonçant et relâchant la touche STOP une fois. Si vous démarrez le cycle modifié, le temps de séchage total s'affiche sur l'écran numérique à 4 chiffres et compte à rebours jusqu'à 0 tandis que le cycle de séchage progresse. Si vous choisissez d'effacer le cycle de séchage modifié, l'écran numérique à 4 chiffres change et affiche « LOAd ».

EXEMPLE DE PROGRAMMATION TEMPORAIRE DE LA COMMANDE DE LA SÉCHEUSE NON RÉVERSIBLE

EXIGENCES : Sécher une charge avec 40 minutes de chauffage à 185 °F (85 °C) et cinq minutes de refroidissement.

La procédure suivante vous montrera comment modifier temporairement le cycle de séchage 1 existant pour un cycle de séchage. Elle suppose que les valeurs par défaut d'usine n'ont pas subi de modification permanente. Si elles ont été modifiées, les étapes de cette procédure seront identiques, mais les valeurs affichées seront différentes. Le nombre de fois que les touches UP ou DOWN du panneau tactile de la commande de la sécheuse sont enfoncées et relâchées peut également être différent.

Si vous souhaitez que les modifications soient permanentes, allez à la section « PROGRAMMATION PERMANENTE DE LA COMMANDE DE LA SÉCHEUSE » de ce manuel.

PROCÉDURE

- 8) Après avoir placé la charge dans la sécheuse, enfoncez et relâchez la touche **UP** ou **DOWN** du panneau tactile de la commande de la sécheuse jusqu'à ce que la DÉL du cycle de séchage 1 s'allume.
- 9) Enfoncez et relâchez la touche CYCLE du panneau tactile de la commande de la sécheuse. Vous verrez le nombre « 35 » s'afficher sur l'écran de la commande de la sécheuse. La DÉL de programmation et la DÉL du temps de séchage s'allument.
- 10) Enfoncez et relâchez la touche fléchée **UP** du panneau tactile de la commande de la sécheuse 10 fois jusqu'à ce que le nombre « 45 » s'affiche. La première fois que la touche fléchée **UP** du panneau tactile est enfoncée, le nombre « 36 » clignote sur l'écran de la commande de la sécheuse. Chaque nombre suivant clignote également.
- 11) Enfoncez et relâchez la touche **SELECT/ENTER** du panneau tactile de la commande de la sécheuse. Le nombre « 45 » arrête de clignoter et la DÉL de temps de séchage s'éteint. L'écran de la commande de la sécheuse affiche « 180 », la DÉL de température s'allume, la DÉL de programmation et celle du cycle de séchage 1 restent allumées.
- 12) Enfoncez et relâchez la touche fléchée **UP** du panneau tactile de la commande de la sécheuse une fois afin que l'écran de la commande affiche le nombre « 185 » clignotant. Chaque fois que la touche fléchée UP est enfoncée, la température augmente de 5 °F.

- 13) Enfoncez et relâchez la touche **SELECT/ENTER** du panneau tactile de la commande de la sécheuse. Le nombre « 185 » arrête de clignoter et la DÉL de température s'éteint. L'écran de la commande de la sécheuse affiche le nombre « 5 », la DÉL de refroidissement s'allume, et la DÉL de programmation et celle du cycle de séchage 1 restent allumées.
- 14) Enfoncez et relâchez la touche **SELECT/ENTER** du panneau tactile de la commande de la sécheuse, car le temps de refroidissement désiré est de cinq minutes. Après avoir enfoncé la touche **SELECT/ENTER** du panneau tactile de la commande, la LÉD de refroidissement et celle de la programmation s'éteignent. L'affichage de la commande reste à « 5 » et la DÉL du cycle 1 reste allumée.

Vous êtes maintenant prêt à démarrer le nouveau cycle de séchage. Ce nouveau cycle de séchage sera en vigueur pour un cycle de séchage uniquement. Une fois le cycle terminé, ou si la touche **STOP** du panneau tactile de la commande de la sécheuse est enfoncée et relâchée deux fois consécutives, le programme du cycle 1 revient aux paramètres par défaut d'usine.

Si vous enfoncez la touche **START** du panneau tactile de la commande de la sécheuse, l'écran de la commande passe de « 5 » à « 45 » et le cycle de séchage 1 démarre.

PROGRAMMATION PERMANENTE DE LA COMMANDE DE LA SÉCHEUSE NON RÉVERSIBLE

Le mode de programmation permanente permet de modifier les paramètres de cycle de séchage enregistrés dans la commande de la sécheuse jusqu'à ce que l'opérateur les modifie à nouveau. Il est possible de restaurer les paramètres par défaut d'usine dans la commande de la sécheuse en enfonçant le bouton-poussoir des paramètres par défaut à l'arrière (côté composants) du circuit imprimé de la commande de la sécheuse. Il est étiqueté et situé en bas au milieu du circuit imprimé, lorsque vous regardez le côté composants du circuit. Vous devez appuyer dessus et le maintenir enfoncé pendant au moins trois secondes.

Pour effectuer une modification permanente d'un cycle de la commande de la sécheuse, suivez la procédure ci-dessous. Le texte affiché sur l'écran numérique à 4 chiffres apparaîtra entre guillemets. Les touches du panneau tactile qui doivent être physiquement enfoncées seront en **MAJUSCULES ET CARACTÈRES GRAS**.

À tout moment, si vous souhaitez sortir du mode de programmation permanente lors de la modification des paramètres, vous pouvez enfoncer la touche **STOP** du panneau tactile de la commande de la sécheuse, si l'affichage numérique à 4 chiffres ne clignote pas. Vous pouvez enfoncer et relâcher la touche **SELECT/ENTER** du panneau tactile de la commande de la sécheuse pour entrer la valeur clignotante affichée sur l'écran numérique à 4 chiffres et quitter.

PROCÉDURE

- 14) Assurez-vous que la sécheuse n'est pas en cycle de séchage. L'écran numérique à 4 chiffres de la commande de la sécheuse affiche « LOAd » lorsque la sécheuse n'est pas en cycle de séchage.
- 15) Enfoncez et relâchez la touche **PROG** du panneau tactile de la commande de la sécheuse.
- 16) Enfoncez et relâchez la touche fléchée **UP** du panneau tactile de la commande de la sécheuse. La DÉL de programmation s'allume et l'écran numérique à 4 chiffres de la commande de la sécheuse affiche « Prog ».
- 17) Enfoncez et relâchez les touches fléchées **UP** ou **DOWN** pour sélectionner le cycle de séchage que vous souhaitez modifier (cycle de séchage 1 à 5). La DÉL du cycle de séchage s'allume pour indiquer le cycle de séchage que vous sélectionnez. Si vous maintenez une des touches fléchées enfoncées, la commande fait défiler les cinq cycles de séchage.
- 18) Enfoncez et relâchez la touche **SELECT/ENTER** une fois que vous avez sélectionné le cycle de séchage que vous souhaitez modifier. Après avoir appuyé sur cette touche, la DÉL du temps de séchage s'allume. La DÉL du cycle de séchage reste allumée et celle de la programmation reste allumée. Le temps de séchage total s'affiche également sur l'écran numérique à 4 chiffres.
- 19) Enfoncez et relâchez les touches fléchées **UP** ou **DOWN** pour modifier le temps de séchage total. Une fois

qu'une des touches fléchées est enfoncée, la DÉL de temps de séchage et celle du temps de séchage total clignotent sur l'écran numérique à 4 chiffres. Si vous appuyez longuement sur une des touches fléchées, vous augmentez (touche fléchée **UP**) ou réduisez (touche fléchée **DOWN**) les temps totaux de séchage disponibles (de 1 à 60 minutes). Ce temps de séchage affiché comprend le temps de refroidissement et le temps de chauffage. Pour ne pas changer le temps total de séchage, n'appuyez pas sur les touches fléchées. Passez à l'étape suivante.

- 20) Enfoncez et relâchez la touche **SELECT/ENTER**. Une fois cette touche enfoncée et relâchée, la DÉL du temps de séchage, la DÉL du cycle de séchage et celle de la programmation restent allumées, et la DÉL de température s'allume. Le temps de séchage s'affiche également sur l'écran numérique à 4 chiffres.
- 21) Enfoncez et relâchez les touches fléchées **UP** ou **DOWN** pour modifier la température de séchage. À chaque fois que vous enfoncez et relâchez les touches fléchées, la température augmente ou diminue de cinq degrés Fahrenheit ou trois degrés Celsius, selon la configuration de la commande de votre sècheuse. Une fois qu'une des touches fléchées est enfoncée, la DÉL de température et celle de la température de séchage clignotent sur l'écran numérique à 4 chiffres. Si vous appuyez longuement sur une des touches fléchées, vous augmentez (touche fléchée **UP**) ou réduisez (touche fléchée **DOWN**) les températures de séchage disponibles par incréments (de 105 à 195 °F ou 40 à 90 °C). Si vous ne souhaitez pas modifier la température de séchage, n'appuyez pas sur les touches fléchées. Passez à l'étape suivante.
- 22) Enfoncez et relâchez la touche **SELECT/ENTER**. Une fois cette touche enfoncée et relâchée, la DÉL de la température de séchage, la DÉL du cycle de séchage et celle de la programmation restent allumées, et la DÉL de refroidissement s'allume. Le temps de refroidissement s'affiche également sur l'écran numérique à 4 chiffres.
- 23) Enfoncez et relâchez les touches fléchées **UP** ou **DOWN** pour modifier le temps de refroidissement. Une fois que les touches fléchées sont enfoncées, la DÉL de refroidissement et celle du temps de refroidissement clignotent sur l'écran numérique à 4 chiffres. Si vous appuyez longuement sur une des touches fléchées, vous augmentez (touche fléchée **UP**) ou réduisez (touche fléchée **DOWN**) les temps de séchage disponibles (de 2 à 60 minutes). Pour ne pas modifier le temps de refroidissement, n'appuyez pas sur les touches fléchées. Passez à l'étape suivante.
- 24) Enfoncez et relâchez la touche **SELECT/ENTER**. Une fois cette touche enfoncée et relâchée, la DÉL de refroidissement s'éteint et la DÉL du cycle de séchage et celle de la programmation restent et l'écran numérique à 4 chiffres change et affiche « Prog ».
- 25) Enfoncez et relâchez la touche **STOP** pour enregistrer le programme de cycle et quitter le mode de programmation. Si vous souhaitez modifier à nouveau le même programme de cycle de séchage, enfoncez la touche **SELECT/ENTER** et passez à l'étape 6 de cette procédure. Si vous souhaitez modifier un autre programme de cycle de séchage, allez à l'étape 4 de cette procédure et continuez.
- 26) Si vous avez enfoncé la touche **STOP** pour quitter le mode de programmation, vous pouvez maintenant démarrer le cycle de séchage en enfonçant la touche **START**.

EXEMPLE DE PROGRAMMATION PERMANENTE DE LA COMMANDE DE LA SÈCHEUSE NON RÉVERSIBLE

EXIGENCES : Sécher une charge avec 50 minutes de chauffage à 195 °F (90 °C) et trois minutes de refroidissement.

La procédure suivante vous montrera comment effectuer une modification permanente du cycle de séchage 1 existant pour un cycle de séchage. Elle suppose que les valeurs par défaut d'usine n'ont pas subi de modification permanente. Si elles ont été modifiées, les étapes de cette procédure seront identiques, mais les valeurs affichées seront différentes. Le nombre de fois que les touches UP ou DOWN du panneau tactile de la commande de la sècheuse sont enfoncées et relâchées peut également être différent.

Si vous souhaitez que les modifications soient temporaires (pour un seul cycle de séchage), passez à la section « PROGRAMMATION TEMPORAIRE DE LA COMMANDE DE LA SÈCHEUSE » de ce manuel.

PROCÉDURE

- 12) Après avoir placé la charge dans la sécheuse, enfoncez et relâchez la touche **UP** ou **DOWN** du panneau tactile de la commande de la sécheuse jusqu'à ce que la DÉL du cycle de séchage 1 s'allume.
- 13) Enfoncez et relâchez la touche **PROG** du panneau tactile de la commande de la sécheuse. L'affichage de la commande de la sécheuse ne change pas.
- 14) Enfoncez et relâchez immédiatement la touche fléchée **UP** du panneau tactile de la commande de la sécheuse. L'affichage de la commande passe de « LOAd » à « Prog ». Vous êtes maintenant entré en mode de programmation permanente. La DÉL de temps de séchage reste allumée et la DÉL de programmation s'allume.
- 15) Enfoncez et relâchez une fois la touche **SELECT/ENTER** du panneau tactile. La DÉL de temps de séchage et celle de la programmation restent allumées, et la DÉL de temps de séchage s'allume. La commande de la sécheuse affiche également le nombre « 35 ».
- 16) Enfoncez la touche fléchée **UP** du panneau tactile 18 fois jusqu'à ce que la commande de la sécheuse affiche le nombre « 53 ».
- 17) Enfoncez et relâchez une fois la touche **SELECT/ENTER** du panneau tactile. La DÉL de temps de séchage et celle de la programmation restent allumées, et la DÉL de temps de séchage s'éteint. La DÉL de température s'allume et la commande de la sécheuse affiche le nombre « 180 ».
- 18) Enfoncez et relâchez la touche fléchée **UP** du panneau tactile trois fois jusqu'à ce que la commande de la sécheuse affiche le nombre « 195 ».
- 19) Enfoncez et relâchez la touche **SELECT/ENTER** du panneau tactile. La DÉL de temps de séchage et celle de la programmation restent allumées, et la DÉL de température s'éteint. La DÉL de refroidissement s'allume et la commande de la sécheuse affiche le nombre « 5 ».
- 20) Enfoncez et relâchez la touche fléchée **DOWN** du panneau tactile deux fois jusqu'à ce que la commande de la sécheuse affiche le nombre « 3 ».
- 21) Enfoncez et relâchez la touche **SELECT/ENTER** du panneau tactile. La DÉL de temps de séchage et celle de la programmation restent allumées, et la DÉL de refroidissement s'éteint. L'affichage de la commande de la sécheuse passe à « Prog ».
- 22) Enfoncez et relâchez la touche **STOP** du panneau tactile. La DÉL de temps de séchage reste allumée et la DÉL de programmation s'éteint. L'affichage de la commande de la sécheuse passe à « LOAd ».

La sécheuse est maintenant prête à démarrer le nouveau cycle de séchage modifié. Ce programme modifié du cycle de séchage 1 reste dans la mémoire de la commande de la sécheuse jusqu'à ce que le bouton-poussoir de paramètres par défaut soit enfoncé. Ce bouton-poussoir de paramètres par défaut est situé au milieu du côté composants du circuit imprimé de la commande de la sécheuse.

PROGRAMMATION TEMPORAIRE DE LA COMMANDE DE LA SÈCHEUSE RÉVERSIBLE

Le mode de programmation temporaire permet de modifier les paramètres de cycle de séchage enregistrés dans la commande de la sécheuse pendant un cycle de séchage complet. Une fois le cycle de séchage terminé, les paramètres par défaut qui existaient avant la modification temporaire sont restaurés. Le cycle de séchage temporaire peut être arrêté et effacé à n'importe quel moment durant le fonctionnement du cycle de séchage.

Pour effectuer une modification temporaire d'un cycle de la commande de la sécheuse, suivez la procédure ci-dessous. Le texte affiché sur l'écran numérique à 4 chiffres apparaîtra entre guillemets. Les touches du panneau

la commande de la sècheuse tactile qui doivent être physiquement enfoncées seront en **MAJUSCULES ET CARACTÈRES GRAS**.

À tout moment, si vous souhaitez sortir du mode de programmation temporaire lors de la modification des paramètres de programme, vous pouvez enfoncer la touche **STOP** du panneau tactile de la commande de la sècheuse, si l'affichage numérique à 4 chiffres ne clignote pas. Vous pouvez enfoncer et relâcher la touche **SELECT/ENTER** du panneau tactile de la commande de la sècheuse pour entrer la valeur clignotante affichée sur l'écran numérique à 4 chiffres et quitter.

Si vous enfoncez et relâchez la touche **STOP** du panneau tactile de la commande de la sècheuse lorsque l'écran numérique à 4 chiffres ne clignote pas, les modifications temporaires du programme du cycle de séchage sont annulées. Les paramètres enregistrés du cycle de séchage qui existaient avant la modification temporaire sont restaurés.

À tout moment, si vous souhaitez démarrer le cycle de séchage temporaire en mode de programmation temporaire, enfoncez et relâchez la touche **START** du panneau tactile de la commande de la sècheuse si l'affichage numérique à 4 chiffres ne clignote pas. Vous pouvez enfoncer et relâcher la touche **SELECT/ENTER** du panneau tactile de la commande de la sècheuse pour entrer la valeur clignotante affichée sur l'écran numérique à 4 chiffres et démarrer le cycle de séchage temporaire. Si vous démarrez le cycle de séchage temporaire, l'écran numérique à 4 chiffres modifie le temps de séchage total et compte à rebours jusqu'à 0 pendant que le cycle de séchage progresse.

PROCÉDURE

- 1) Assurez-vous que la sècheuse n'est pas en cycle de séchage. L'écran numérique à 4 chiffres de la commande de la sècheuse affiche « LOAd » lorsque la sècheuse n'est pas en cycle de séchage.
- 2) Enfoncez et relâchez le commutateur **UP** ou **DOWN** du panneau tactile de la commande de la sècheuse pour sélectionner le cycle de séchage que vous souhaitez modifier (cycle de séchage 1 à 5). La DÉL du cycle de séchage s'allume pour indiquer le cycle de séchage que vous sélectionnez. Si vous enfoncez longuement le commutateur **UP** ou **DOWN** du panneau tactile, la commande fait défiler les cinq cycles de séchage.
- 3) Enfoncez et relâchez le commutateur **CYCLE** du panneau tactile de la commande de la sècheuse une fois que vous avez sélectionné le cycle de séchage que vous souhaitez modifier. Après avoir enfoncé le commutateur **CYCLE** du panneau tactile, la DÉL de programmation et la DÉL de temps de séchage s'allument, la DÉL du cycle de séchage reste allumée et le temps de séchage total s'affiche sur l'écran numérique à 4 chiffres.
- 4) Enfoncez et relâchez le commutateur **UP** ou **DOWN** du panneau tactile de la commande de la sècheuse pour modifier le temps de cycle total. Une fois que le commutateur **UP** ou **DOWN** est enfoncé, la DÉL de temps de séchage et le temps de séchage total clignotent sur l'écran numérique à 4 chiffres. Si vous enfoncez longuement le commutateur **UP** ou **DOWN** du panneau tactile, vous augmentez (touche fléchée **UP**) ou réduisez (touche fléchée **DOWN**) les temps de séchage totaux disponibles par incréments (de 1 à 60 minutes). Ce temps de séchage affiché comprend le temps de refroidissement et le temps de chauffage. Pour ne pas modifier le temps de refroidissement, n'appuyez pas sur les commutateurs **UP** ou **DOWN** du panneau tactile. Passez à l'étape suivante.
- 5) Enfoncez et relâchez le commutateur **SELECT/ENTER** du panneau tactile de la commande de la sècheuse. Une fois le commutateur **SELECT/ENTER** du panneau tactile enfoncé et relâché, la DÉL de temps de séchage s'éteint, la DÉL de cycle de séchage et la DÉL de programmation restent allumées, la DÉL de température s'allume et la température de séchage s'affiche sur l'écran numérique à 4 chiffres.
- 6) Enfoncez et relâchez le commutateur **UP** ou **DOWN** du panneau tactile de la commande de la sècheuse pour modifier la température de séchage. À chaque fois que vous enfoncez et relâchez les commutateurs **UP** ou **DOWN** du panneau tactile, la température augmente ou diminue, respectivement, de cinq degrés Fahrenheit ou trois degrés Celsius, selon la configuration de la commande de votre sècheuse. Une fois que le commutateur **UP** ou **DOWN** du panneau tactile est enfoncé, la DÉL de température et la température de séchage clignotent sur l'écran numérique à 4 chiffres. Si vous enfoncez longuement le commutateur **UP** ou **DOWN** du panneau tactile, vous augmentez (touche fléchée **UP**) ou réduisez (touche fléchée **DOWN**) les températures de séchage disponibles par incréments (de 105 à 195 °F ou 41 à 90 °C). Si vous ne souhaitez pas modifier la température de séchage, n'enfoncez pas les commutateurs **UP** ou **DOWN** du panneau tactile. Passez à l'étape suivante.
- 7) Enfoncez et relâchez le commutateur **SELECT/ENTER** du panneau tactile de la commande de la sècheuse. Une fois le commutateur **SELECT/ENTER** du panneau tactile enfoncé et relâché, la DÉL de température

s'éteint, la DÉL de cycle de séchage et la DÉL de programmation restent allumées, la DÉL de refroidissement s'allume et le temps de refroidissement s'affiche sur l'écran numérique à 4 chiffres.

- 8) Enfoncez et relâchez le commutateur **UP** ou **DOWN** du panneau tactile de la commande de la sécheuse pour modifier le temps de refroidissement. Une fois que le commutateur **UP** ou **DOWN** du panneau tactile est enfoncé, la DÉL de temps de refroidissement et le temps de refroidissement clignotent sur l'écran numérique à 4 chiffres. Si vous enfoncez longuement les commutateurs **UP** ou **DOWN** du panneau tactile, vous augmentez (touche fléchée **UP**) ou réduisez (touche fléchée **DOWN**) le temps de refroidissement disponible par incrément (de 2 à 60 minutes, si la commande est dotée d'un point rouge autocollant ou de 2 à 15 minutes, si la commande ne comporte pas de point rouge autocollant). Pour ne pas modifier le temps de refroidissement, n'appuyez pas sur les commutateurs **UP** ou **DOWN** du panneau tactile. Passez à l'étape suivante.
- 9) Enfoncez et relâchez le commutateur **SELECT/ENTER** du panneau tactile de la commande de la sécheuse. Une fois le commutateur **SELECT/ENTER** du panneau tactile enfoncé et relâché, la DÉL de refroidissement s'éteint, la DÉL de cycle de séchage et la DÉL de programmation restent allumées, la DÉL d'inversion s'allume et le message « rEv » (mode réversible) ou « nrEv » (mode non réversible) s'affiche sur l'écran numérique à 4 chiffres.
- 13) Enfoncez et relâchez le commutateur **UP** ou **DOWN** du panneau tactile pour basculer le mode de fonctionnement de réversible à non réversible. Une fois que le commutateur **UP** ou **DOWN** du panneau tactile est enfoncé, la DÉL d'inversion et le message « rEv » (mode réversible) ou « nrEv » (mode non réversible) clignotent sur l'écran numérique à 4 chiffres. Pour ne pas modifier le mode de fonctionnement réversible ou non réversible, n'enfoncez pas les commutateurs **UP** ou **DOWN** du panneau tactile. Passez à l'étape suivante.
- 14) Enfoncez et relâchez le commutateur **SELECT/ENTER** du panneau tactile de la commande de la sécheuse. Une fois le commutateur **SELECT/ENTER** du panneau tactile enfoncé et relâché, la DÉL de programmation s'éteint, la DÉL d'inversion et la DÉL de cycle de séchage restent allumées, et le message clignotant réversible (rEv) ou non réversible (nrEv) sur l'écran numérique à 4 chiffres arrêtent de clignoter et restent fixes.
- 15) À ce stade, vous avez deux choix :
 - a) Vous pouvez lancer le cycle de séchage modifié en enfonçant et relâchant le commutateur **START** du panneau tactile de la commande de la sécheuse. Si vous démarrez le cycle modifié, le temps de séchage total s'affiche sur l'écran numérique à 4 chiffres et compte à rebours jusqu'à 0 tandis que le cycle de séchage progresse.
 - b) Vous pouvez effacer le cycle de séchage modifié en enfonçant et relâchant le commutateur **STOP** du panneau tactile. Si vous choisissez d'effacer le cycle de séchage modifié, l'écran numérique à 4 chiffres change et affiche « LOAd ».

EXEMPLE DE PROGRAMMATION TEMPORAIRE DE LA COMMANDE DE LA SÉCHEUSE RÉVERSIBLE

EXIGENCES : Sécher une charge en mode réversible avec 40 minutes de chauffage à 185 °F et deux minutes de refroidissement.

La procédure suivante vous montrera comment modifier temporairement le cycle de séchage 5 existant pour un cycle de séchage. Elle suppose que les valeurs par défaut d'usine n'ont pas subi de modification permanente. Si elles ont été modifiées, les étapes de cette procédure seront identiques, mais les valeurs affichées seront différentes. Le nombre de fois que les commutateurs **UP** ou **DOWN** du panneau tactile de la commande de la sécheuse sont enfoncés et relâchés pourra aussi être différent.

Si vous souhaitez que les modifications soient permanentes, allez à la section « PROGRAMMATION PERMANENTE DE LA COMMANDE DE LA SÉCHEUSE RÉVERSIBLE » de ce manuel.

PROCÉDURE

- 1) Après avoir placé la charge dans la sécheuse, enfoncez et relâchez le commutateur **UP** ou **DOWN** du panneau tactile de la commande de la sécheuse jusqu'à ce que la DÉL du cycle de séchage 5 s'allume.

- 2) Enfoncez et relâchez le commutateur **CYCLE** du panneau tactile de la commande de la sécheuse. Vous verrez le nombre « 25 » s'afficher sur l'écran de la commande de la sécheuse. La DÉL de programmation et la DÉL du temps de séchage s'allument.
- 3) Enfoncez et relâchez le commutateur **UP** du panneau tactile de la commande de la sécheuse 17 fois jusqu'à voir le nombre « 42 » s'afficher. La première fois que le commutateur **UP** du panneau tactile est enfoncé, le nombre « 26 » clignote sur l'écran de la commande de la sécheuse. Chaque nombre suivant clignote également.
- 4) Enfoncez et relâchez le commutateur **SELECT/ENTER** du panneau tactile de la commande de la sécheuse. Le nombre « 42 » arrête de clignoter, la DÉL de temps de séchage s'éteint, l'écran de la commande de la sécheuse affiche « 175 », la DÉL de température s'allume, et la DÉL de programmation et la DÉL du cycle de séchage 5 restent allumées.
- 5) Enfoncez et relâchez deux fois le commutateur **UP** du panneau tactile de la commande de la sécheuse jusqu'à voir le nombre « 185 » s'afficher. Chaque fois que le commutateur **UP** du panneau tactile est enfoncé, la température augmente de cinq degrés.
- 6) Enfoncez et relâchez le commutateur **SELECT/ENTER** du panneau tactile de la commande de la sécheuse. Le nombre « 185 » arrête de clignoter, la DÉL de température s'éteint, l'écran de la commande de la sécheuse affiche le nombre « 2 », la DÉL de refroidissement s'allume, et la DÉL de programmation et la DÉL du cycle de séchage 5 restent allumées.
- 10) Enfoncez et relâchez le commutateur **SELECT/ENTER** du panneau tactile de la commande de la sécheuse, car le temps de refroidissement désiré est de deux minutes. Après avoir enfoncé le commutateur **SELECT/ENTER** du panneau tactile, la DÉL de refroidissement s'éteint, l'écran de la commande de la sécheuse affiche « nrEv », la DÉL d'inversion s'allume, et la DÉL de programmation et la DÉL du cycle de séchage 5 restent allumées.
- 11) Enfoncez et relâchez une fois le commutateur **UP** ou **DOWN** du panneau tactile de la commande de la sécheuse. Le texte « rEv » clignote sur l'écran de la commande de la sécheuse et la DÉL d'inversion commence à clignoter. Chaque fois que le commutateur **UP** ou **DOWN** du panneau tactile est enfoncé, le mode bascule de réversible (« rEv ») à non réversible (« nrEv »).
- 12) Enfoncez et relâchez le commutateur **SELECT/ENTER** du panneau tactile de la commande de la sécheuse. Une fois que le commutateur **SELECT/ENTER** du panneau tactile est enfoncé et relâché, la DÉL de programmation et la DÉL d'inversion s'éteignent, la DÉL du cycle de séchage 5 reste allumée, et le message « rEv » arrête de clignoter et reste allumé fixe.

Vous êtes maintenant prêt à démarrer le nouveau cycle de séchage. Ce nouveau cycle de séchage sera en vigueur pour un cycle de séchage uniquement. Une fois le cycle terminé, ou si le commutateur **STOP** du panneau tactile de la commande de la sécheuse est enfoncé et relâché deux fois consécutives, le programme du cycle 5 revient aux paramètres par défaut d'usine.

Si vous enfoncez le commutateur **START** du panneau tactile de la commande de la sécheuse, l'écran de la commande passe de « rEv » au nombre « 42 » et le cycle de séchage 5 démarre.

PROGRAMMATION PERMANENTE DE LA COMMANDE DE LA SÉCHEUSE RÉVERSIBLE

Le mode de programmation permanente permet de modifier les paramètres de cycle de séchage enregistrés dans la commande de la sécheuse jusqu'à ce que l'opérateur les modifie à nouveau. Il est possible de restaurer les paramètres par défaut d'usine dans la commande de la sécheuse en enfonçant le bouton-poussoir des paramètres par défaut à l'arrière (côté composants) du circuit imprimé de la commande de la sécheuse. Il est étiqueté et situé en bas au milieu du circuit imprimé, lorsque vous regardez le côté composants du circuit. Vous devez appuyer dessus et le maintenir enfoncé pendant au moins trois secondes.

Pour effectuer une modification permanente d'un cycle de la commande de la sécheuse, suivez la procédure ci-dessous. Le texte affiché sur l'écran numérique à 4 chiffres apparaîtra entre guillemets. Les touches du panneau tactile qui doivent être physiquement enfoncées seront en **MAJUSCULES ET CARACTÈRES GRAS**.

À tout moment, si vous souhaitez sortir du mode de programmation permanente lors de la modification des paramètres, vous pouvez enfoncer la touche **STOP** du panneau tactile de la commande de la sécheuse, si l'affichage numérique à 4 chiffres ne clignote pas. Vous pouvez enfoncer et relâcher la touche **SELECT/ENTER**

du panneau tactile de la commande de la sécheuse pour entrer la valeur clignotante affichée sur l'écran numérique à 4 chiffres et quitter.

PROCÉDURE

- 1) Assurez-vous que la sécheuse n'est pas en cycle de séchage. L'écran numérique à 4 chiffres de la commande de la sécheuse affiche « LOAd » lorsque la sécheuse n'est pas en cycle de séchage.
- 2) Enfoncez et relâchez le commutateur **PROG** du panneau tactile de la commande de la sécheuse.
- 3) Enfoncez et relâchez le commutateur **UP** du panneau tactile de la commande de la sécheuse. La DÉL de programmation s'allume et l'écran numérique à 4 chiffres de la commande de la sécheuse affiche « Prog ».
- 4) Enfoncez et relâchez le commutateur **UP** ou **DOWN** du panneau tactile pour sélectionner le cycle de séchage que vous souhaitez modifier (cycle de séchage 1 à 5). La DÉL du cycle de séchage s'allume pour indiquer le cycle de séchage que vous sélectionnez. Si vous enfoncez longuement le commutateur **UP** ou **DOWN** du panneau tactile, la commande fait défiler les cinq cycles de séchage.
- 5) Enfoncez et relâchez le commutateur **SELECT/ENTER** du panneau tactile une fois que vous avez sélectionné le cycle de séchage que vous souhaitez modifier. Après avoir enfoncé le commutateur **SELECT/ENTER** du panneau tactile, la DÉL de temps de séchage s'allume, la DÉL de temps de cycle et la DÉL de programmation restent allumées, et le temps de séchage total s'affiche sur l'écran numérique à 4 chiffres.
- 6) Enfoncez et relâchez le commutateur **UP** ou **DOWN** du panneau tactile de la commande de la sécheuse pour modifier le temps de séchage total. Une fois que le commutateur **UP** ou **DOWN** est enfoncé, la DÉL de temps de séchage et le temps de séchage total clignotent sur l'écran numérique à 4 chiffres. Si vous enfoncez longuement le commutateur **UP** ou **DOWN** du panneau tactile, vous augmentez (touche fléchée **UP**) ou réduisez (touche fléchée **DOWN**) les temps de séchage totaux disponibles par incréments (de 1 à 60 minutes). Le temps de séchage affiché sur l'écran de la commande comprend le temps de refroidissement et le temps de chauffage. Pour ne pas modifier le temps de séchage total, n'enfoncez pas les commutateurs **UP** ou **DOWN** du panneau tactile. Passez à l'étape suivante.
- 7) Enfoncez et relâchez le commutateur **SELECT/ENTER** du panneau tactile de la commande de la sécheuse. Une fois le commutateur **SELECT/ENTER** du panneau tactile enfoncé et relâché, la DÉL de temps de séchage s'éteint, la DÉL de cycle de séchage et la DÉL de programmation restent allumées, la DÉL de température s'allume et la température de séchage s'affiche sur l'écran numérique à 4 chiffres.
- 8) Enfoncez et relâchez le commutateur **UP** ou **DOWN** du panneau tactile de la commande de la sécheuse pour modifier la température de séchage. À chaque fois que vous enfoncez et relâchez les commutateurs **UP** ou **DOWN** du panneau tactile, la température augmente ou diminue, respectivement, de cinq degrés Fahrenheit ou trois degrés Celsius, selon la configuration de la commande de votre sécheuse. Une fois que le commutateur **UP** ou **DOWN** du panneau tactile est enfoncé, la DÉL de température et la température de séchage clignotent sur l'écran numérique à 4 chiffres. Si vous enfoncez longuement le commutateur **UP** ou **DOWN** du panneau tactile, vous augmentez (touche fléchée **UP**) ou réduisez (touche fléchée **DOWN**) les températures de séchage disponibles par incréments (de 105 à 195 °F ou 41 à 90 °C). Si vous ne souhaitez pas modifier la température de séchage, n'enfoncez pas les commutateurs **UP** ou **DOWN** du panneau tactile. Passez à l'étape suivante.
- 9) Enfoncez et relâchez le commutateur **SELECT/ENTER** du panneau tactile de la commande de la sécheuse. Une fois le commutateur **SELECT/ENTER** du panneau tactile enfoncé et relâché, la DÉL de température s'éteint, la DÉL de cycle de séchage et la DÉL de programmation restent allumées, la DÉL de refroidissement s'allume et le temps de refroidissement s'affiche sur l'écran numérique à 4 chiffres.
- 10) Enfoncez et relâchez le commutateur **UP** ou **DOWN** du panneau tactile de la commande de la sécheuse pour modifier le temps de refroidissement. Une fois que le commutateur **UP** ou **DOWN** du panneau tactile est enfoncé, la DÉL de refroidissement et celle du temps de refroidissement clignotent sur l'écran numérique à 4 chiffres. Si vous enfoncez longuement les commutateurs **UP** ou **DOWN** du panneau tactile, vous augmentez (touche fléchée **UP**) ou réduisez (touche fléchée **DOWN**) le temps de refroidissement disponible par incréments (de 2 à 60 minutes, si la commande est dotée d'un point rouge autocollant ou de 2 à 15 minutes, si la commande ne comporte pas de point rouge autocollant). Pour ne pas modifier le temps de refroidissement, n'appuyez pas sur les commutateurs **UP** ou **DOWN** du panneau tactile. Passez à l'étape suivante.

- 11) Enfoncez et relâchez le commutateur **SELECT/ENTER** du panneau tactile de la commande de la sécheuse. Une fois le commutateur **SELECT/ENTER** du panneau tactile enfoncé et relâché, la DÉL de refroidissement s'éteint, la DÉL de cycle de séchage et la DÉL de programmation restent allumées, la DÉL d'inversion s'allume et le message « rEv » (mode réversible) ou « nrEv » (mode non réversible) s'affiche sur l'écran numérique à 4 chiffres.
- 12) Enfoncez et relâchez le commutateur **UP** ou **DOWN** du panneau tactile de la commande de la sécheuse pour basculer du mode de fonctionnement réversible au mode non réversible. Une fois que le commutateur **UP** ou **DOWN** du panneau tactile est enfoncé, la DÉL d'inversion et le message « rEv » (mode réversible) ou « nrEv » (mode non réversible) clignotent sur l'écran numérique à 4 chiffres. Pour ne pas modifier le mode de fonctionnement réversible ou non réversible, n'enfoncez pas les commutateurs **UP** ou **DOWN** du panneau tactile. Passez à l'étape suivante.
- 13) Enfoncez et relâchez le commutateur **SELECT/ENTER** du panneau tactile de la commande de la sécheuse. Une fois le commutateur **SELECT/ENTER** du panneau tactile enfoncé et relâché, la DÉL d'inversion s'éteint, la DÉL de cycle de séchage et la DÉL de programmation restent allumées, et l'écran numérique à 4 chiffres change et affiche « Prog ».
- 14) Enfoncez et relâchez le commutateur **STOP** du panneau tactile de la commande de la sécheuse pour enregistrer le programme de cycle et quitter le mode de programmation. Si vous souhaitez modifier à nouveau le même programme de cycle de séchage, enfoncez le commutateur **SELECT/ENTER** du panneau tactile et passez à l'étape 6 de cette procédure. Si vous souhaitez modifier un autre programme de cycle de séchage, allez à l'étape 4 de cette procédure et continuez.
- 15) Si vous avez enfoncé le commutateur **STOP** du panneau tactile pour quitter le mode de programmation, vous pouvez maintenant démarrer le cycle de séchage en enfonçant le commutateur **START** du panneau tactile.

EXEMPLE DE PROGRAMMATION PERMANENTE DE LA COMMANDE DE LA SÉCHEUSE RÉVERSIBLE

EXIGENCES : Sécher une charge en mode réversible avec 50 minutes de chauffage à 195 °F et trois minutes de refroidissement.

La procédure suivante vous montrera comment effectuer une modification permanente du cycle de séchage 5 existant pour un cycle de séchage. Elle suppose que les valeurs par défaut d'usine n'ont pas subi de modification permanente. Si elles ont été modifiées, les étapes de cette procédure seront identiques, mais les valeurs affichées seront différentes. Le nombre de fois que les commutateurs **UP** ou **DOWN** du panneau tactile de la commande de la sécheuse doivent être enfoncés et relâchés pourra aussi être différent.

Si vous souhaitez que les modifications soient temporaires (pour un seul cycle de séchage), allez à la section « PROGRAMMATION TEMPORAIRE DE LA COMMANDE DE LA SÉCHEUSE RÉVERSIBLE » de ce manuel.

PROCÉDURE :

- 1) Après avoir placé la charge dans la sécheuse, enfoncez et relâchez le commutateur **UP** ou **DOWN** du panneau tactile de la commande de la sécheuse jusqu'à ce que la DÉL du cycle de séchage 5 s'allume.
- 2) Enfoncez et relâchez le commutateur **PROG** du panneau tactile de la commande de la sécheuse. L'affichage de la commande de la sécheuse ne change pas.
- 3) Enfoncez et relâchez immédiatement le commutateur **UP** du panneau tactile de la commande de la sécheuse. L'affichage de la commande passe de « LOAd » à « Prog ». Vous êtes maintenant entré en mode de programmation permanente. La DÉL de temps de séchage reste allumée et la DÉL de programmation s'allume.
- 4) Enfoncez et relâchez une fois le commutateur **SELECT/ENTER** du panneau tactile. La DÉL du cycle de séchage 5 et la DÉL de programmation restent allumées, la DÉL du temps de séchage s'allume et la commande de la sécheuse affiche le nombre « 25 ».
- 5) Enfoncez le commutateur **UP** du panneau tactile 28 fois jusqu'à ce que la commande de la sécheuse affiche le nombre « 53 ».

- 6) Enfoncez et relâchez une fois le commutateur **SELECT/ENTER** du panneau tactile de la commande de la sécheuse. La DÉL de cycle de séchage 5 et la DÉL de programmation restent allumées, la DÉL de temps de séchage s'éteint, la DÉL de température s'allume et la commande de la sécheuse affiche le nombre « 175 ».
- 7) Enfoncez et relâchez le commutateur **UP** du panneau tactile quatre fois jusqu'à ce que la commande de la sécheuse affiche le nombre « 195 ».
- 8) Enfoncez et relâchez le commutateur **SELECT/ENTER** du panneau tactile de la commande de la sécheuse. La DÉL du cycle de séchage 5 et la DÉL de programmation restent allumées, la DÉL de température s'éteint, la DÉL de refroidissement s'allume et la commande de la sécheuse affiche le nombre « 5 ».
- 9) Enfoncez et relâchez une fois le commutateur **UP** du panneau tactile jusqu'à ce que la commande de la sécheuse affiche le nombre « 3 ».
- 10) Enfoncez et relâchez le commutateur **SELECT/ENTER** du panneau tactile de la commande de la sécheuse. La DÉL du cycle de séchage 5 et la DÉL de programmation restent allumées, la DÉL de refroidissement s'éteint, la DÉL d'inversion s'allume et la commande de la sécheuse affiche le message « nrEv ».
- 11) Enfoncez et relâchez une fois le commutateur **UP** ou **DOWN** du panneau tactile de la commande de la sécheuse. Le texte « rEv » s'affiche sur l'écran de la commande de la sécheuse et la DÉL d'inversion commence à clignoter. Chaque fois que le commutateur **UP** ou **DOWN** du panneau tactile est enfoncé, le mode bascule de réversible (« rEv ») à non réversible (« nrEv »).
- 12) Enfoncez et relâchez le commutateur **SELECT/ENTER** du panneau tactile de la commande de la sécheuse. Une fois le commutateur **SELECT/ENTER** du panneau tactile enfoncé et relâché, la DÉL d'inversion s'éteint, la DÉL de programmation et la DÉL du cycle de séchage 5 restent allumées, et l'écran numérique à 4 chiffres change de « rEv » à « Prog ».
- 13) Enfoncez et relâchez le commutateur **STOP** du panneau tactile de la commande de la sécheuse. La DÉL du cycle de séchage 5 reste allumée, la DÉL de programmation s'éteint, et l'écran de la commande de la sécheuse change et affiche le texte « LOAd ».

La sécheuse est maintenant prête à démarrer le nouveau cycle de séchage modifié. Ce programme modifié du cycle de séchage 5 reste dans la mémoire de la commande de la sécheuse jusqu'à ce que le bouton-poussoir de paramètres par défaut soit enfoncé. Ce bouton-poussoir de paramètres par défaut est situé en bas au milieu du côté composants du circuit imprimé de la commande de la sécheuse.

ENTRETIEN ET DÉPANNAGE

MISE EN GARDE : Au moment de l'entretien des commandes, étiquetez tous les fils avant de les débrancher. Des erreurs de câblage peuvent entraîner un fonctionnement inadéquat et dangereux. Assurez-vous que l'appareil fonctionne adéquatement une fois l'entretien terminé.

ATTENTION. Lors des opérations d'entretien des commandes, étiquetez tous les fils avant de les déconnecter. Toute erreur de câblage peut être une source de danger et de panne.

Si l'un des symptômes suivants se produit sur cette sècheuse, vérifiez les remèdes suggérés énumérés ci-dessous. Si toutes les causes probables ont été éliminées et que le symptôme persiste, communiquez avec votre agent Dexter local pour obtenir une assistance de dépannage supplémentaire. Consultez les renseignements de contact dans la section Entretien préventif. Les manuels de pièces et de service de Dexter sont également disponibles pour une assistance de dépannage supplémentaire.

Symptôme	Cause probable	Remède suggéré
Le tambour ne tourne pas	Commande	Vérifiez que l'écran de commande affiche le temps disponible pour le séchage.
	Porte de chargement	Vérifiez que la porte de chargement est complètement fermée.
	Porte du compartiment à charpie	Vérifiez que la porte du compartiment à charpie est complètement fermée.
	Courroies d'entraînement	Vérifiez que les courroies d'entraînement ne sont pas excessivement usées. Remplacez-les si nécessaire.
Le tambour tourne, mais aucune flamme de brûleur n'est présente	Robinet de gaz	Assurez-vous que le robinet de gaz est ouvert.
	Module d'allumage	Suivez la procédure de vérification du cycle d'allumage énumérée dans la section Allumage de la sècheuse de ce manuel.
Séchage lent	Commande	Vérifiez que le bon paramètre de température est sélectionné.
	Filtre à charpie	Nettoyez le filtre à charpie.
	Restrictions du débit d'air/de l'air d'appoint	Suivez les directives d'installation pour la contre-pression statique et l'air d'appoint.
	Évacuation	Vérifiez que l'évacuation est exempte d'obstructions, suivez les directives d'installation.

INSTRUCTIONS D'ENTRETIEN PRÉVENTIF

CHAQUE JOUR

1. Nettoyez le filtre à charpie. Utilisez une brosse souple si nécessaire.
2. Vérifiez que le filtre à charpie est exempt de déchirures. Remplacez-le si nécessaire.
3. Éliminez les charpies du compartiment du filtre à charpie.
4. Inspectez le joint en feutre sur le filtre à charpie. Remplacez-le si nécessaire.

CHAQUE MOIS

1. Retirez l'accumulation de charpie des tulipes d'extrémité des moteurs.
2. Éliminez l'accumulation de charpie de la zone de commande avant.
3. Éliminez l'accumulation de charpie et de saleté du dessus de la sécheuse et de toutes les zones supérieures, inférieures et autour des brûleurs et du carter du brûleur. Tout manquement à la propreté de ces zones de la sécheuse peut entraîner une accumulation de charpie qui crée un risque de feu.

CHAQUE TRIMESTRE

1. Vérifiez que les courroies ne sont pas desserrées, usées ni effilochées.
2. Vérifiez que le joint de la porte en verre n'est pas excessivement usé.
3. Vérifiez que toutes les attaches maintenant les pièces sont bien serrées au canal de support.
4. Vérifiez que toutes les vis sont bien serrées.
5. Vérifiez que les aubes du moteur sont bien fixées au moyeu.
6. Retirez l'assemblage du commutateur de débit d'air et vérifiez que les boulons traversants du tambour sont bien serrés.
7. Graissez les goupilles de pivot et les bras de tension au niveau de leurs points de contact (le cas échéant).

DEUX FOIS PAR AN

1. Retirez et nettoyez les brûleurs principaux.
2. Retirez tous les trous et vérifiez l'absence de saleté et d'obstructions.
3. Éliminez toute accumulation de charpie. Retirez le panneau avant et le boîtier du filtre à charpie et éliminez l'accumulation de charpie.
4. Appliquez quelques gouttes d'huile à chaque entretoise de l'assemblage du bras de tension (le cas échéant).

CHAQUE ANNÉE

1. Vérifiez que les roulements de la poulie intermédiaire ne sont pas usés.
2. Vérifiez et éliminez toute accumulation de charpie du système d'évacuation.
3. Graissez les roulements et l'arbre de la poulie d'entraînement intermédiaire. Utilisez un pistolet graisseur Alemite et de la graisse Molykote BR2-S (le cas échéant).

PIÈCES DE RECHANGE

NUMÉRO DE PIÈCE

	T-20X2	T-30X2	T-50X2	T-50X2 REV
COURROIE D'ENTRAÎNEMENT, MOTEUR	9040-076-012	9040-077-001	9040-076-009	---
COURROIE D'ENTRAÎNEMENT, TAMBOUR	9040-073-013	9040-073-009	9040-073-011	9040-076-003
FILTRE À CHARPIE	9555-057-011	9555-057-002	9555-057-008	9555-057-008

Pour obtenir des renseignements relatifs à l'entretien et aux pièces, communiquez avec votre agent Dexter local. Pour trouver votre agent Dexter local, utilisez la fonction de localisation des revendeurs du site Web affiché ci-dessous. Si aucun agent Dexter n'est disponible, communiquez directement avec **Dexter Laundry, Inc.** par l'un des moyens énumérés ci-dessous :

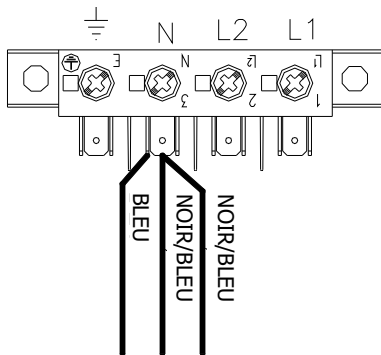
Adresse postale : 2211 West Grimes Avenue Téléphone : 1-800-524-2954
Fairfield, IA 52556
États-Unis

Site Web : www.dexter.com

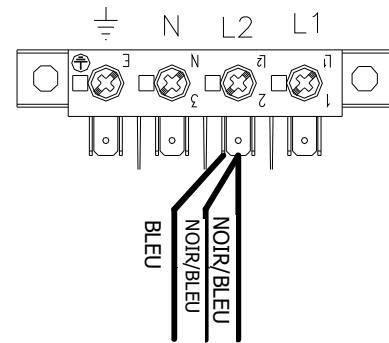
Instructions – Convertir une sècheuse superposée à double tension de 120 V en 208-240 V (aucun neutre requis, -15 MODÈLES)

1. Coupez l'alimentation de la sècheuse. Utilisez un voltmètre en bon état de marche pour vérifier l'alimentation.
2. Retirez le couvercle du boîtier de commande de la sècheuse à l'aide d'une clé de 5/16 po.
3. Déplacez le fil noir/bleu ET le fil bleu de la position N du bornier d'alimentation principale vers la position L2 du bornier d'alimentation principale dans le boîtier de commande supérieur. Consultez la figure ci-dessous.
4. Déplacez le fil blanc/rouge du harnais de moteur supérieur vers une borne interne en haut à gauche du bornier situé au milieu du boîtier de commande inférieur. Consultez la figure ci-dessous.
5. Déplacez le fil orange du harnais de moteur supérieur vers une borne interne en haut à gauche du bornier situé au milieu du boîtier de commande inférieur. Consultez la figure ci-dessous.
6. Déplacez le fil blanc/rouge du harnais de moteur inférieur vers une borne interne en bas à gauche du bornier situé au milieu du boîtier de commande inférieur. Consultez la figure ci-dessous.
7. Déplacez le fil orange du harnais de moteur inférieur vers une borne interne en bas à gauche du bornier situé au milieu du boîtier de commande inférieur. Consultez la figure ci-dessous.

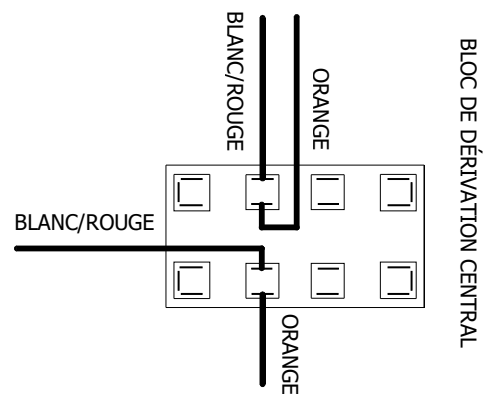
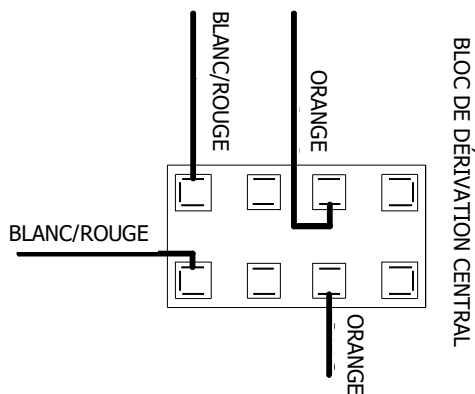
Vous trouverez la suite des instructions de conversion à la page suivante.



110 – 120 V (L1, N)

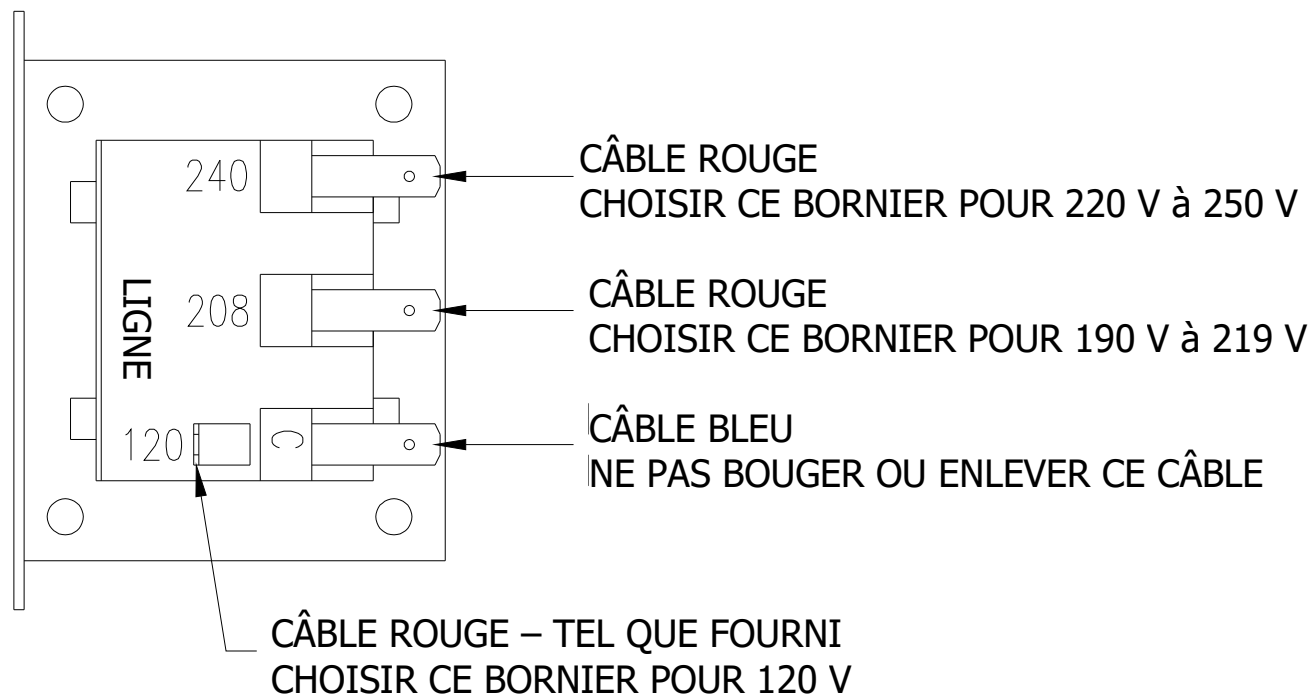


208 – 240 V (L1, N2)



8. Déplacez le fil rouge de la prise 120 V du transformateur situé au fond du boîtier de commande vers la prise de tension requise en fonction de la mesure de tension d'alimentation réelle. Consultez la figure ci-dessous.

RACCORDEMENTS DU TRANSFORMATEUR
DE COMMANDE
VUE DU CÔTÉ DU TRANSFORMATEUR



9. Remettez la sécheuse sous tension et testez-la pour vous assurer qu'elle fonctionne correctement; une tension secteur vers L1, une tension secteur vers L2 et la masse vers E.
10. Remettez le couvercle du boîtier de commande sur la sécheuse à l'aide d'une clé de 5/16 po.