



# Section: 10

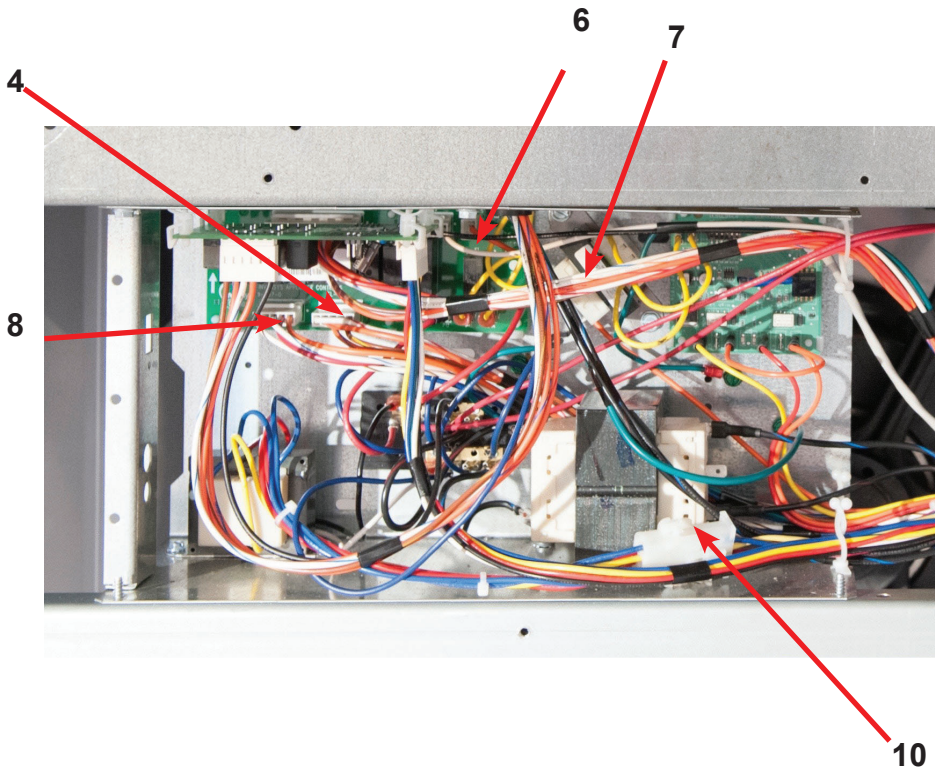
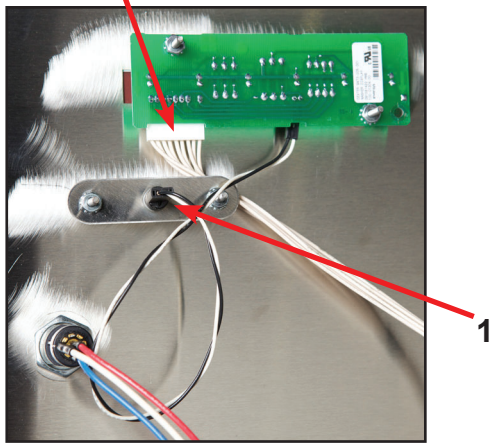
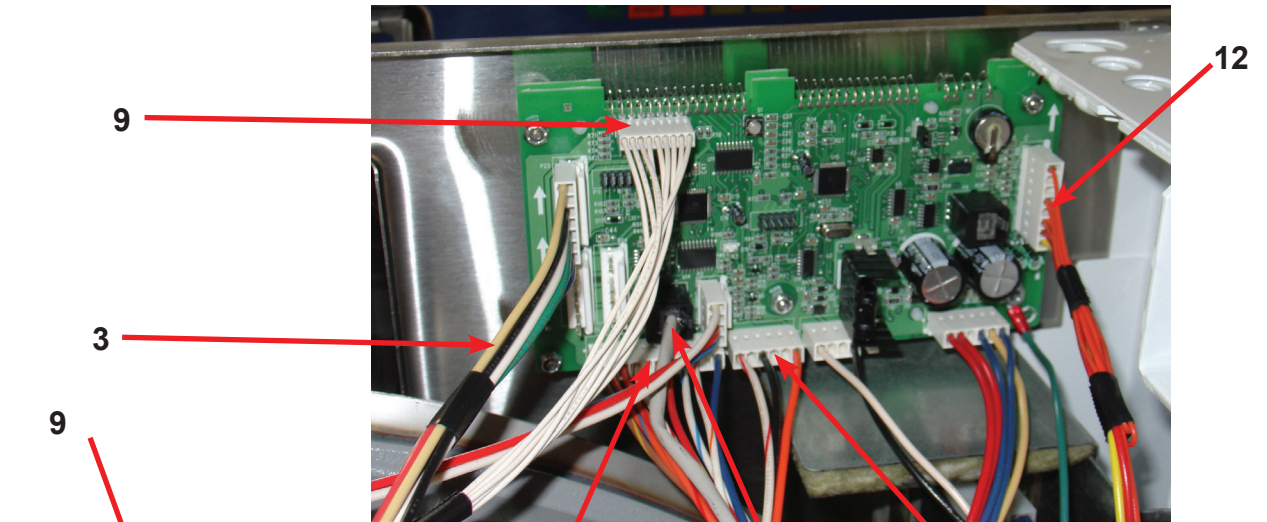
## Washer Parts

## SWD Accessories T-750

| Key | Description                              | Part Number  | Qty |
|-----|--|--------------|-----|
| *   | Hose, Water Supply 5/8" I.D. x 48"       | 9990-027-013 | 2   |
| *   | Washer, Inlet Hose (furnished)           | 8641-242-000 | 2   |
| *   | Strainer, Inlet Hose (furnished)         | 9565-003-001 | 1   |
| *   | Sealing compound                         | 8538-151-002 | 1   |
| *   | TORX#20                                  | 8545-051-002 | 1   |
| *   | Flow Restrictors (in dispenser )         | 9475-002-003 | 3   |
| *   | Battery 3V Lithium (used on Control PCB) | 8612-001-001 | 1   |
| *   | OPL Bearing & Seal Kit                   | 9732-219-007 | 1   |
| *   | Mode Light Support                       | 9635-022-001 | 1   |

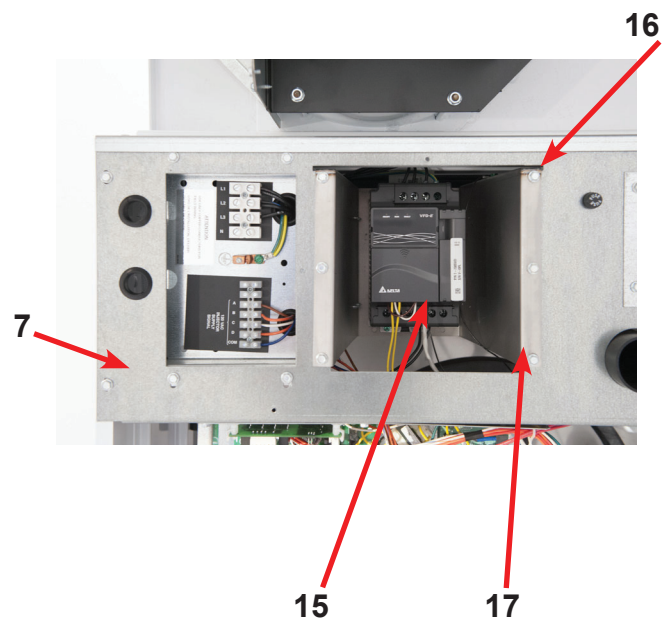
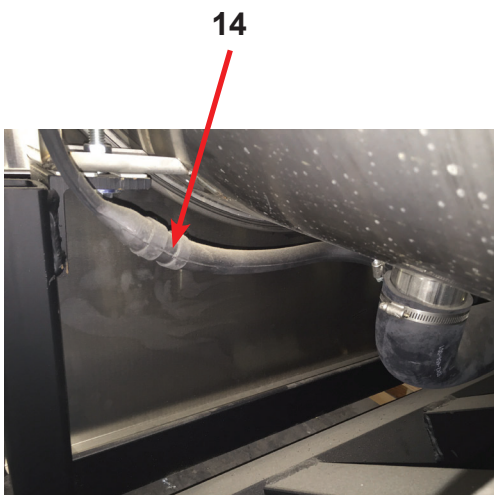
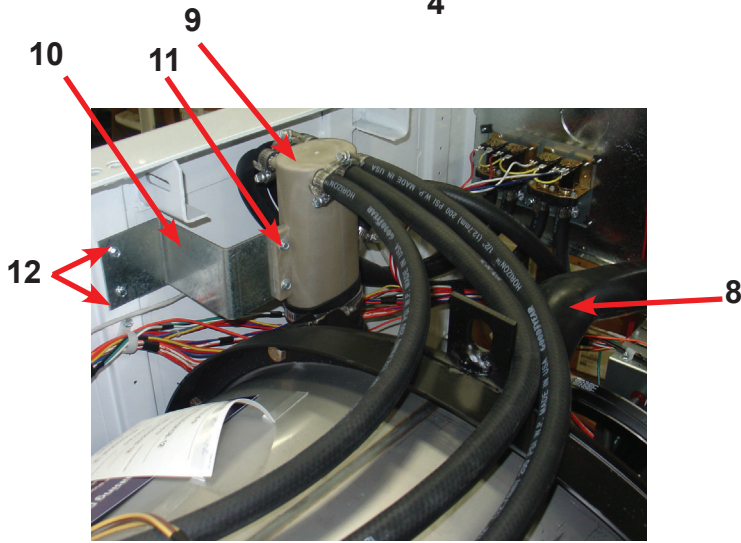
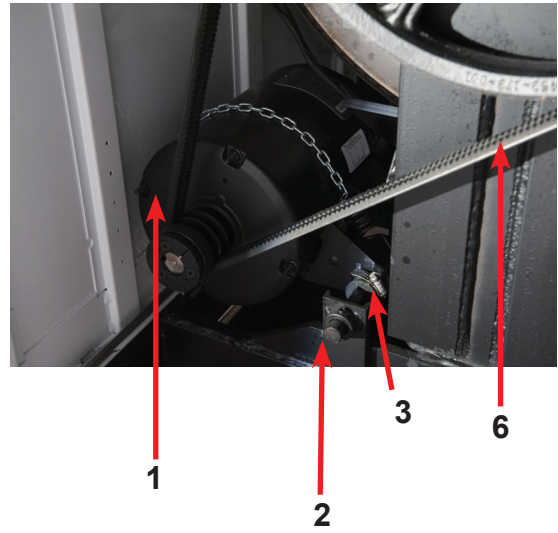
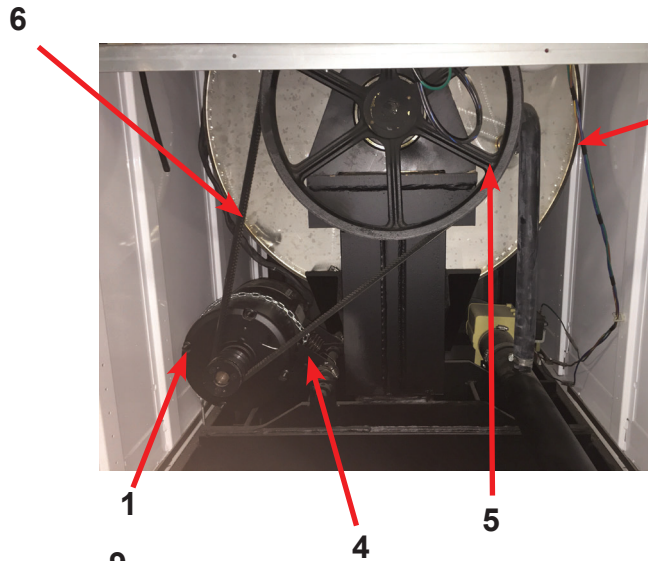
## Wiring Harnesses Parts

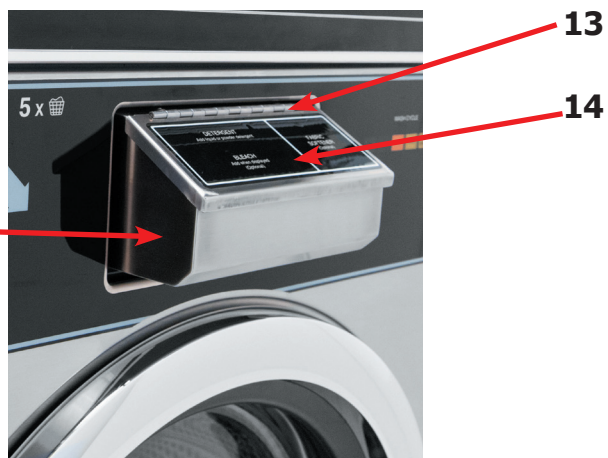
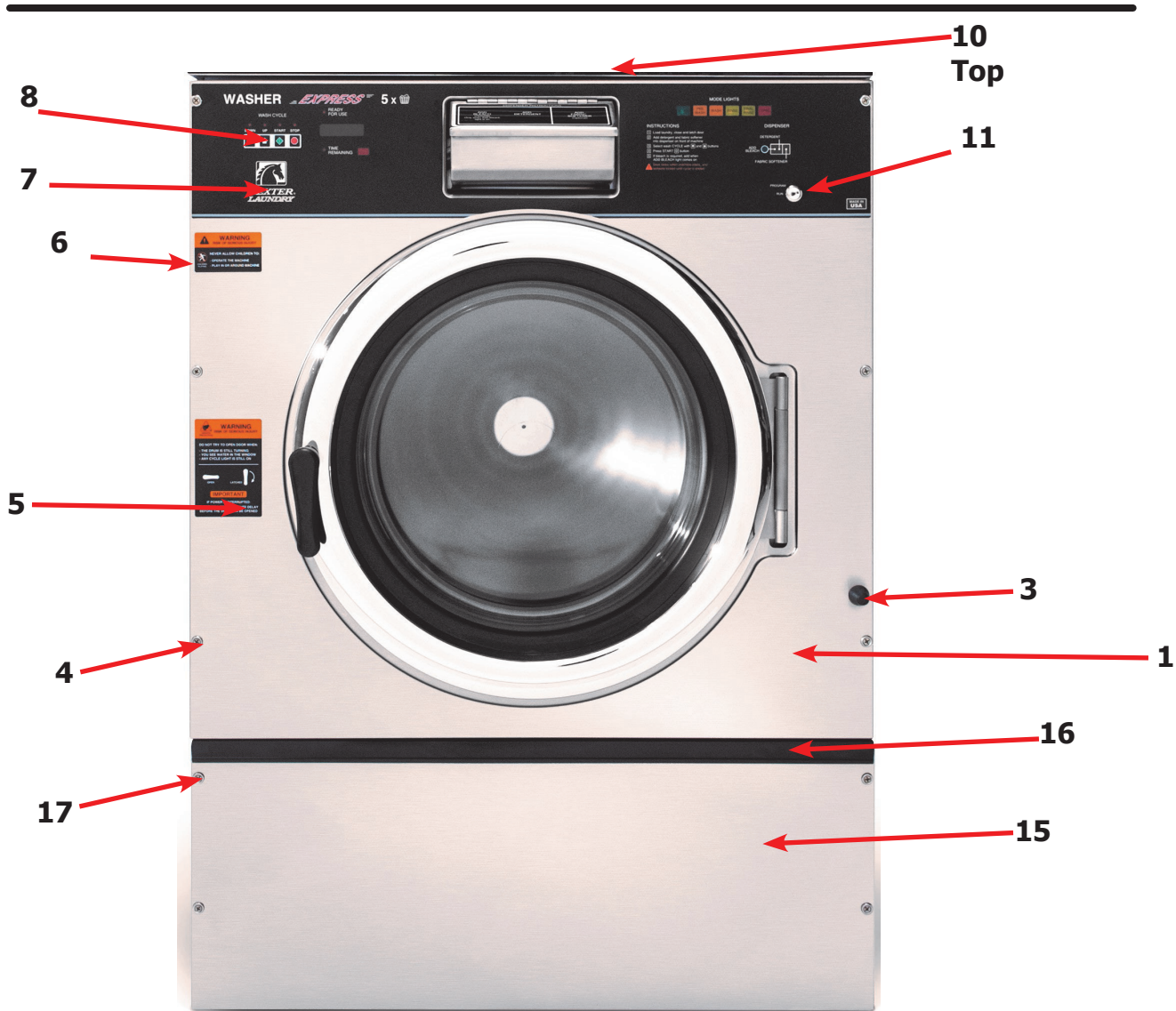
| Key | Description   | Part Number  | Qty |
|-----|---|--------------|-----|
| 1   | Add Bleach Light, (Wiring Harness included)                           | 9794-001-001 | 1   |
| 2   | Wiring Harness, Door Lock P15/P4                                      | 9627-816-003 | 1   |
| 3   | Wiring Harness, Optional Relay Board (Soap Injection)                 | 9627-835-001 | 1   |
| *   | Wiring Harness, Optional Relay Board to Soap Injection terminal block | 9627-799-001 | 1   |
| 4   | Wiring Harness, Drain,Thermo,Door Gear Motor P17                      | 9627-820-002 | 1   |
| 5   | Data Cable  | 9806-015-002 | 1   |
| 6   | Wiring Harness P20/P21  | 9627-818-002 | 1   |
| 7   | Wiring Harness P8/P16   | 9627-819-001 | 1   |
| 8   | Wiring Harness Water Valve/P19  | 9627-795-004 | 1   |
| 9   | Wiring Harness LED PCB  | 9627-821-001 | 1   |
| *   | Wire Yellow Jumper (water valve)                                      | 8220-123-001 | 1   |
| *   | Harness Power Terminal Block  | 9627-747-003 | 1   |
| 10  | Harness-Extention, Transformer  | 9627-826-001 | 1   |
| 12  | Harness-P5/Pressure Switch  | 9627-807-002 | 1   |
| *   | Circuit Breaker 7 AMP   | 5198-211-002 | 1   |
| *   | Wiring label-schematic  | 9506-800-001 | 1   |



# WNS 750 Rear View Access Parts Group Part #

| Key | Description                             | Part Number  | Qty |
|-----|---|--------------|-----|
| 1   | Drive Motor, 3 Phase (Inverter duty)    | 9376-329-001 | 1   |
| 2   | Rod, Motor Mtg                          | 9497-222-004 | 1   |
| 3   | Motor Bushing (Rubber)                  | 9053-082-001 | 2   |
| *   | Clamp-Worm, 316SS, 1.5"                 | 8654-117-019 | 2   |
| 4   | Spring, Belt Tension                    | 9534-151-000 | 1   |
| *   | Chain, Belt Tension                     | 9099-012-003 | 1   |
| *   | Bolt, Eye (1/4"-20x21/2")               | 9545-055-001 | 1   |
| *   | Nut, 1/4 Elastic Stop                   | 8640-414-003 | 1   |
| *   | Pulley, Motor                           | 9453-179-001 | 1   |
| *   | Bushing-split taper                     | 9053-077-001 | 2   |
| *   | Screw-Motor pulley 1/4 20x1             | 9545-018-024 | 1   |
| 5   | Pulley, Driven                          | 9453-173-002 | 1   |
| *   | Screw 5/8-11x2"                         | 9545-060-004 | 1   |
| *   | Lockwasher 5/8"                         | 8641-582-018 | 1   |
| *   | Washer, Flat 5/8x2 1/4"                 | 8641-581-032 | 2   |
| 6   | Drive Belt                              | 9040-076-008 | 2   |
| 7   | Channel, Rear                           | 9081-180-001 | 1   |
| *   | Screw                                   | 9545-008-026 | 4   |
| *   | Nut, Spring                             | 8640-399-007 | 4   |
| *   | Hose, Overflow to drain                 | 9242-449-003 | 1   |
| *   | Clamp, Hose overflow to drain           | 8654-117-018 | 2   |
| 8   | Hose, Overflow Vent Top                 | 9242-463-005 | 1   |
| *   | Clamp, Hose Vent                        | 8654-117-008 | 1   |
| 9   | Vacuum Breaker ALL                      | 9610-001-001 | 1   |
| 10  | Bracket, Vacuum Breaker                 | 9029-275-001 | 1   |
| *   | Vacuum Breaker Cap (Red)                | 0935-135-002 | *   |
| 11  | Screw, 12B x 1/2                        | 9545-008-026 | 2   |
| 12  | Screw, 10ABX x 1/2                      | 9545-048-001 | 2   |
| *   | Plastic Plug 7/8" Electrical Connection | 9456-041-006 | 1   |
| 13  | Panel Assy., Back                       | 9454-928-001 | 1   |
| *   | Screw Panel Mtg.#10Bx1/2"               | 9545-008-026 | 11  |
| *   | Screw Panel Mtg.#1/4Bx3/4"              | 9545-030-002 | 3   |
| *   | Nut, Spring                             | 8640-399-004 | 8   |
| 14  | Hose, Pressure Switch                   | 9242-175-008 | 1   |
| *   | Clamp, Pressure Switch Hose             | 8654-117-015 | 1   |
| *   | Anchor-wire tie                         | 9004-007-001 | 1   |
| *   | Strap-tie adjustable                    | 9544-040-001 | 1   |
| 15  | VFD Delta "E" drive 208-240 volt        | 9375-028-025 | 1   |
| *   | VFD Cooling Fan                         | 9189-013-001 | 1   |
| 16  | Braking resistors (160 ohm)             | 9483-004-003 | 2   |
| 17  | Bracket assembly (drive mounting)       | 9985-119-002 | 1   |
| *   | VFD, MS300, V4                          | 9375-036-019 | 1   |
| *   | VFD Cooling Fan                         | 9189-016-001 | 1   |
| *   | Data Cable, MS300, V4                   | 9806-026-003 | 1   |





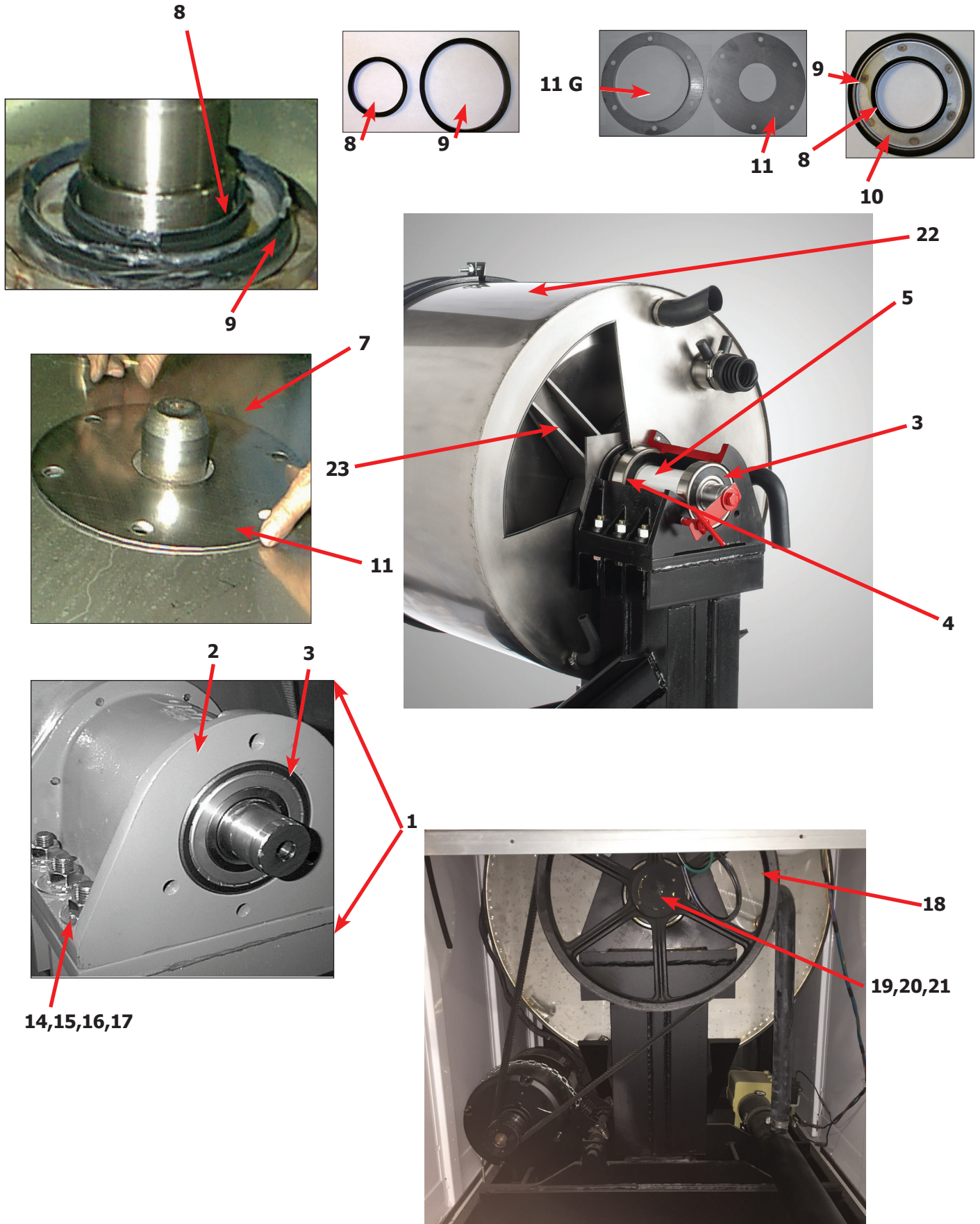
## Cabinet and Front Panel Group

| Description |  | Part Number  | Qty |
|-------------|--|--------------|-----|
| *           | Panel, Right Side-Painted                                | 9989-574-002 | 1   |
| *           | Panel, Left Side - Painted                               | 9989-575-002 | 1   |
| *           | Strap assy-studs   | 9966-017-001 | 2   |
| *           | Strap assy-studs   | 9966-019-001 | 2   |
| *           | Shim-Side Panels   | 9552-046-001 | 2   |
| *           | Nut-hex 1/4-20unc,2b                                     | 8640-414-006 | 10  |
| 1           | Panel Assy, Front  | 9989-579-001 | 1   |
| *           | Trim Edge Protector                                      | 9578-092-005 | 1   |
| 3           | Bumper Loading Door                                      | 9051-055-001 | 1   |
| 4           | Screw, 10bx1 3/4   | 9545-008-014 | 6   |
| *           | Washer Finish  | 8641-585-001 | 6   |
| *           | Nut, Spring-To Front Panel                               | 8640-442-001 | 10  |
| 5           | Label, Door Opening, Black                               | 8502-757-001 | 1   |
| 6           | Label, Risk of Injury, Black                             | 8502-759-001 | 1   |
| 7           | Nameplate Decal, Control Panel, Black                    | 9412-234-001 | 1   |
| 8           | Button, Push Control, Black                              | 9035-062-003 | 1   |
| 10          | Panel Top, Front, Painted                                | 9989-576-002 | 1   |
| *           | Screw, Hex, #10B x 1/2                                   | 9545-008-026 | 12  |
| *           | Cover Top Rear   | 9074-367-001 | 1   |
| *           | Screw, Hex, #10B x 1/2                                   | 9545-008-026 | 4   |
| 11          | Lock-Run/program w/harness                               | 8650-027-001 |     |
| 12          | Soap Dispenser Assembly, Complete (Does not include lid) | 9807-087-001 | 1   |
| *           | Soap Box mounting Gasket                                 | 9206-425-001 | 1   |
| 13          | Lid Assembly soap box                                    | 9987-104-001 | 1   |
| *           | Lid screws #10-32x1/2 SS                                 | 9545-012-017 | 2   |
| *           | Nut Hex Elasticstop #10-32 SS                            | 8640-413-006 | 6   |
| *           | Bracket Soap box mounting                                | 9029-122-002 | 1   |
| *           | Softener siphon tube (plastic)                           | 9574-252-002 | 1   |
| *           | Flow restrictors   | 9475-002-003 | 3   |
| 14          | Label, Dispenser Instructions, Black                     | 8502-756-001 | 1   |
| 15          | Door, Lower Service                                      | 9108-137-001 | 1   |
| 16          | Handle, Lower Service Door                               | 9244-086-003 | 1   |
| 17          | Screw, 10bx 1 3/4  | 9545-008-014 | 4   |
| *           | Washer Finish  | 8641-585-001 | 6   |

## Cylinder, Seals & Bearings Part # by Model

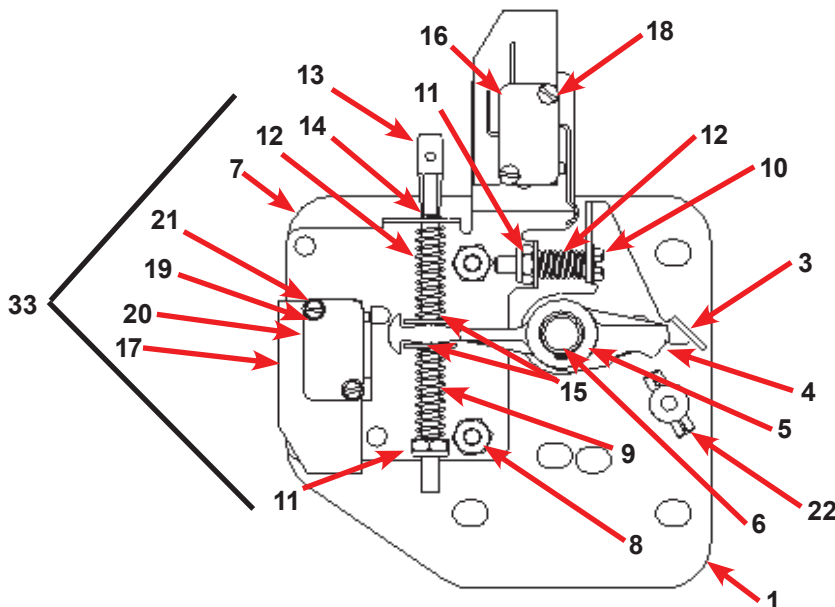
| Key | Description  | T-750        | QTY |
|-----|--|--------------|-----|
| 1   | Bearings and Seal Kit  | 9732-219-007 | 1   |
| *   | Housing, Bearing- Assembly (items #2-#6)                           | 9803-187-001 | 1   |
| 2   | Housing, Bearing   | 9241-181-004 | 1   |
| 3   | Bearing, (Small)   | 9036-159-006 | 1   |
| 4   | Bearing, Front (Large)   | 9036-159-005 | 1   |
| 5   | Spacer, Bearing  | 9538-170-001 | 1   |
| 6   | Ring, Bearing Retainer   | 9487-238-004 | 1   |
| 8   | Seal, Small V85A   | 9532-140-007 | 1   |
| 9   | Seal, Large V140A  | 9532-140-008 | 1   |
| 10  | Ring, Seal Mounting  | 9950-052-001 | 1   |
| 11  | Tub Back Mating Ring   | 9487-261-004 | 1   |
| 11G | Mating Ring Guard Shield   | 9487-266-001 | 1   |
| 12  | Bolt, Tub End of Bearing Housing (7/16-14x1), Bolt from inside Tub | 9545-059-004 | 6   |
| 13  | Washer, Flat   | 8641-581-034 | 6   |
| 14  | Screw-Hex Cap, 3/4"-10 x 3" (Bearing Housing to Frame)             | 9545-057-002 | 6   |
| 15  | Washers Spherical 3/4 (Male half) (Bearing Housing to Frame)       | 8641-588-001 | 6   |
| 16  | Washers Spherical 3/4 (Female half) (Bearing Housing to Frame)     | 8641-588-002 | 6   |
| 17  | Nut 3/4"-10 (Bearing Housing to Frame)                             | 8640-418-003 | 6   |
| 18  | Pulley, Driven   | 9453-173-002 | 1   |
| *   | Tolerance Ring   | 9487-234-004 | 1   |
| *   | Screw, 5/8"-11 x 2"  | 9545-060-004 | 1   |
| 19  | Washer-Flat .675x2-1/2x1/4   | 8641-581-032 | 1   |
| 20  | Lockwasher-Exttooth, 5/8   | 8641-582-018 | 1   |
| 21  | Bolt, 5/8-11x1 1/2   | 9545-060-004 | 1   |
| 22  | Tub & Cylinder Assy  | 9869-036-001 | 1   |
| 23  | Cylinder Assy  | 9848-136-002 | 1   |
| *   | Tub Front  | 9974-011-002 | 1   |
| *   | Gasket, Tub Front  | 9206-421-002 | 1   |
| *   | Ring Assy, Tub Mtg-Front Clamp                                     | 9950-055-001 | 1   |
| *   | Bolt, Top Front Ring 3/8"-16 x 3"                                  | 9545-029-009 | 1   |
| *   | Nut 3/8"-16  | 8640-415-001 | 1   |



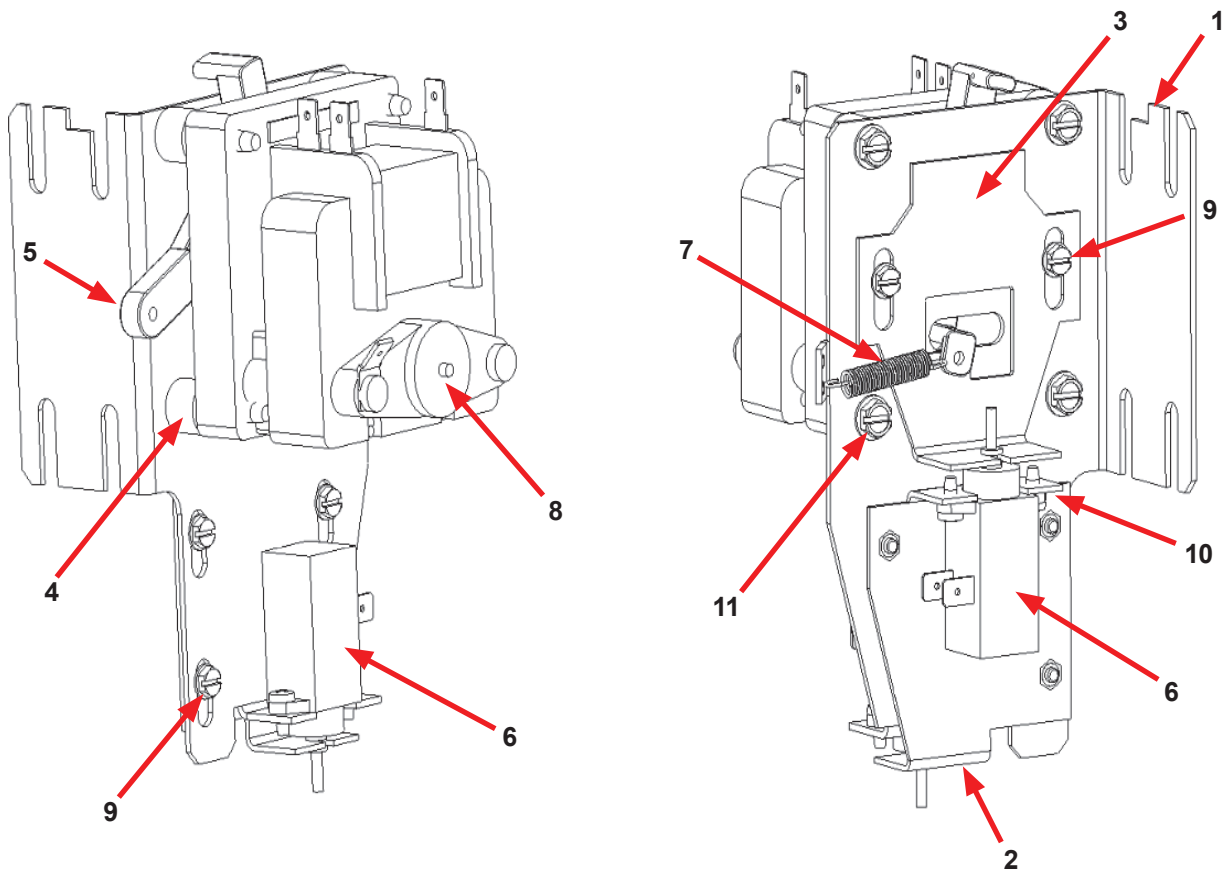


## Door Lock Assembly (continued)

| Key | Description                                       | Part Number  | Qty |
|-----|---|--------------|-----|
| 33  | Lock Assy, Complete (#1-22)(includes #1 thru #22) | 9885-031-001 | 1   |
| 1   | Plate Assy, Door Lock                             | 9982-346-001 | 1   |
| 2   | Washer, Flat                                      | 8641-581-030 | 1   |
| 3   | Actuator, Latching Switch                         | 9008-005-001 | 1   |
| 4   | Pawl, Locking                                     | 9732-346-002 | 1   |
| 5   | Washer, Spring                                    | 8641-569-003 | 1   |
| 6   | Ring, Retaining                                   | 9487-200-004 | 1   |
| 7   | Bracket Switch                                    | 9029-163-001 | 1   |
| 8   | Nut, Hex 10-32 UNF                                | 8640-413-002 | 2   |
| 9   | Spring, Actuating                                 | 9534-364-002 | 1   |
| 10  | Screw, Hx. 10-32 x 1"                             | 9545-012-020 | 1   |
| 11  | Nut, Elastic Stop 10-32                           | 8640-413-004 | 2   |
| 12  | Spring, Return                                    | 9534-364-001 | 2   |
| 13  | Pin, Guide  | 9451-193-001 | 1   |
| 14  | Ring, Retaining                                   | 9487-200-005 | 1   |
| 15  | Washer  | 8641-581-031 | 1   |
| 16  | Switch, Latching Sensing                          | 9539-461-008 | 1   |
| 17  | Shield, Switch                                    | 9550-169-003 | 3   |
| 18  | Screw 4-40 x 5/8"                                 | 9545-020-001 | 2   |
| 18  | Nut, Twin 4-40                                    | 8640-401-001 | 1   |
| 19  | Switch, Locking Sensing                           | 9539-461-007 | 2   |
| 20  | Actuator, Switch Locking                          | 9008-006-003 | 1   |
| 21  | Screw 4-40 x 1 1/8"                               | 9545-020-003 | 2   |
| 21  | Nut, Twin 4-40                                    | 8640-401-001 | 1   |
| *   | Spacer Sensor                                     | 9538-182-001 | *   |
| *   | Shim, Door Lock, Thin                             | 9552-037-001 | AR  |
| *   | Screw, Lock mtg 1/4"-20 x 3/4"                    | 9545-018-014 | 3   |
| *   | Lockwasher 1/4" Ext tooth                         | 8641-582-007 | 3   |



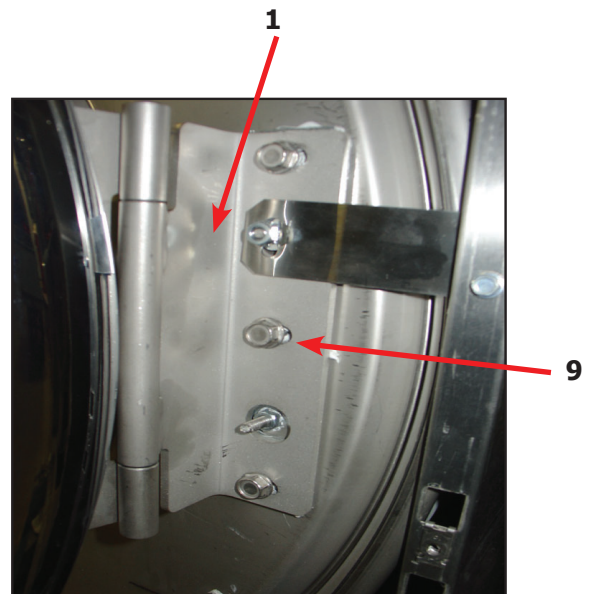
# Gear Motor Door Lock Assembly



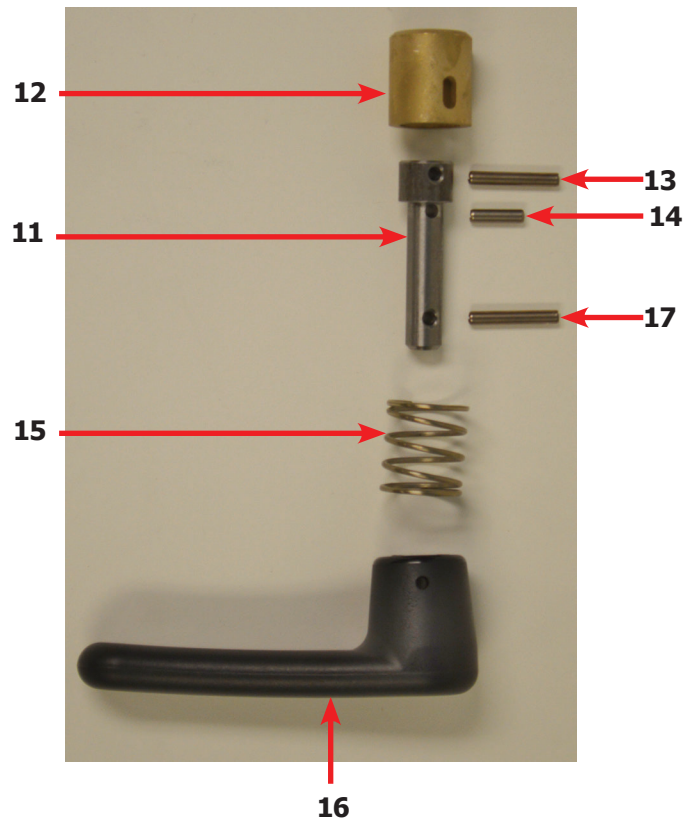
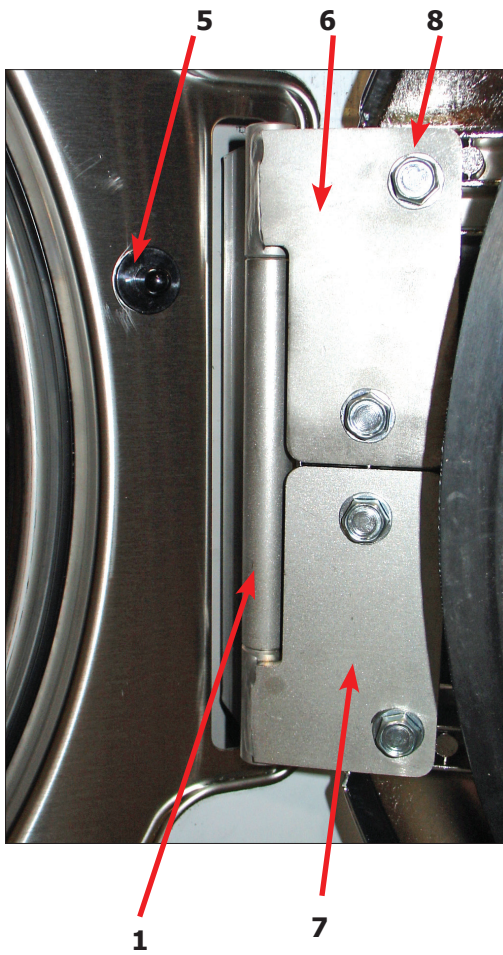
| Key | Description   | T-750        | QTY |
|-----|---|--------------|-----|
| *   | Actuator Assembly (Includes 1-10, Rod NOT included) | 9892-017-002 | 1   |
| 1   | Bracket Assy, Slide Lock Actuator                   | 9985-199-001 | 1   |
| 2   | Bracket Assy, Slide - Unlock                        | 9985-196-001 | 1   |
| 3   | Bracket Slide Lock                                  | 9029-278-001 | 1   |
| 4   | Spacer, Plastic                                     | 9538-157-021 | 4   |
| 5   | Arm - Door Lock                                     | 9001-063-001 | 1   |
| 6   | Thermoactuator - Door Lock Relay 24v                | 9586-001-003 | 2   |
| 7   | Spring - Extension                                  | 9534-350-001 | 1   |
| 8   | Motor & Gear Assembly 24v                           | 9914-137-014 | 1   |
| 9   | Screw -HxwshrhdsIsems, 6-32 x 3/16                  | 9545-044-003 | 6   |
| 10  | Cross Recessed PAn Hd Tapping screw                 | 9545-031-011 | 4   |
| 11  | Screw hxwshdsl, 10-24 - 1.25f, ctd                  | 9545-046-007 | 4   |
| *   | Rod, Door Lock                                      | 9497-231-001 | 1   |
| *   | Harness, Door Lock/Drain, P17                       | 9627-816-003 | 1   |

# Large Door & Hinge Group

| Key | Description                                    | T-750        | QTY |
|-----|--|--------------|-----|
| 1   | Door Hinge Assembly (mounts to tub front)      | 9955-031-001 | 1   |
| *   | Door Assembly Complete                         | 9960-310-001 | 1   |
| 2   | Door Ring 180 degree large hinge               | 9487-275-001 | 1   |
| 3   | Door Gasket                                    | 9206-431-001 | 1   |
| 4   | Door Glass Window                              | 9635-020-001 | 1   |
| *   | Red Wire (Door Close Switch)                   | 8220-063-028 | 1   |
| *   | Black Wire (Door Close Switch)                 | 8220-063-029 | 1   |
| 5   | Switch, Door Hinge Close (Plunger)             | 9539-492-001 | 1   |
| 6   | Top Door Hinge Leaf                            | 9845-006-001 | 1   |
| 7   | Bottom Door Hinge Leaf                         | 9845-007-001 | 1   |
| 8   | Thrd Form Screw, Door Mtg 5/16" x 5/8"         | 9545-056-002 | 4   |
| 9   | Screw, Loading Door Hinge Mtg (5/16" x3/4" ss) | 9545-014-009 | 3   |
| 9   | Lock Washer, exttooth 5/16                     | 8641-582-009 | 3   |
| *   | Shim Large door                                | 9552-043-001 | 1   |
| *   | Gusset side panel RH                           | 9210-128-003 | 1   |
| *   | Gusset side panel LH                           | 9210-128-002 | 1   |

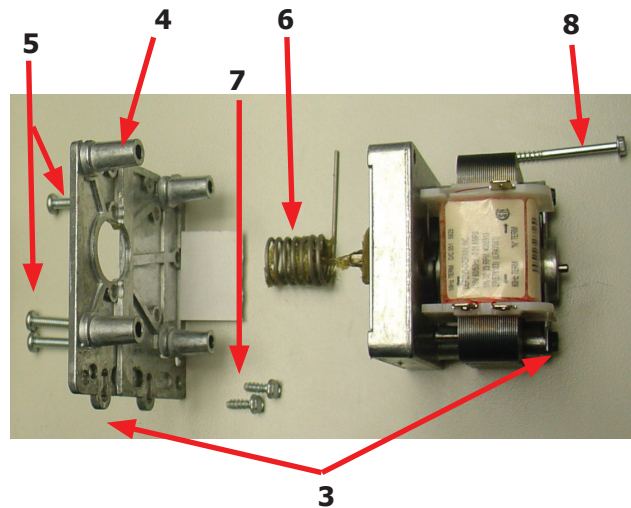
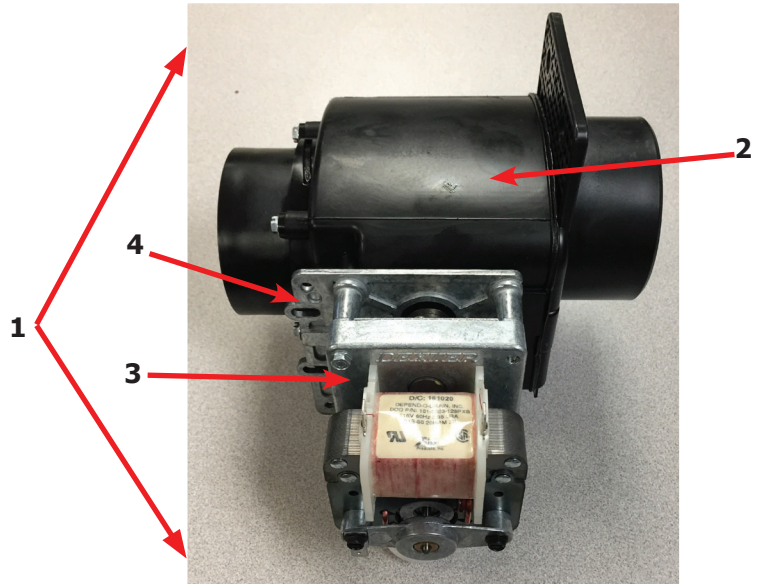
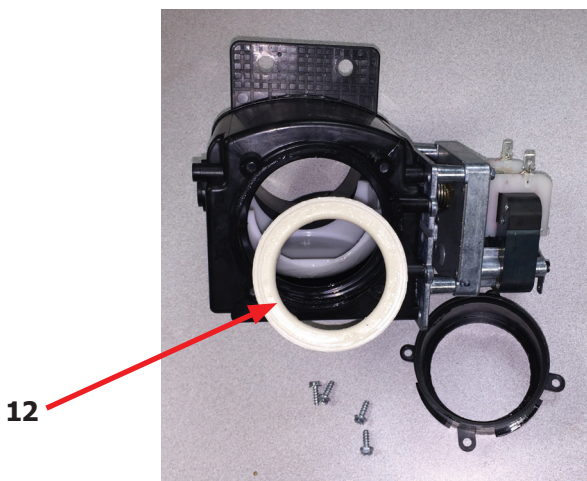


| Key | Description                         | T-750        | QTY |
|-----|-------------------------------------|--------------|-----|
| *   | Shaft Assembly-Loading Door (11-14) | 9913-136-001 | 1   |
| 11  | Shaft, Door Locking                 | 9537-195-002 | 1   |
| 12  | Cam, Locking                        | 9095-051-001 | 1   |
| 13  | Pin, Groove (1 1/4)                 | 9451-181-005 | 1   |
| 14  | Pin, Groove (3/4)                   | 9451-181-004 | 1   |
| 15  | Spring, Lock Cam                    | 9534-360-002 | 1   |
| 16  | Handle, Door                        | 9244-091-001 | 1   |
| 17  | Pin, Door Handle (groove)           | 9451-181-005 | 1   |

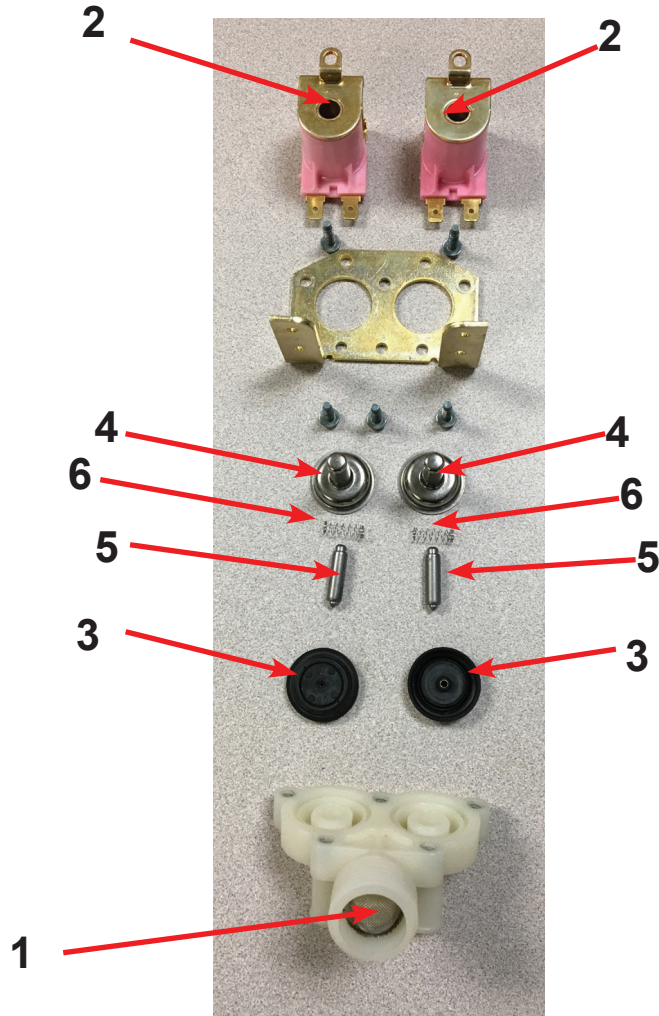


# Drain Valve Group Part # by Model

| Key | Description                         | Part Number  | Qty |
|-----|-------------------------------------|--------------|-----|
| 1   | Valve, Drain (includes #2 thru #11) | 9379-202-002 | 1   |
| 2   | Body, Valve (w/ball)                | 9064-072-001 | 1   |
| 3   | Motor & Gear Train (complete)       | 9914-137-022 | 1   |
| 4   | Plate, Motor Mtg                    | 9452-538-001 | 1   |
| 5   | Screw                               | 8639-994-001 | 1   |
| 6   | Spring, Drive                       | 9534-339-001 | 1   |
| 7   | Screw                               | 9545-054-001 | 1   |
| 8   | Screw                               | 9545-054-002 | 1   |
| 9   | Seal, V Packer                      | 9532-134-001 | 1   |
| 10  | Washer                              | 8641-584-001 | 1   |
| 11  | Pin, Main Drive                     | 9451-196-001 | 1   |
| 12  | Kit - Seal Replacement              | 9732-327-001 | 1   |



# Water Inlet Valve Breakdown

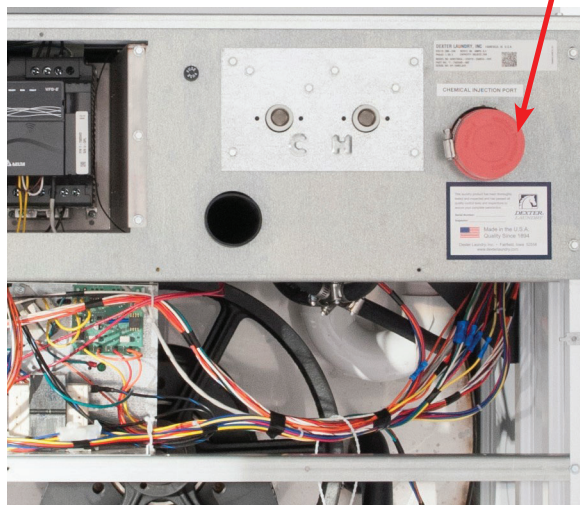


| Key | Description  | Part Number  | QTY |
|-----|--|--------------|-----|
| *   | Valve, Water Inlet (includes 1 thru 6) - <b>Invensys</b> | 9379-183-013 | 2   |
| 1   | Screen, Inlet end of valve                               | 9555-056-001 | 2   |
| 2   | Coil Assy., 24 V Invensys                                | 9089-017-004 | 2   |
| 3   | Diaphragm Invensys (EPDM)                                | 9118-049-003 | 2   |
| 4   | Guide, Solenoid Invensys                                 | 9211-021-002 | 2   |
| 5   | Armature Invensys  | 9015-008-001 | 2   |
| 6   | Spring, Armature Invensys                                | 9534-298-001 | 2   |

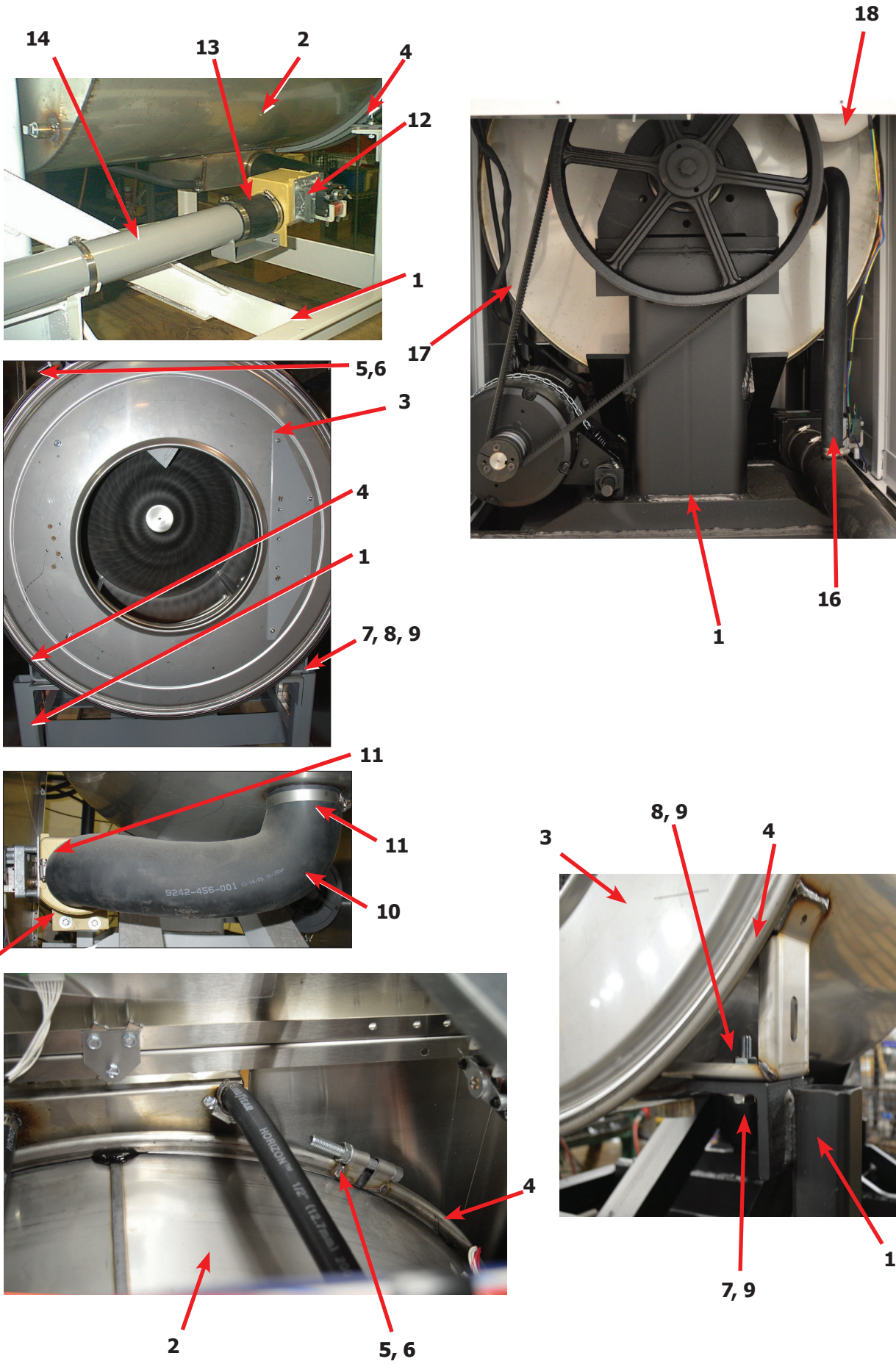
## Chassis and Drain Part # by Model

| Key | Description                                 | T-750        | QTY |
|-----|---|--------------|-----|
| 1   | Base Assy,Frame                             | 9945-144-002 | 1   |
| 2   | Outer Tub Assy                              | 9930-171-001 | 1   |
| *   | Tub & Cylinder Assy                         | 9869-036-001 | 1   |
| 3   | Tub Front                                   | 9974-011-002 | 1   |
| *   | Gasket, Tub Front                           | 9206-421-002 | 1   |
| 4   | Ring Assy, Tub Mtg-Front Clamp              | 9950-055-001 | 1   |
| 5   | Bolt, Top Front Ring 3/8"-16 x 3"           | 9545-029-009 | 1   |
| 6   | Nut 3/8"-16                                 | 8640-415-001 | 1   |
| 7   | Bolt, 1/2" -13 x 2" (Tub Mounting to Frame) | 9545-017-013 | 2   |
| 8   | Nut, Wizloc 1/2" x 13                       | 8640-417-005 | 2   |
| 9   | Washer, Flat 1/2"                           | 8641-581-026 | 2   |
| 10  | Hose, Tub to Drain Valve                    | 9242-456-001 | 1   |
| 11  | Clamp, Hose (Tub to Drain Valve)            | 8654-117-014 | 2   |
| 12  | Valve, Drain                                | 9379-202-002 | 1   |
| *   | Screw, Valve to Base 1/4ABx3/4              | 9545-030-002 | 2   |
| *   | Washer, Flat 1/4                            | 8641-581-018 | 4   |
| 13  | Hose, Drain Valve to Tube                   | 9242-457-001 | 1   |
| *   | Clamp, Hose (Drain Valve to Tube            | 8654-117-014 | 1   |
| 14  | Tube Assy, Drain                            | 9915-131-002 | 1   |
| 15  | Clamp, Hose (Tube to Frame Bracket)         | 8654-117-014 | 1   |
| *   | Screw Tube (Bracket to Base 1/4Bx3/4)       | 9545-030-002 | 4   |
| 16  | Hose, Overflow Tub To Drain Tube            | 9242-449-003 | 1   |
| *   | Clamp, Hose                                 | 8654-117-018 | 1   |
| *   | Tube, Suds overflow                         | 9242-463-005 | 1   |
| *   | Clamp, Hose                                 | 8654-117-008 | 2   |
| 17  | Hose, Pressure switch                       | 9242-175-008 | 1   |
|     | Clamp, Hose                                 | 8654-117-015 | 1   |
| 18  | Injection Assy-Soap                         | 9883-013-001 | 1   |
| *   | Cap- Injector assembly                      | 0935-127-001 |     |

**18**

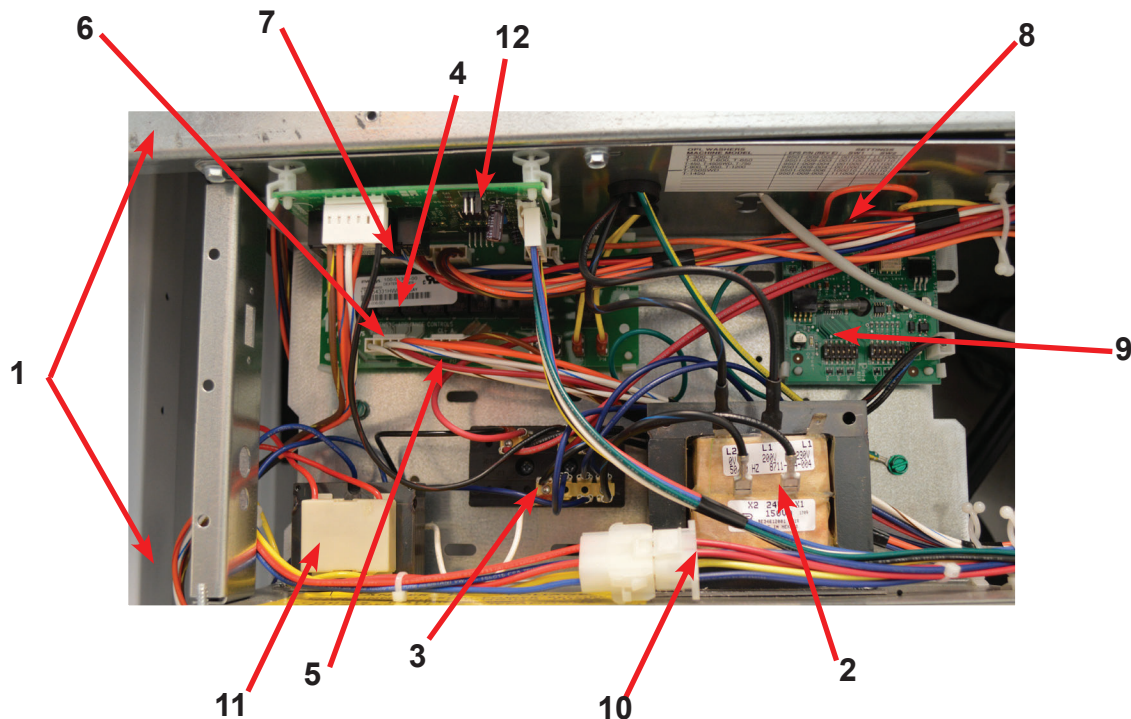






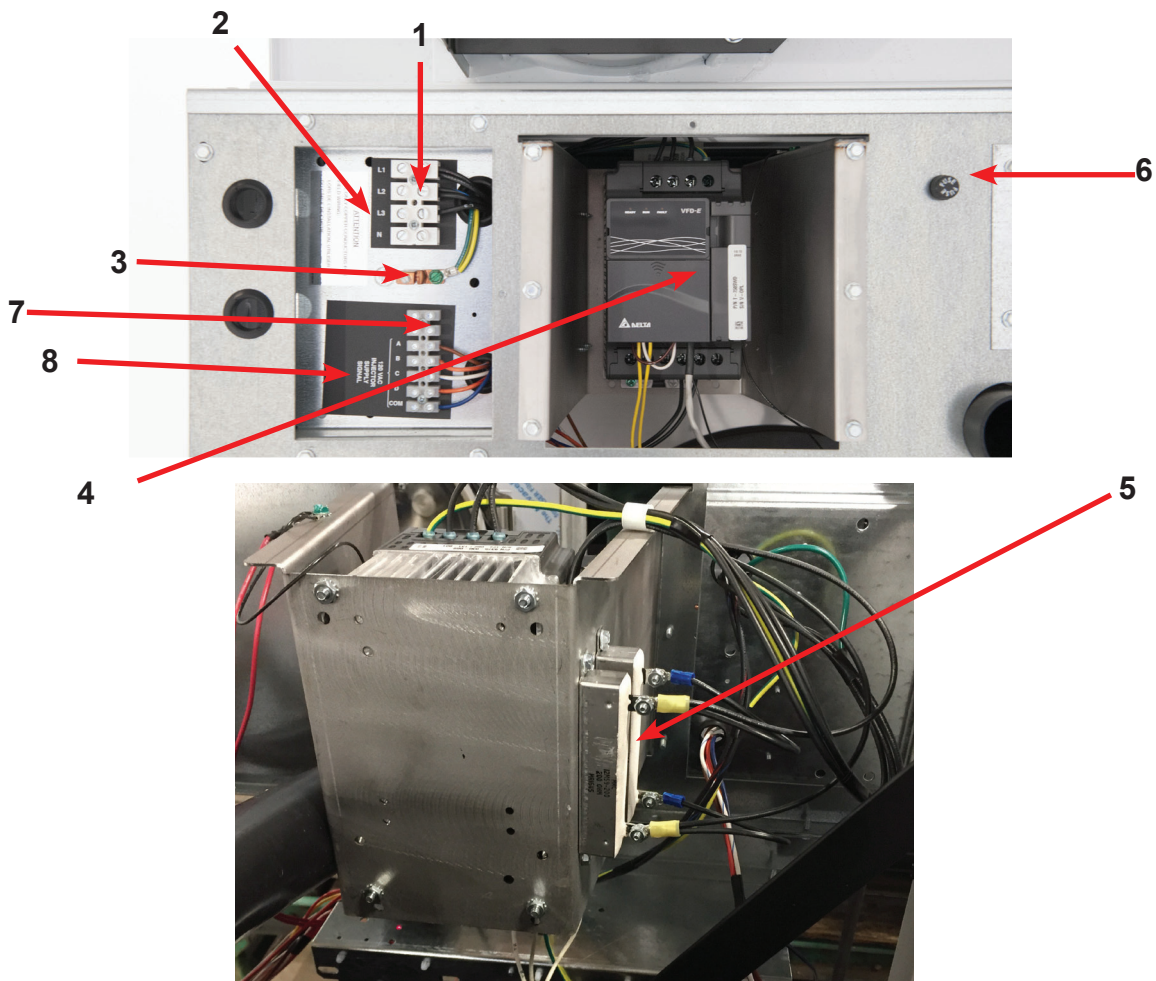
# Electrical Components, Control Trough

| Key | Description  | Part Number  | Qty |
|-----|--|--------------|-----|
| 1   | Trough Assy,Controls 208-240 volt                        | 9857-226-001 | 1   |
|     | Trough only  | 9839-018-001 | 1   |
| 2   | Transformer, Control (208/230/60 Hz In 24 VAC Out Volts) | 8711-004-004 | 1   |
| *   | Wire Assembly, Red 28"                                   | 8220-062-025 | 2   |
| *   | Screw, #10B x 1/2  | 9545-008-026 | 4   |
| *   | Lockwasher #10   | 8641-582-006 | 4   |
| *   | Wire Assembly, BLK/BLU                                   | 8220-001-231 | 1   |
| *   | Wire Assembly, BLK/RED                                   | 8220-001-230 | 1   |
| 3   | Terminal Block Assy, POWER                               | 9897-026-004 | 1   |
| *   | Screw, Mtg 8ABx1/2"                                      | 9545-045-012 | 2   |
| *   | Harness-extention, Transformer                           | 9627-826-001 | 1   |
| *   | Screw, 8B x 1/4"   | 9545-045-001 | 2   |
| *   | Lockwasher-External Tooth, #6                            | 8641-582-005 | 2   |
| *   | Wire Assembly, P12, Red 7"                               | 9631-381-018 | 1   |
| 4   | PCB assembly Relay Main                                  | 9473-006-001 | 1   |
| *   | PCB support 3/8 edge Holding                             | 9548-285-001 | 10  |
| *   | Wiring Harness, Door Lock P15/P4                         | 9627-816-003 | 1   |
| *   | Wiring Assembly Yel. 32" P14 & P13                       | 8220-064-023 | 2   |
| 5   | Wiring Harness, Drain,Thermo,Door Gear Motor P17         | 9627-820-002 | 1   |
| 6   | Wiring Harness Water Valve/P19                           | 9627-795-004 | 1   |
| 7   | Wiring Harness P8/P16                                    | 9627-819-001 | 1   |
| *   | Wiring Harness P20/P21                                   | 9627-818-002 | 1   |
| 8   | Sensor-Pressure Switch                                   | 9732-315-001 | 1   |
| 9   | Harness Assembly, Pressure Switch                        | 9627-807-002 | 1   |
| 10  | Wiring Harness-Main                                      | 9627-914-002 | 1   |
| 11  | Transformer  | 8711-010-003 | 1   |
| 12  | Optional Relay board                                     | 9473-007-001 | 1   |



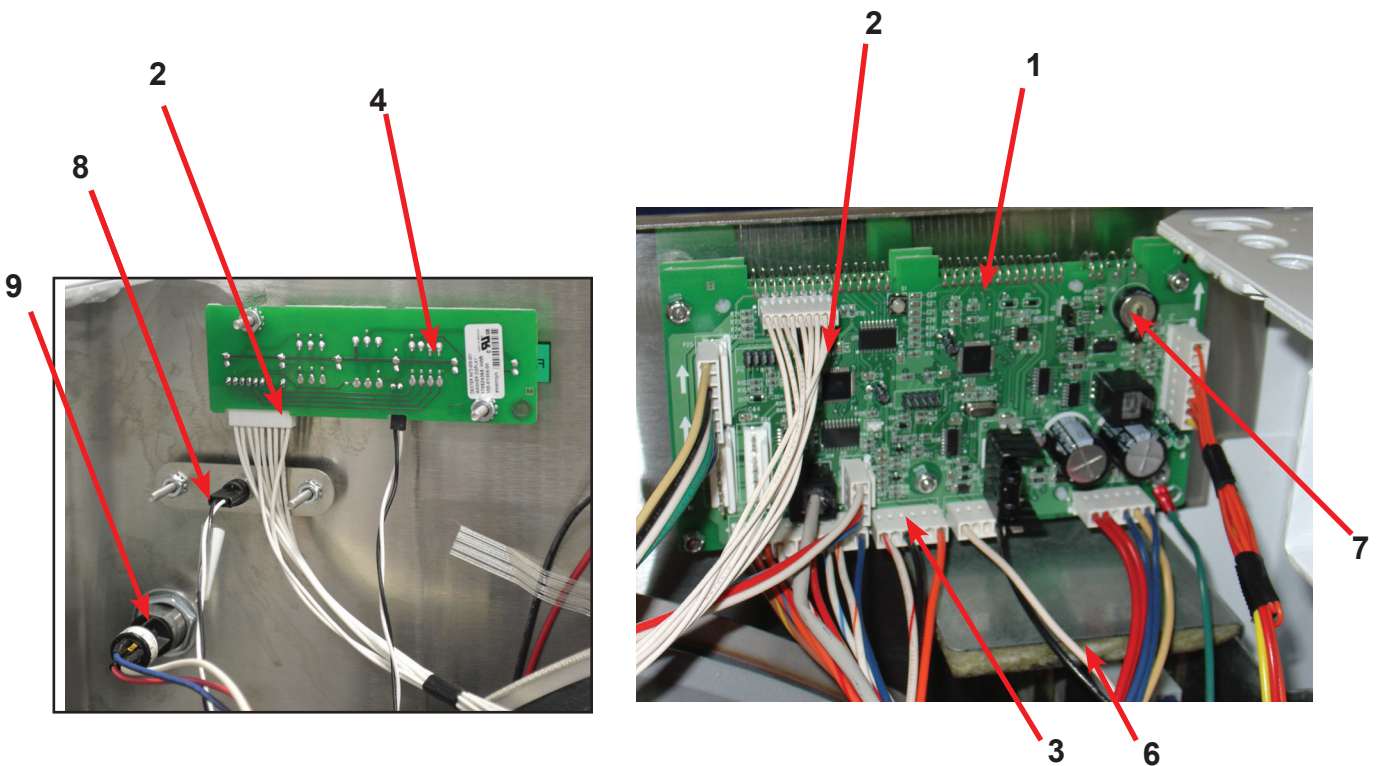
# Electrical Components, Upper Channel

| Key | Description  | Part Number  | Qty |
|-----|--|--------------|-----|
| 1   | Terminal Block Assy, POWER   | 9897-033-002 | 1   |
| *   | Screw, Mtg 6ABx3/4"  | 9495-031-010 | 2   |
| 2   | Strip, Terminal Marker   | 9558-025-001 | 1   |
| 3   | Terminal, Lug-Solderless (Ground)  | 8652-134-001 | 1   |
| *   | Screw, 10-32TTx1/2 Green (Control Trough)                                  | 9545-008-027 |     |
| *   | Wiring Harness Power Terminal To VFD & Control Transformer and ground wire | 9627-747-003 | 1   |
| 4   | VFD Delta drive 208-240 volt   | 9375-028-025 | 1   |
| *   | Cable, Data Communication  | 9806-015-002 | 1   |
| *   | VFD MS300, V4  | 9375-036-019 | 1   |
| *   | Cable, Data Communication, V4 MS300  | 9806-026-003 | 1   |
| *   | Wiring Assembly Yel. 32"   | 8220-064-023 | 2   |
| 5   | Braking resistors (160 ohm)  | 9483-004-003 | 3   |
| *   | Wire Assembly-Jumper, BLK (Breaking Resistors)                             | 8220-117-002 | 2   |
| 6   | Circuit Breaker 1.5 AMP  | 5198-211-002 | 1   |
| 7   | Terminal Block Assy, Injector  | 9897-032-002 | 1   |
| 8   | Strip-termmarker   | 9558-028-002 |     |
|     | Screw-pnhdtrorx 4bx5/8 ss  | 9545-053-002 |     |



## Front Panel Control Group Part #

| Key | Description                                | Part Number  | Qty |
|-----|--|--------------|-----|
| *   | Nameplate,Control Panel Black(one piece)   | 9412-234-001 | 1   |
| 1   | PCB assembly Control /Display              | 9473-004-010 | 1   |
| *   | Spacer Push button (Micro)                 | 9538-192-001 | 1   |
| *   | Retainer Push button (Micro)               | 9486-160-001 | 1   |
| *   | Nut Hexelasticstop #4-40                   | 8640-424-002 | 2   |
| *   | Push button Control (coin)                 | 9035-062-003 | 1   |
| *   | Spacer Plastic #6x9/16                     | 9538-157-018 | 5   |
| *   | Nut Elasticstop #6-32                      | 8640-411-002 | 4   |
| *   | Nut-Hexkeys, #6-32                         | 8640-411-003 | 1   |
| 2   | Harness LEDPCB                             | 9627-821-001 | 1   |
| 3   | Harness Doorlock, Switches                 | 9627-816-003 | 1   |
| 4   | PCB assembly Mode lights                   | 9473-005-001 | 1   |
| *   | Spacer Plastic #6x9/16                     | 9537-157-018 | 2   |
| *   | Nut Hexkeys #6-32                          | 8640-411-003 | 2   |
| 6   | Door Locking Actuator 24 volts             | 9892-017-002 | 1   |
| *   | Hex Nuts (mounting gear motor to control)  | 8640-412-005 | 4   |
| 7   | Battery                                    | 8612-001-001 | 1   |
| 8   | Add Bleach Light (Wiring Harness included) | 9794-001-001 | 1   |
| 9   | Lock Run/Program With Harness              | 8650-027-001 | 1   |

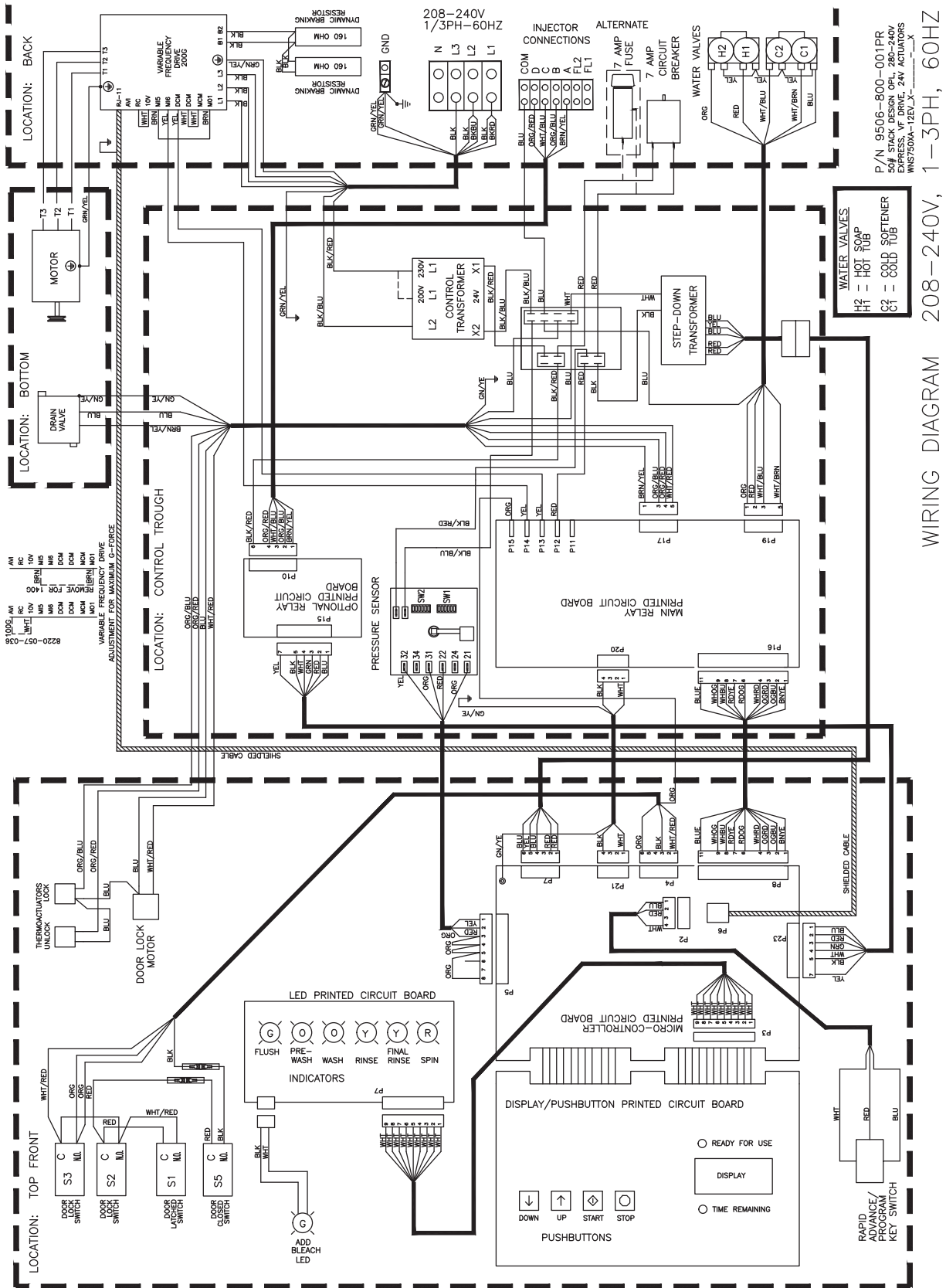


# Labels and Diagrams by Part #

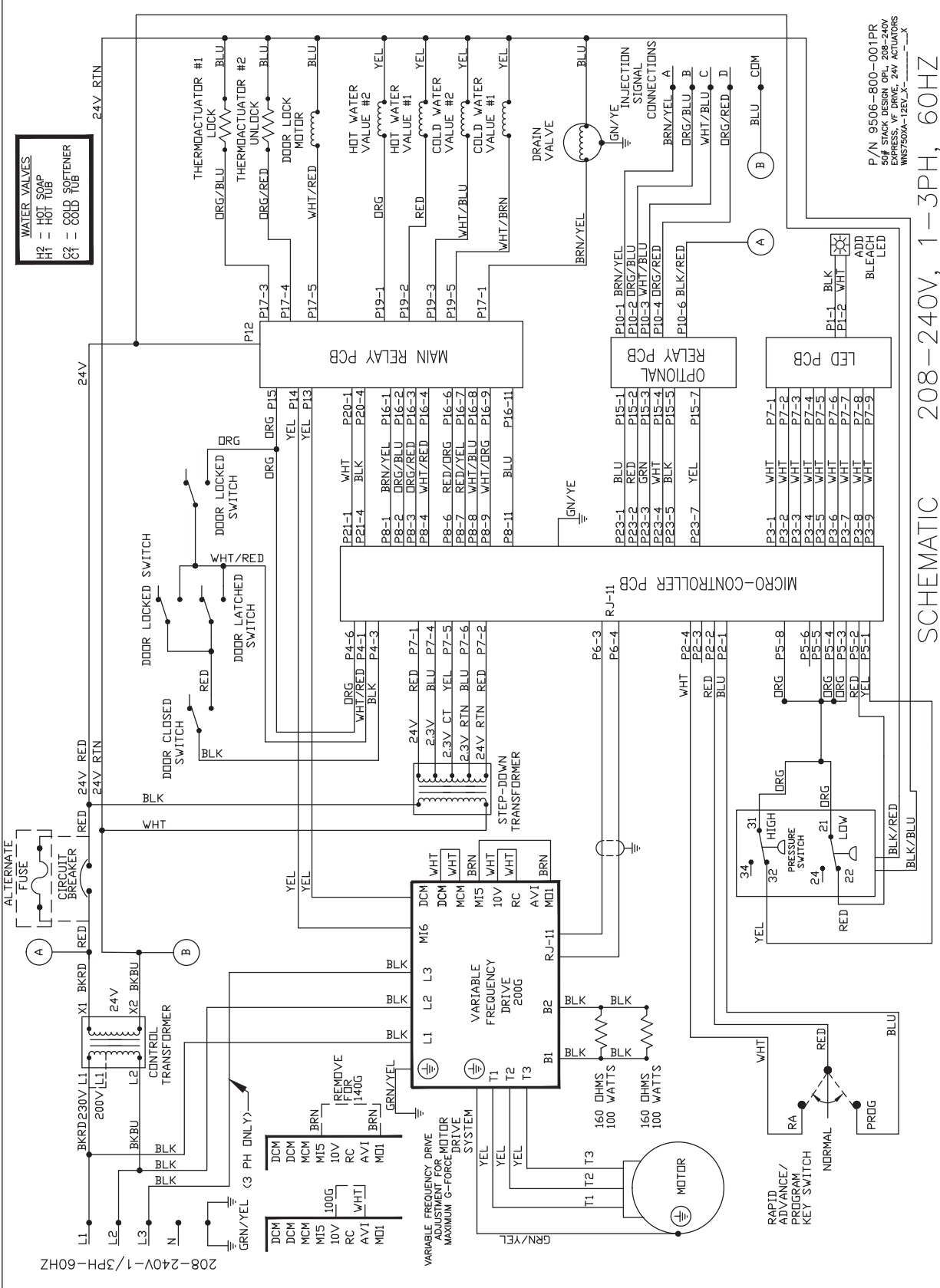
| Key | Description                          | Part Number  | Qty |
|-----|--------------------------------------|--------------|-----|
| *   | Wiring Diagram, OPL                  | 9506-800-001 | 1   |
| 1   | Label High Voltage Warning           | 8502-614-004 | 1   |
| *   | Cover controls                       | 9074-267-001 | 1   |
| 2   | Label Fusing & Installation          | 8502-619-004 | 1   |
| 3   | Label Warning Risk of Injury Black   | 8502-759-001 | 1   |
| 4   | Label Warning Door Opening Black     | 8502-757-001 | 1   |
| *   | Booklet Owners                       | 8514-275-001 | 1   |
| 5   | Label, Dispenser Instructions, Black | 8502-745-001 | 1   |
| 6   | Cover-Motor Control                  | 9074-268-001 | 1   |



# Wiring Schematic for 60hz opl Washer



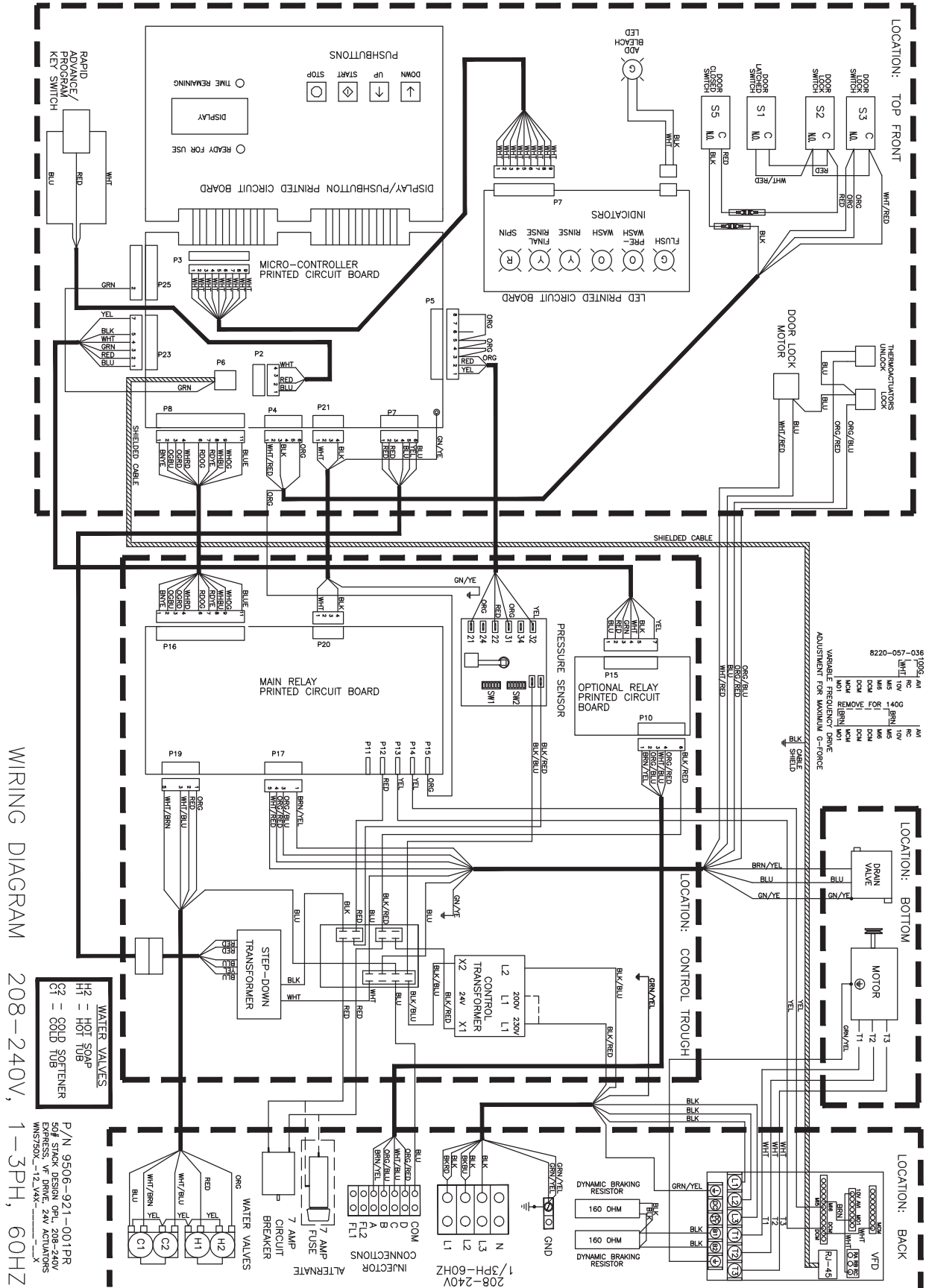
# Wiring Diagram for 60hz opl Washer



P/N 9506-800-001PR  
 50# STACK DESIGN OPL 208-240V  
 EXPRESS, VF DRIVE, 24V ACTUATORS  
 WNS7500A-12EV\_X\_X

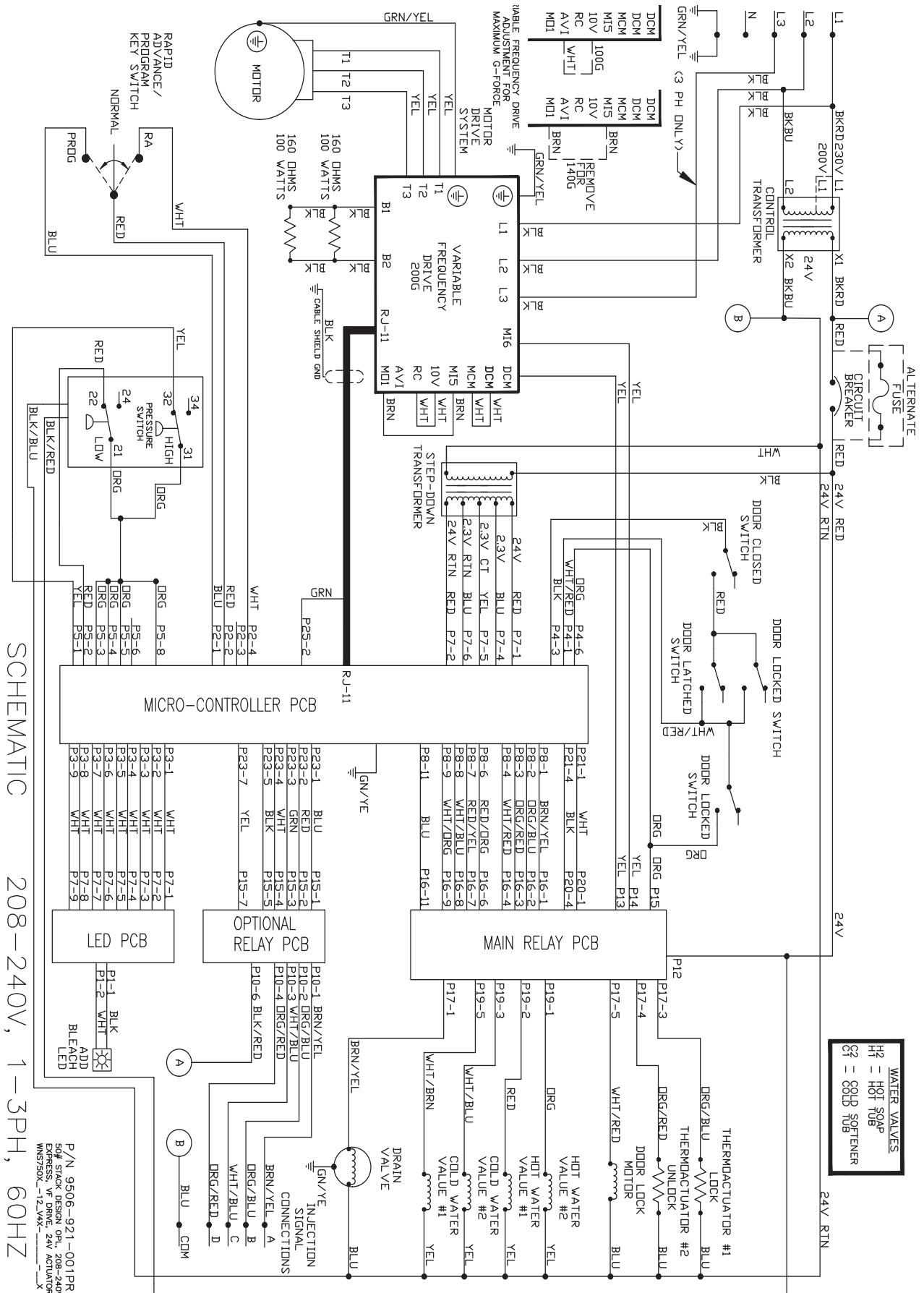
SCHEMATIC 208-240V, 1-3PH, 60HZ

# SWD T-750-12 Diagram V4





# SWD T-750-12 Schematic V4





---

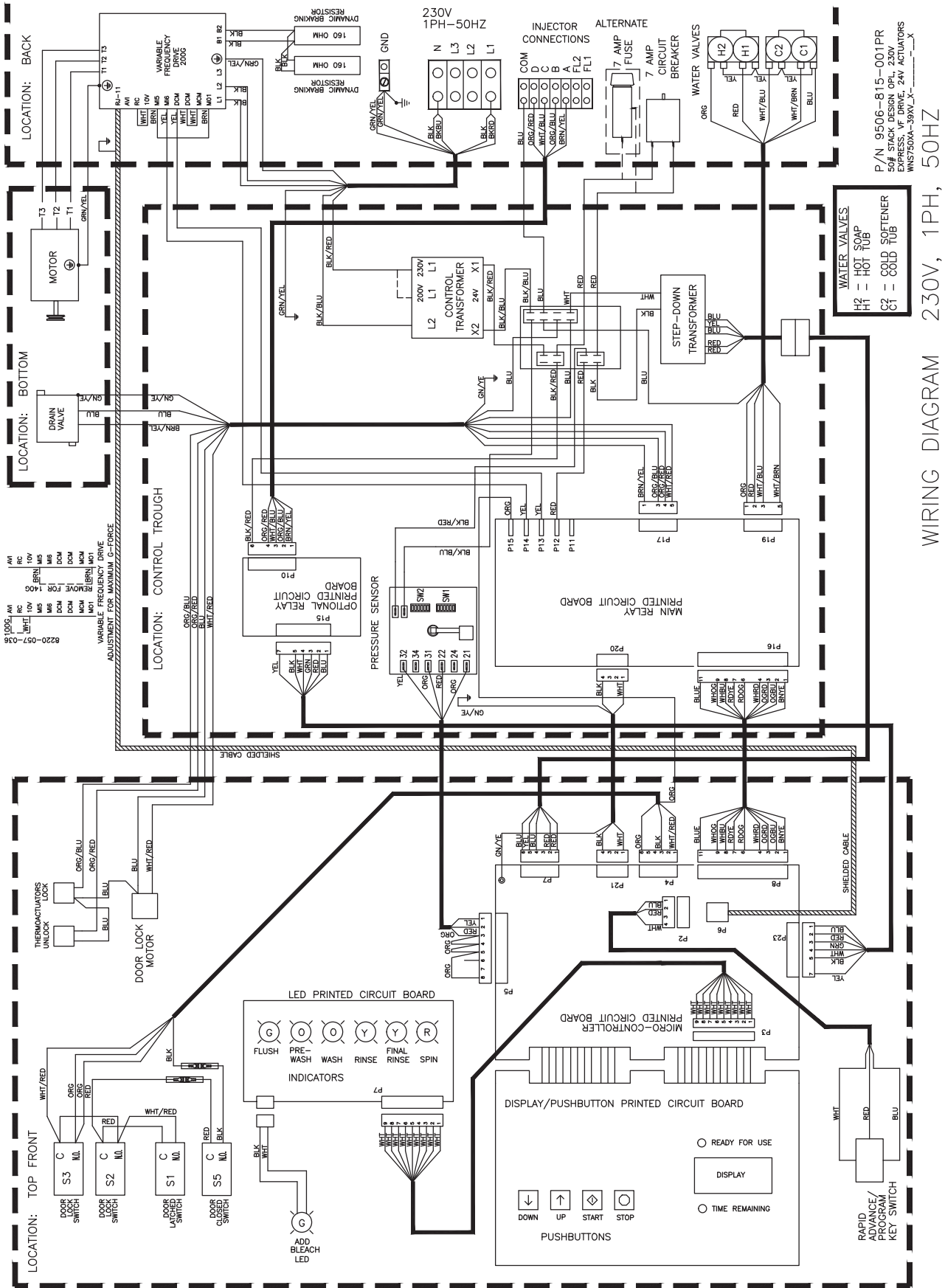
# Section: 11

## 50 Hz Washer

### Models

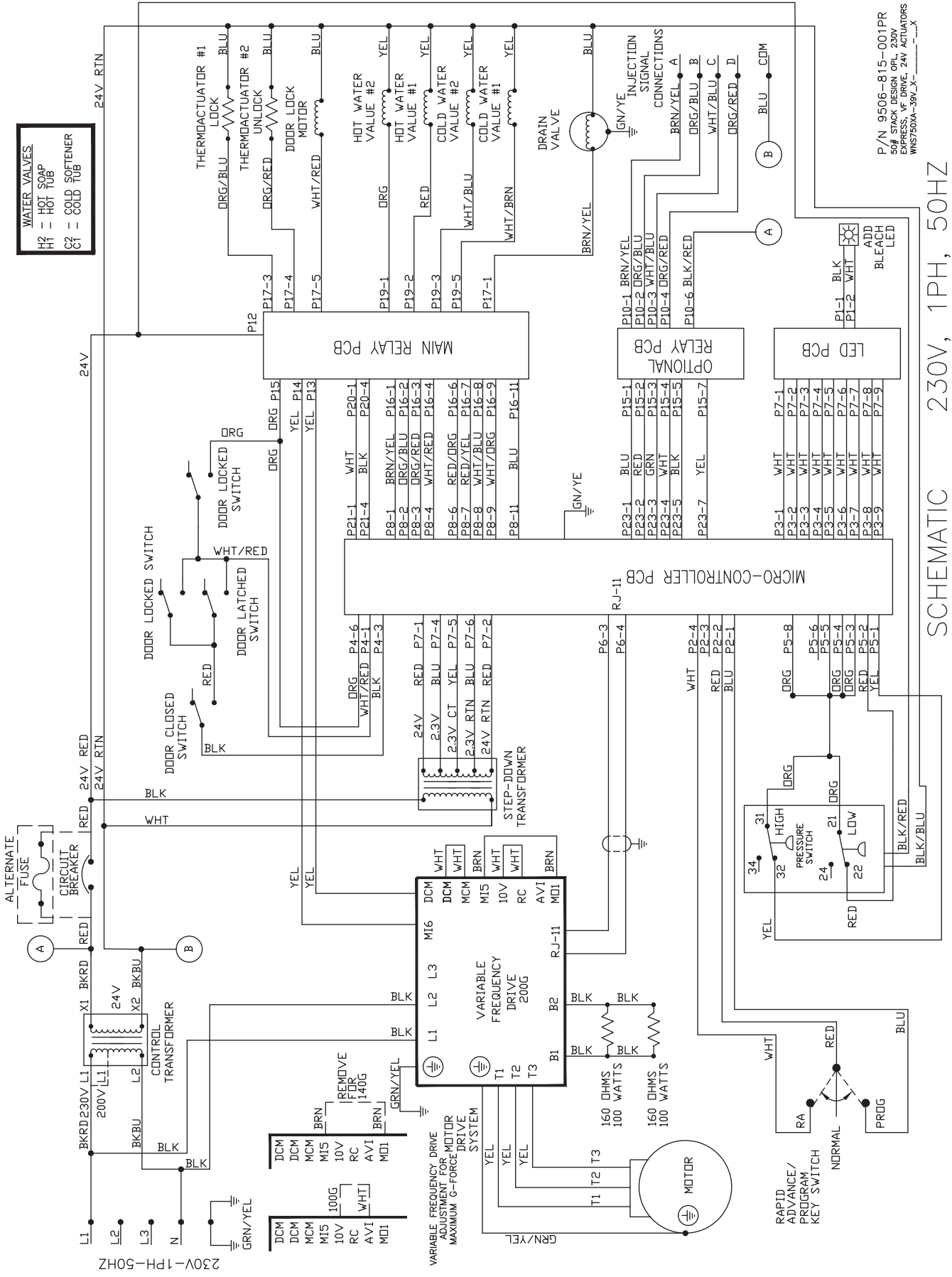
Parts in this section used only in these models. All other parts are same as standard 60 Hz pages.

# Wiring Schematic for 50hz Washer -39



P/N 9506-815-001PR  
50# STACK DESIGN OPL 230V  
EXPRESS: VF DRIVE, 24V ACTUATORS  
WNS750XA-39VL\_X

# Wiring Diagram for 50hz Washer -39

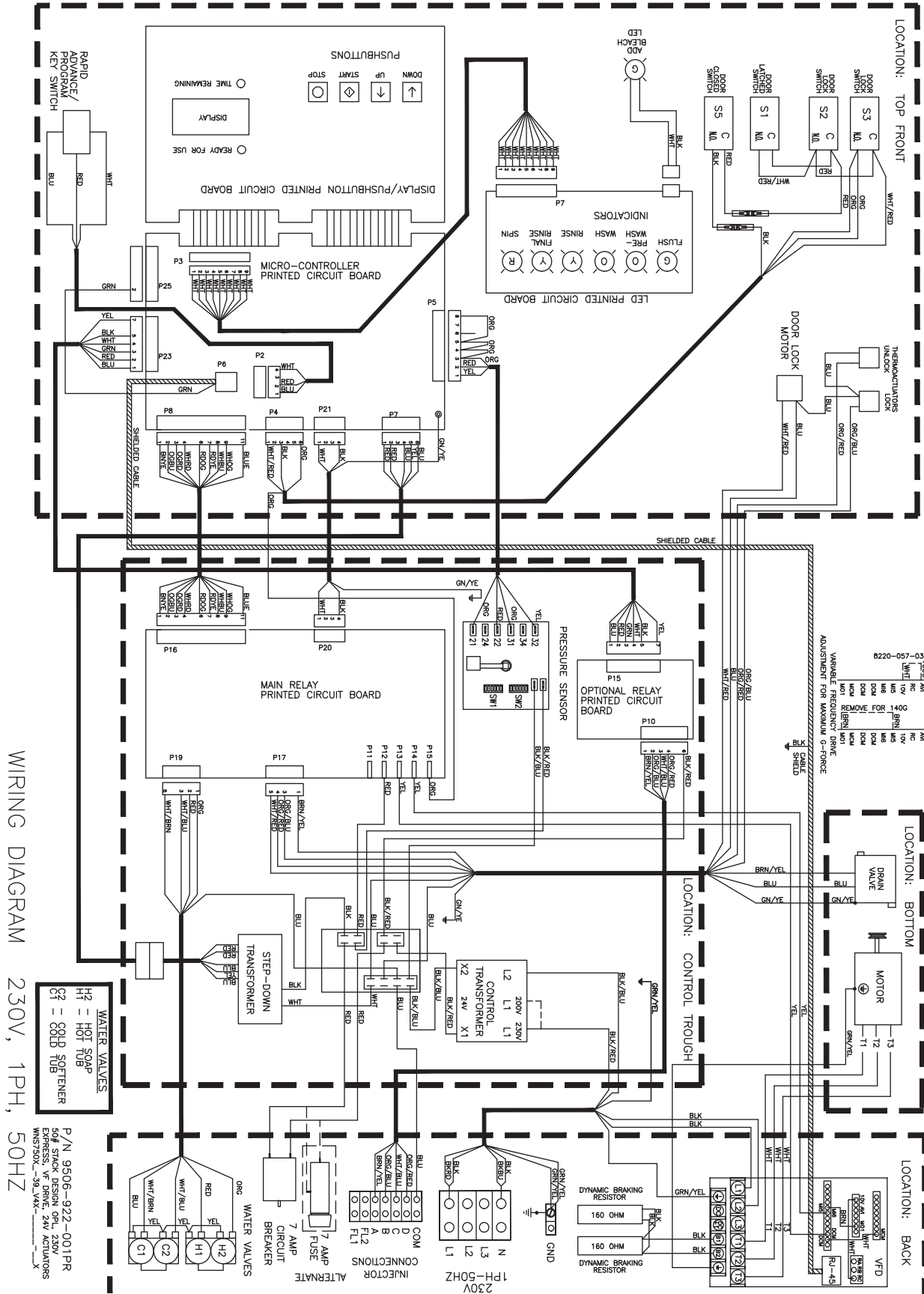


**WATER VALVES**  
 H2 - HOT SOAP  
 H1 - HOT TUB  
 C2 - COLD SOFTENER  
 C1 - COLD TUB

P/N 9506-815-001PR  
 50# STACK DESIGN OPL, 230V  
 (REV. 10/2012) DRIVE, 24V ACTUATORS  
 WNS7550A-39V2P-\_\_\_\_A

SCHEMATIC 230V, 1PH, 50HZ

# SWD T-750-39 Diagram V4



# SWD T-750-39 Schematic V4

