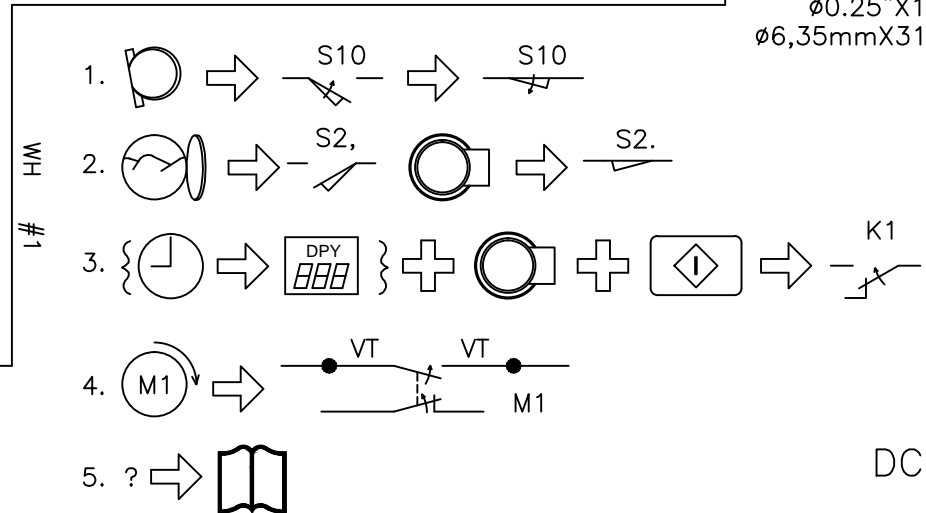
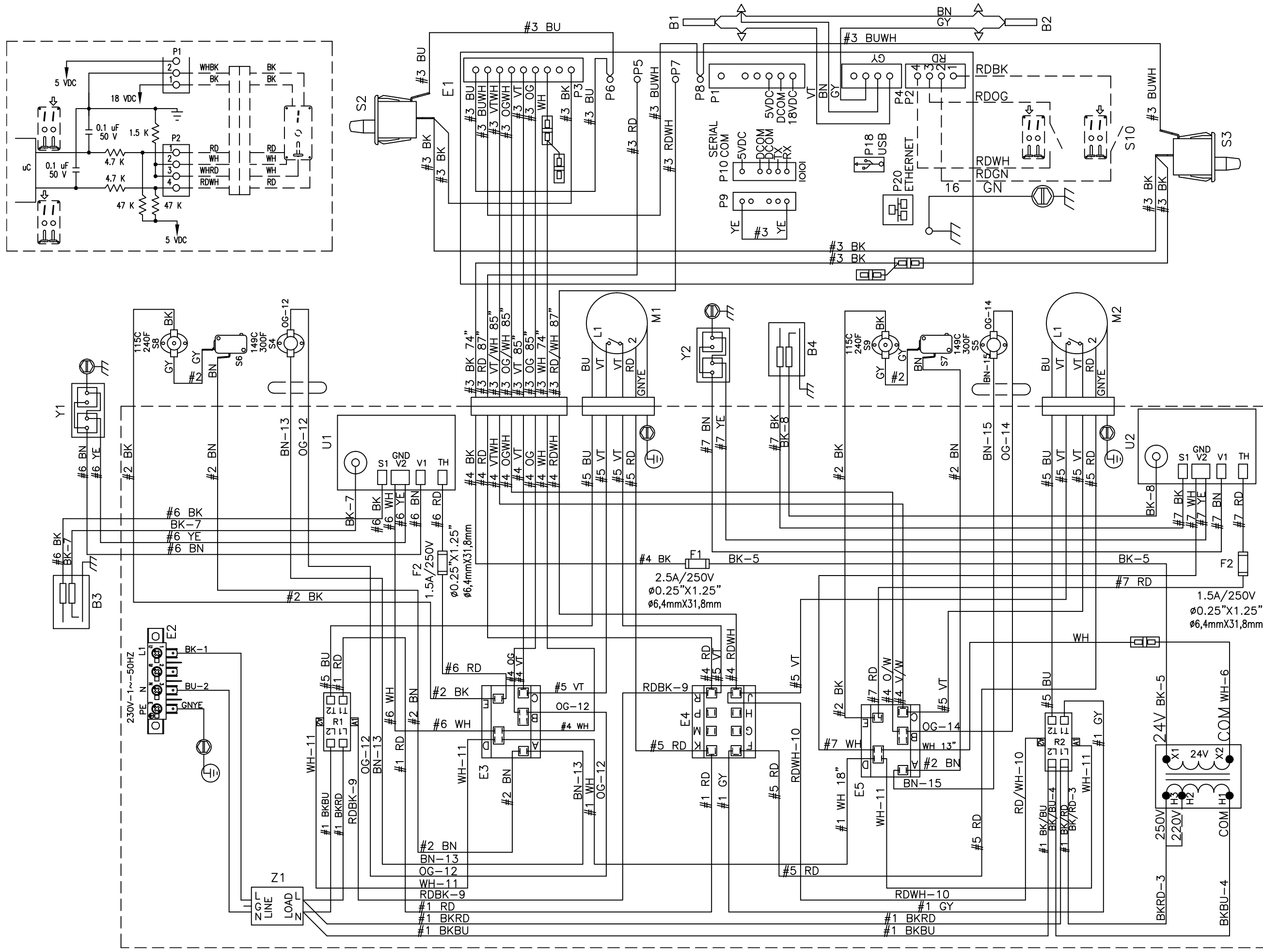


9506-646-001A

SCHEMATIC



DC30X2N_-59CC_X-_-_-_-X



9506-646-001A WIRING DIAGRAM DC30X2N-59CC_X-

RETAIN THIS ELECTRICAL DIAGRAM FOR SERVICE.